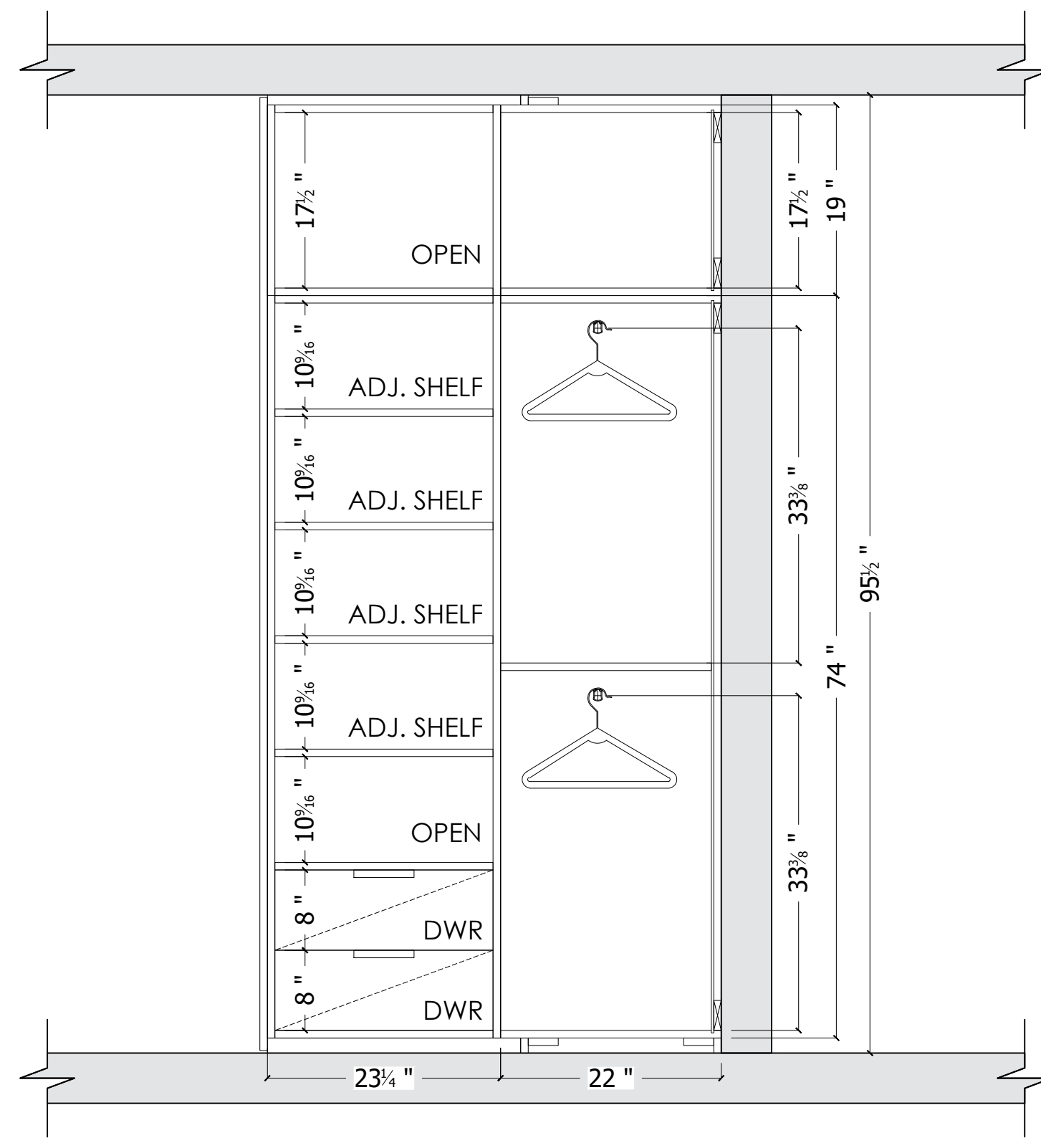
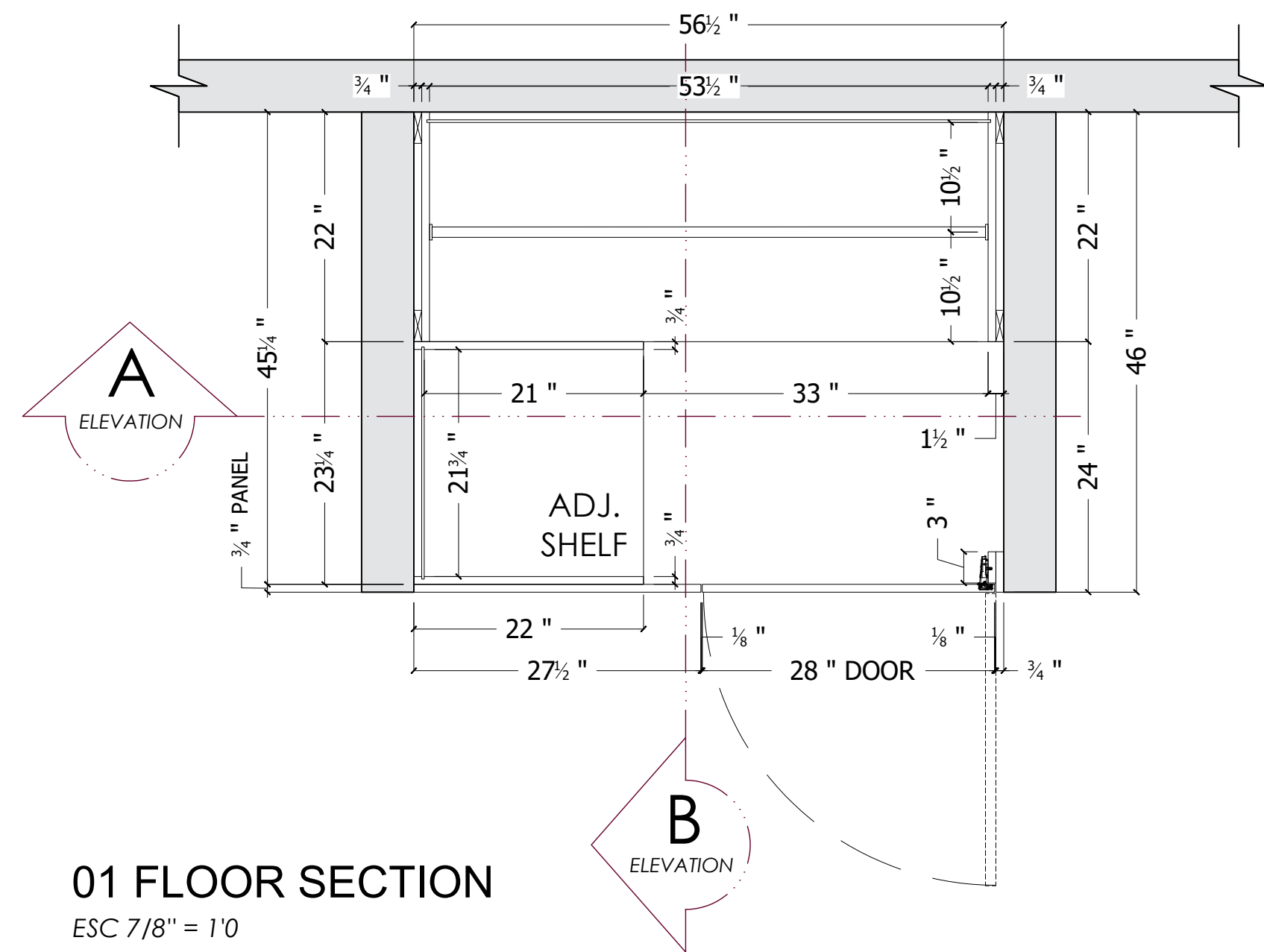


A FRONT ELEVATION
ESC 7/8" = 1'0



B FRONT ELEVATION
ESC 7/8" = 1'0



01 FLOOR SECTION
ESC 7/8" = 1'0

CAD Drafter
GRdesignLLC

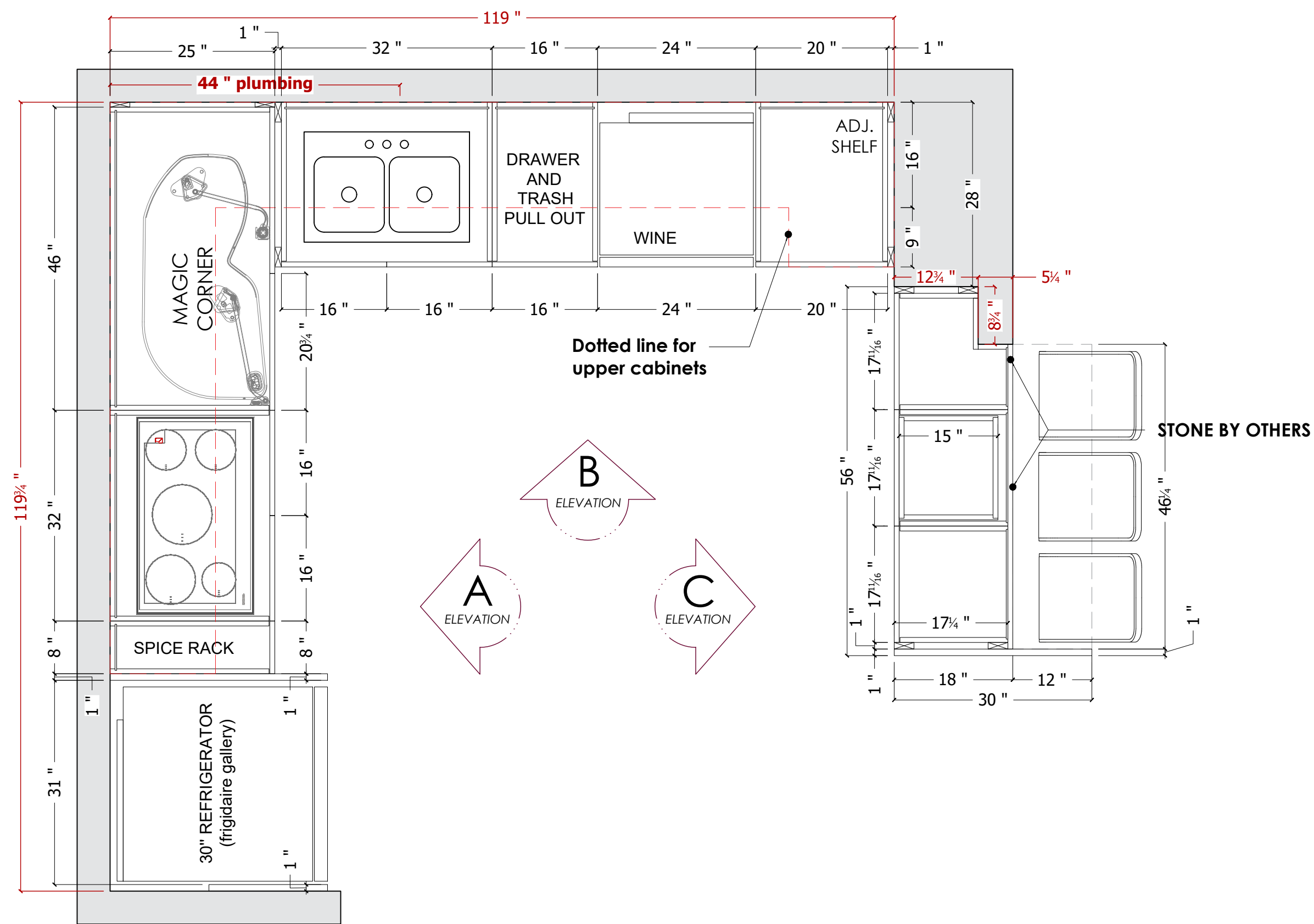
PROJECT:
XXXXXXXXXXXXXXXXXXXXXXXXXXXX

SHEET TITLE:
CLOSET

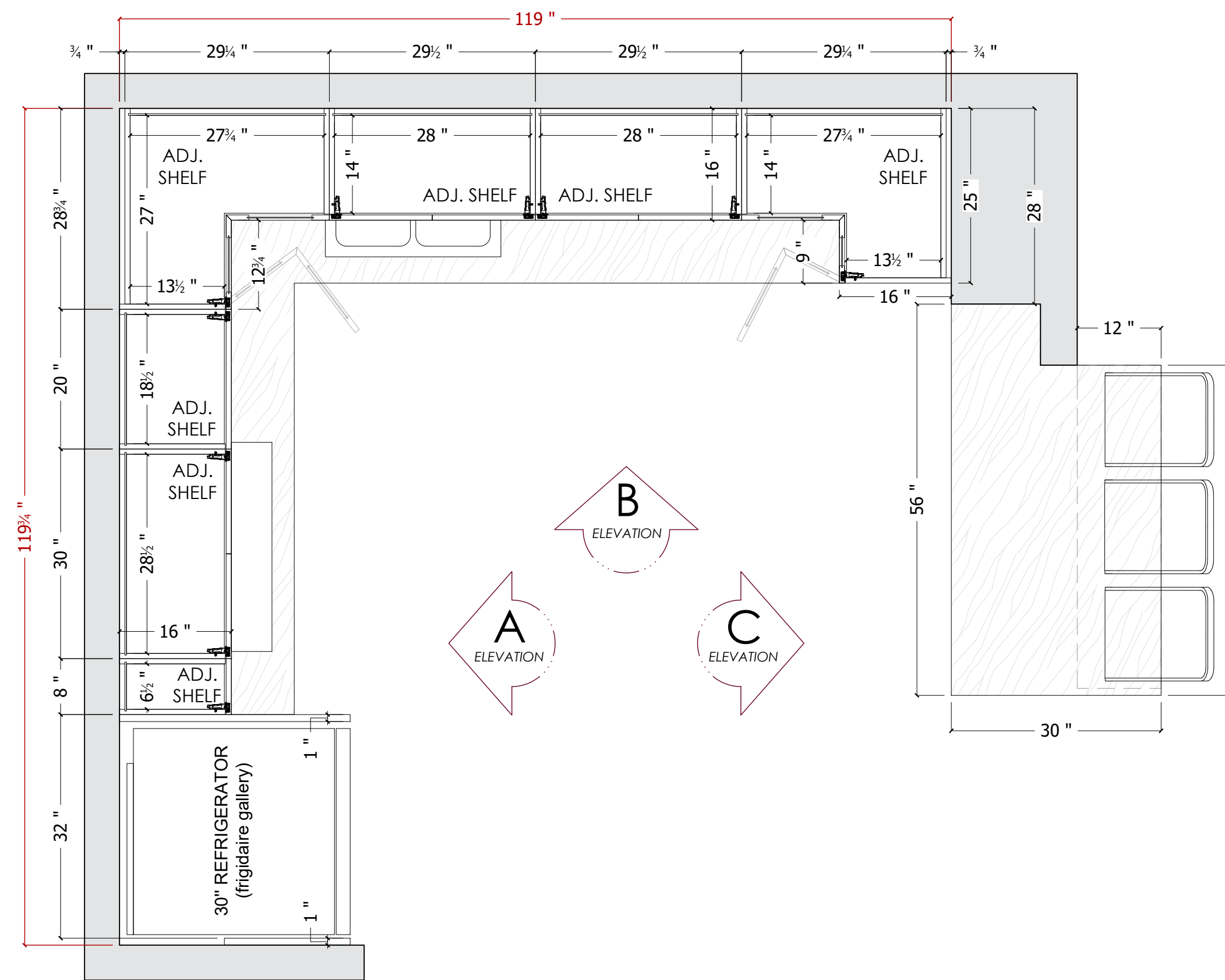
EXTERIOR AND INTERIOR:

HARDWARE:
TO BE SELECTED

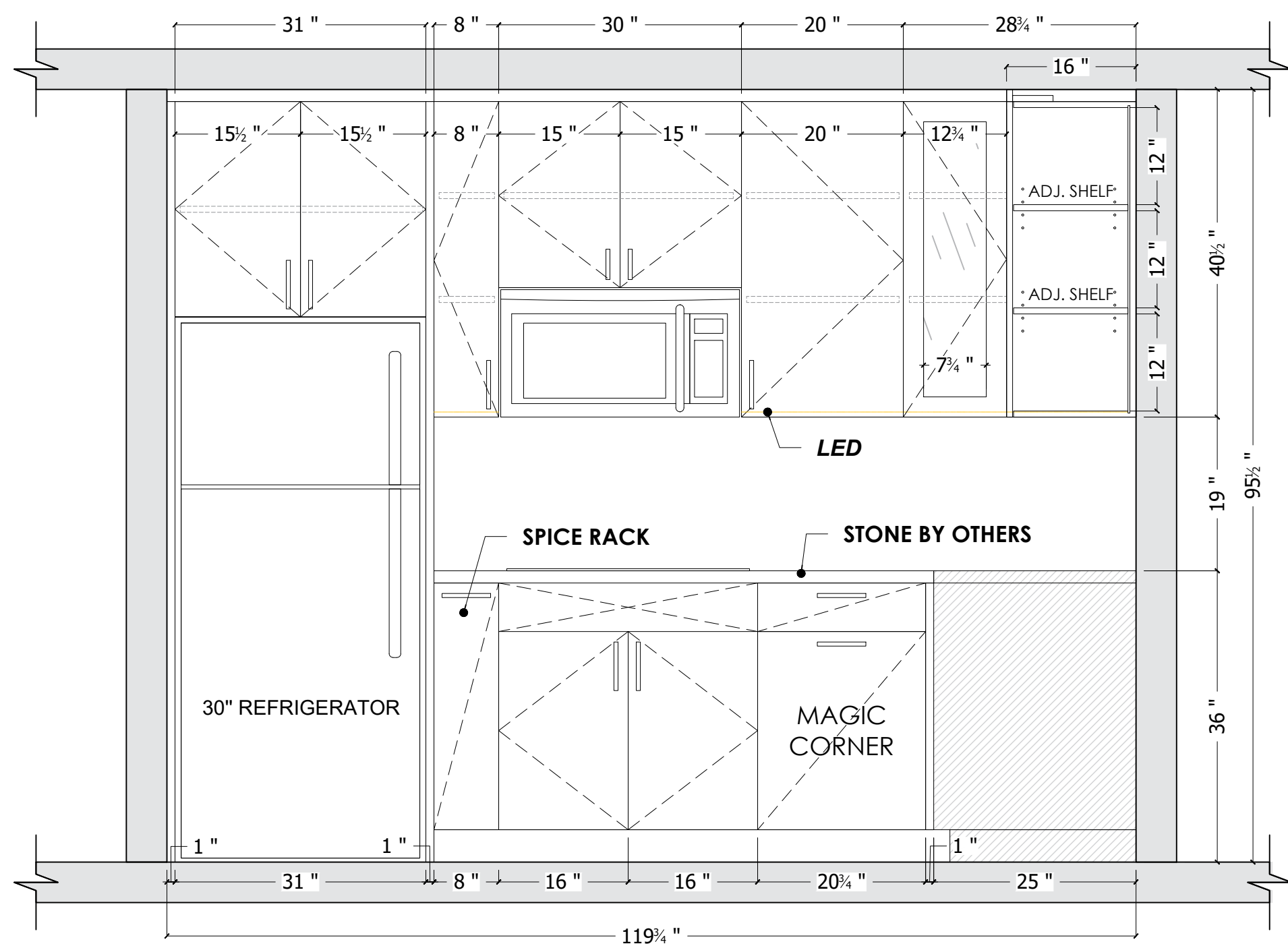
UNIT 01
ESC. 7/8" = 1'0



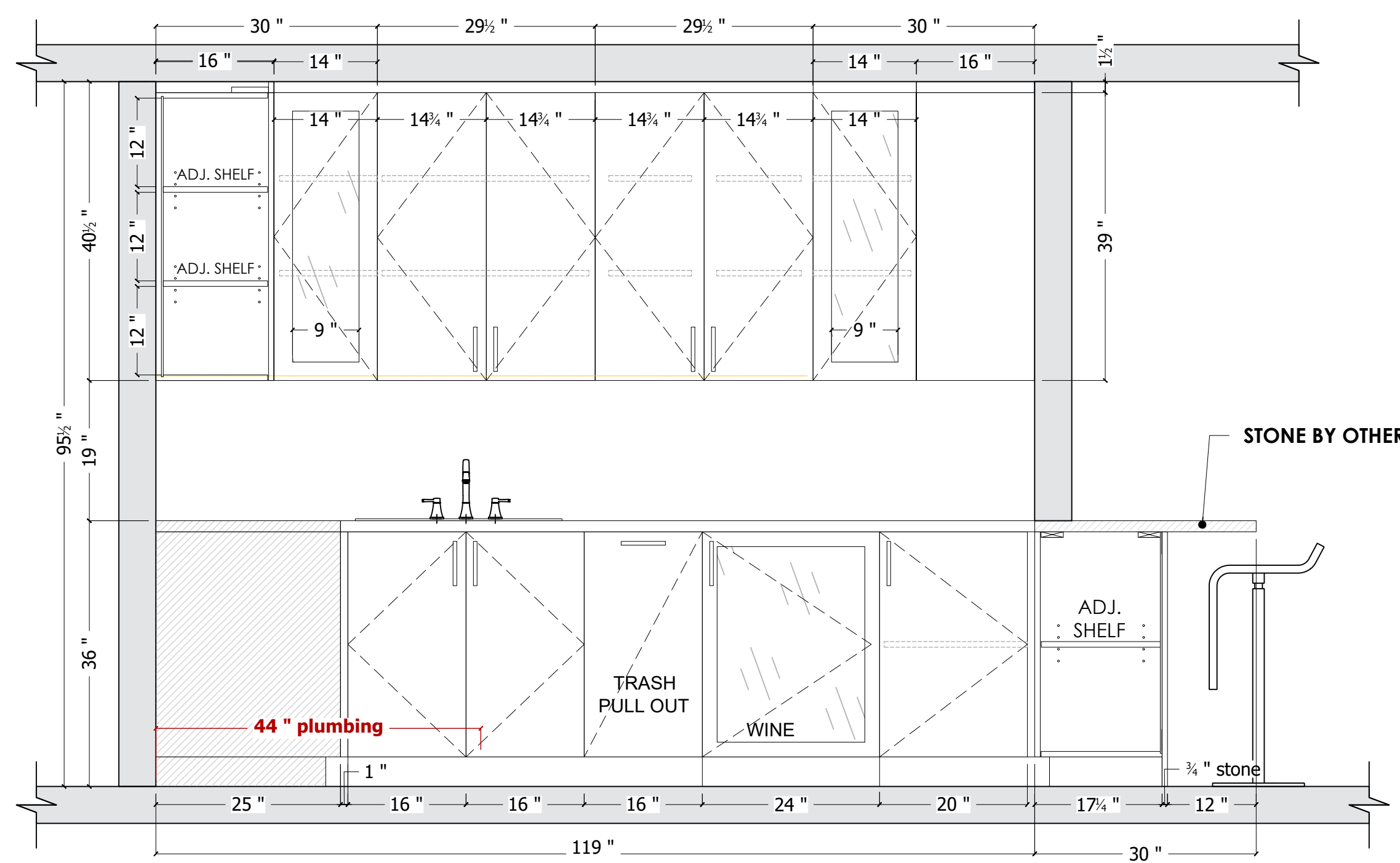
BOTTOM SECTION
ESC 3/4" = 1'0"



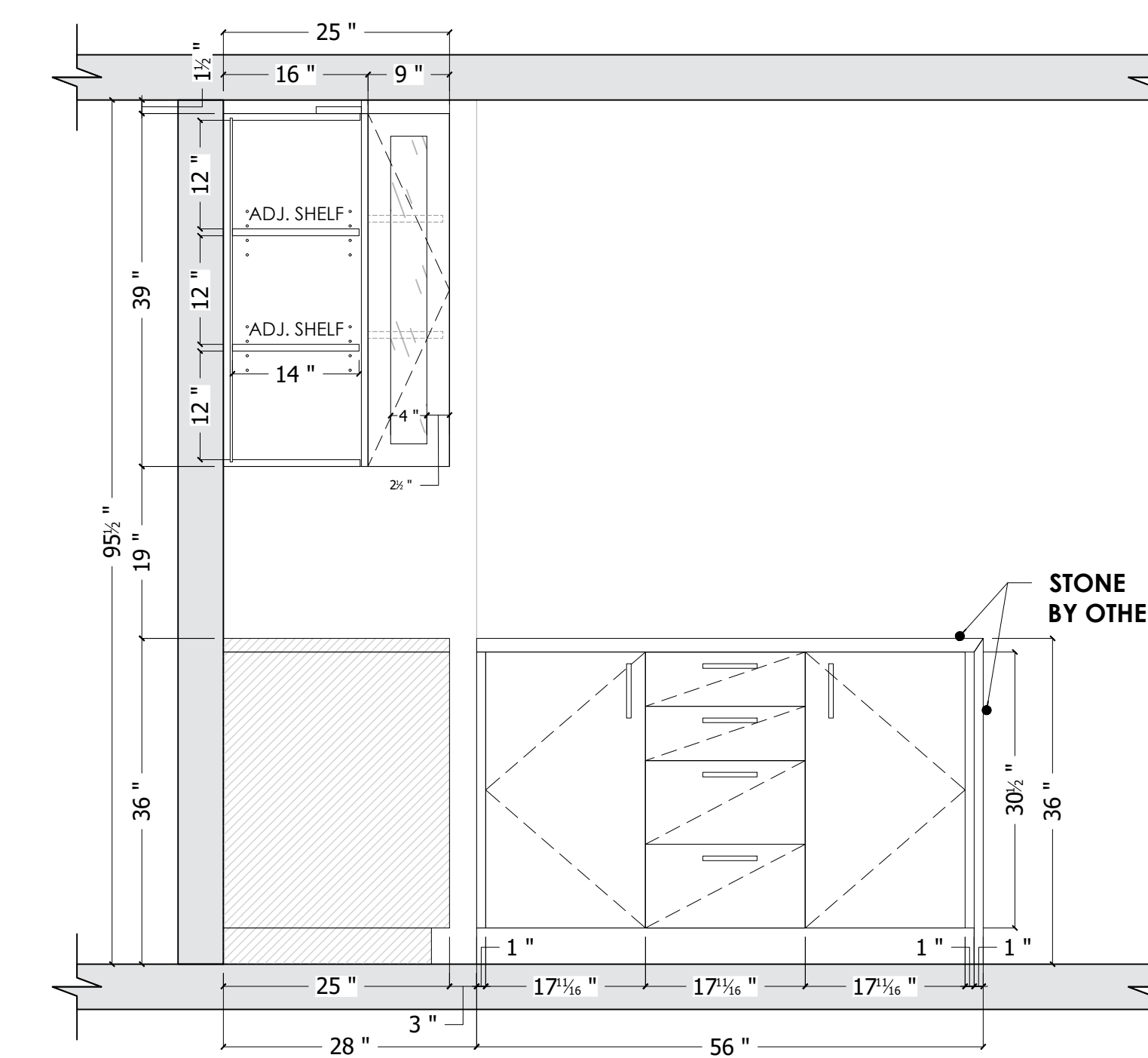
UPPER SECTION
ESC 3/4" = 1'0"



A FRONT ELEVATION
ESC 3/4" = 1'0"



B FRONT ELEVATION
ESC 3/4" = 1'0"



C FRONT ELEVATION
ESC 3/4" = 1'0"

CAD Drafter
GRdesignLLC

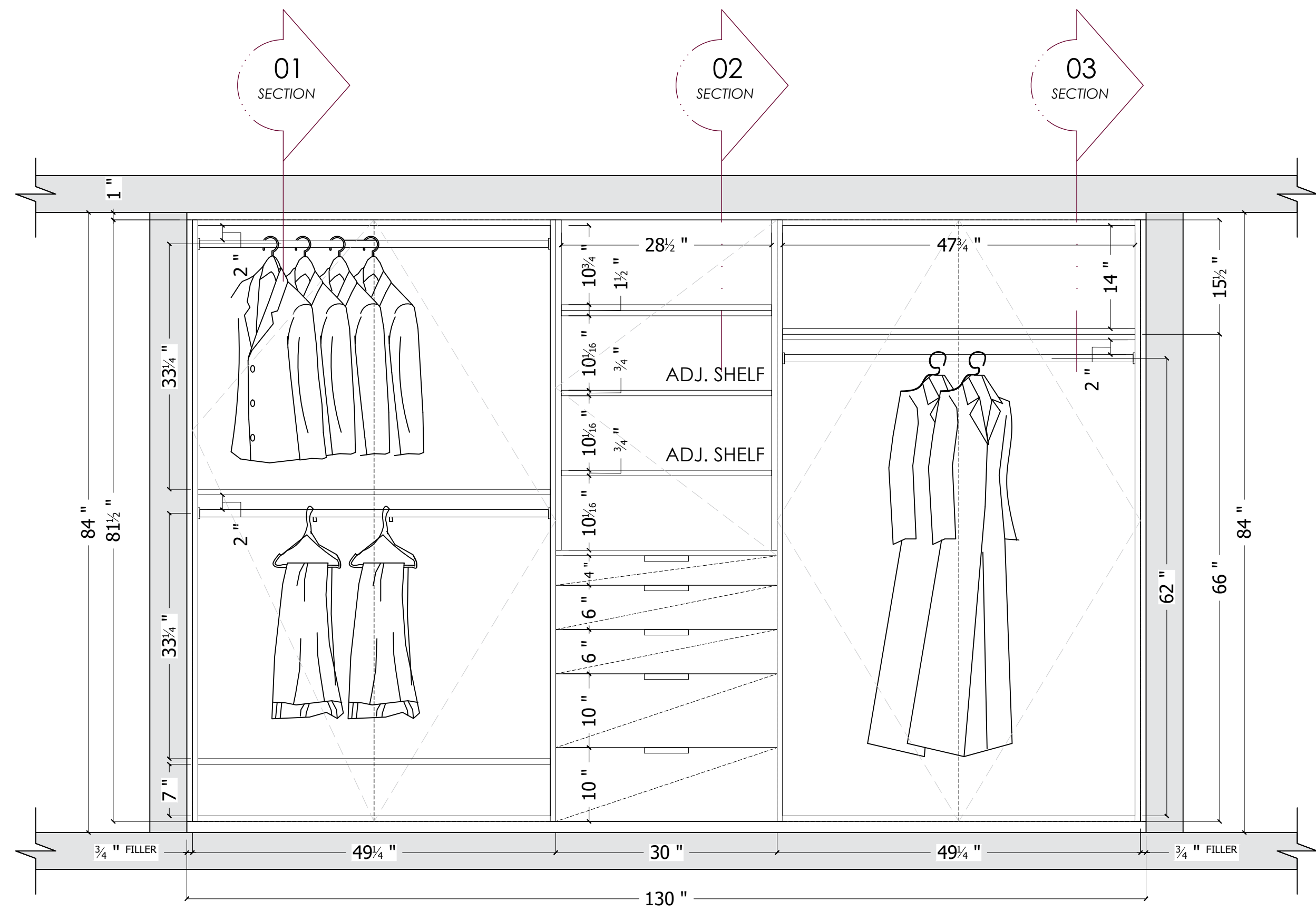
PROJECT:
XXXXXXXXXXXXXXXXXXXXXXXXXXXX

SHEET TITLE:
KITCHEN

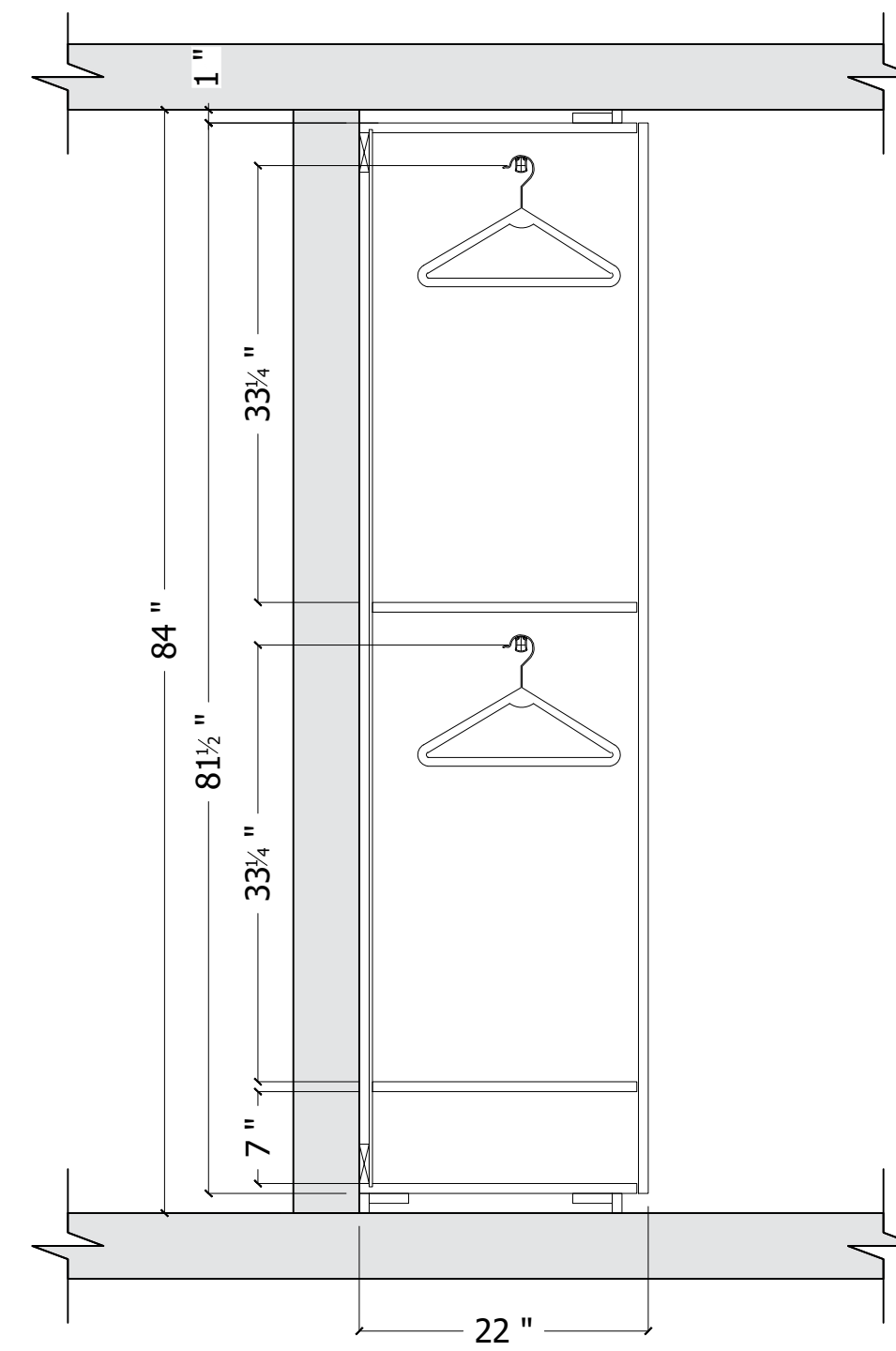
EXTERIOR AND INTERIOR:

HARDWARE:
TO BE SELECTED

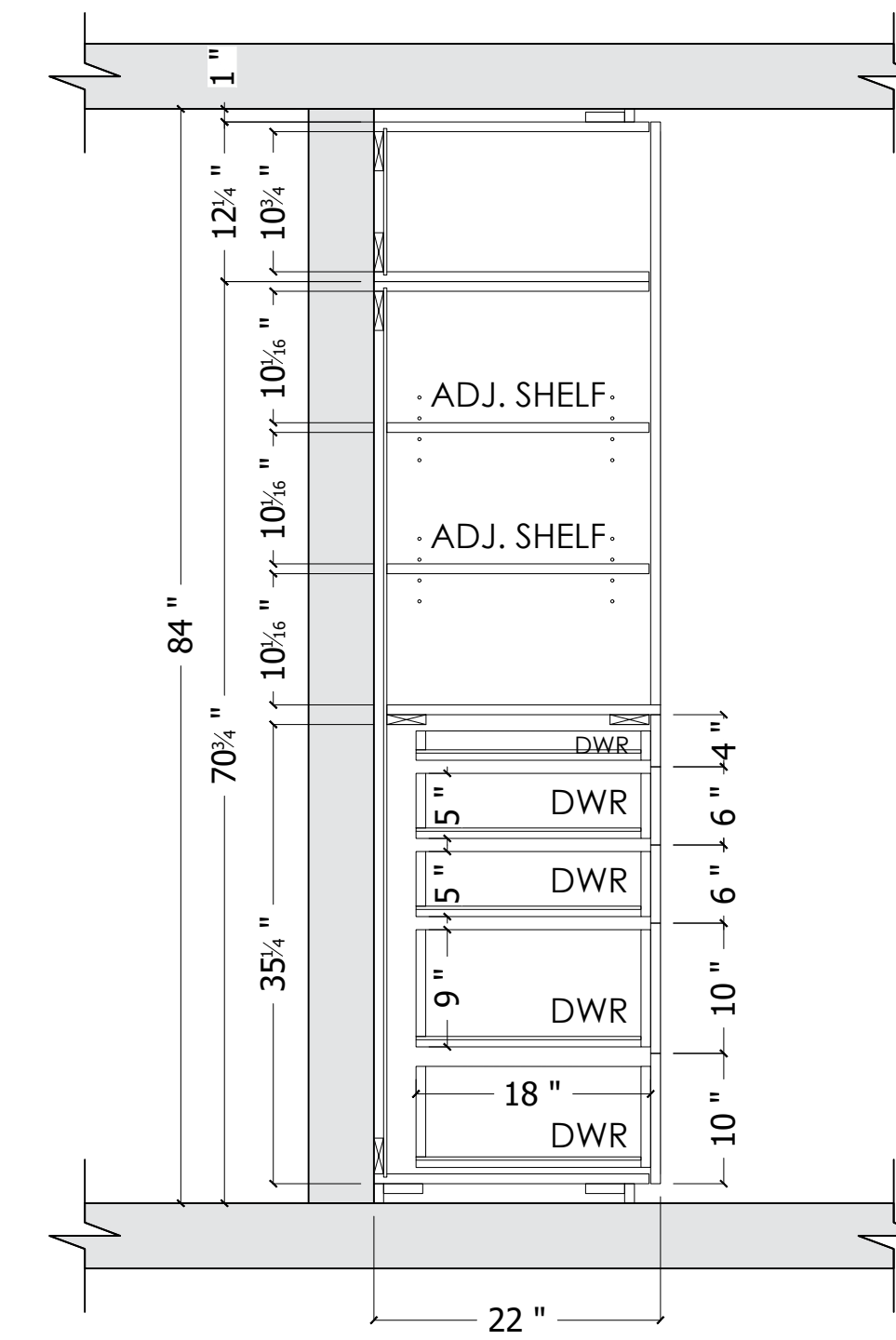
UNIT 02
ESC. 3/4" = 1'0"



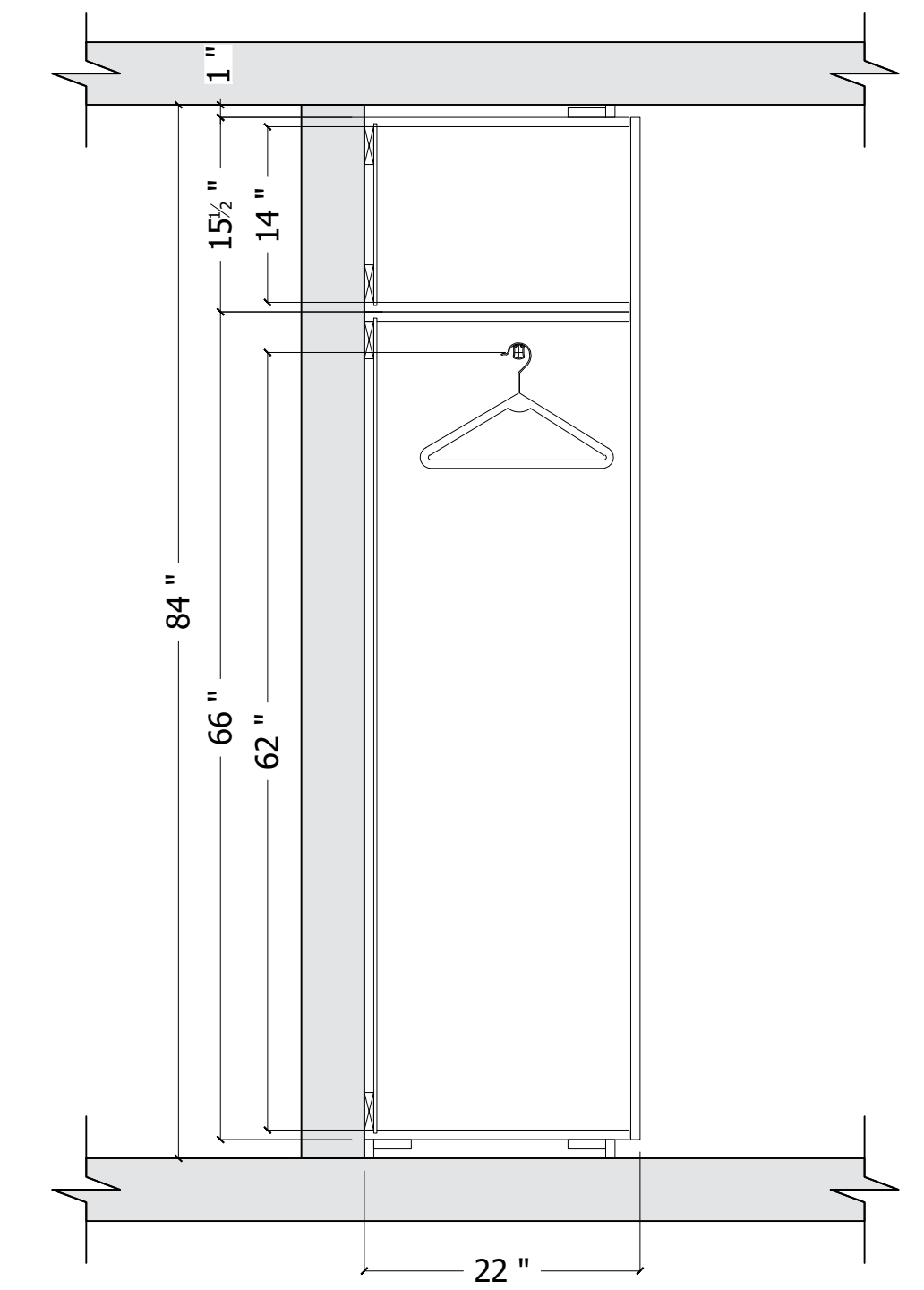
A FRONT ELEVATION
ESC 7/8" = 1'0"



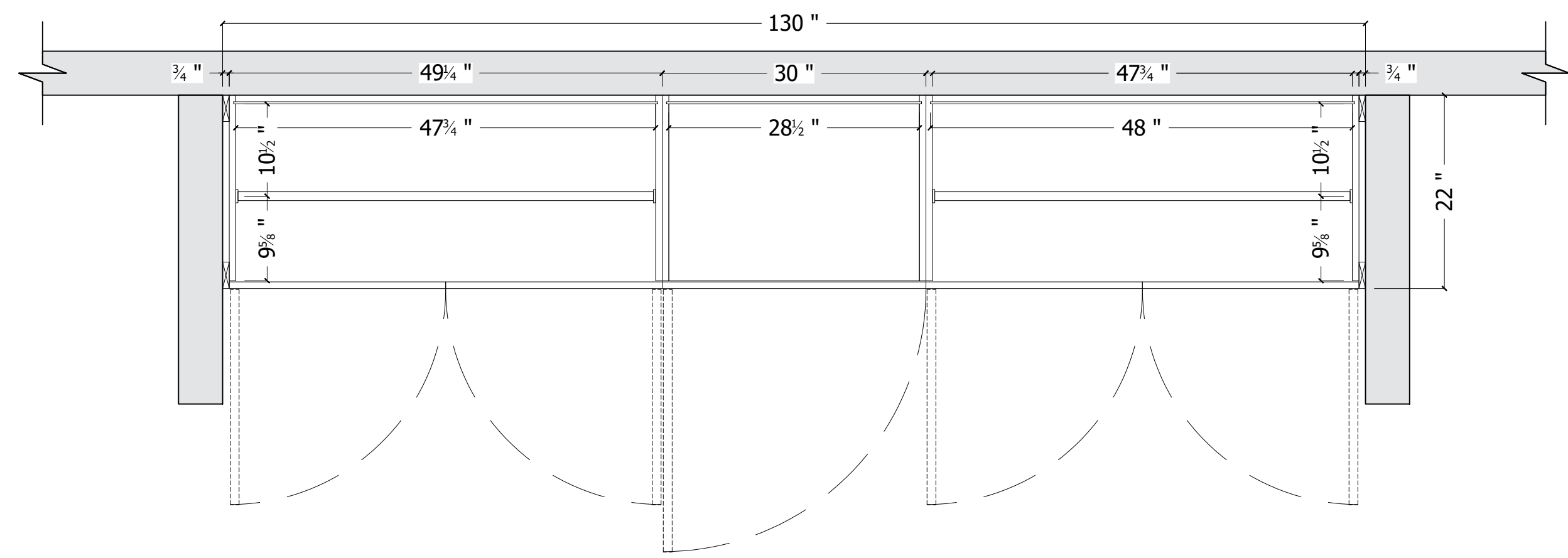
01 SECTION
ESC 7/8" = 1'0"



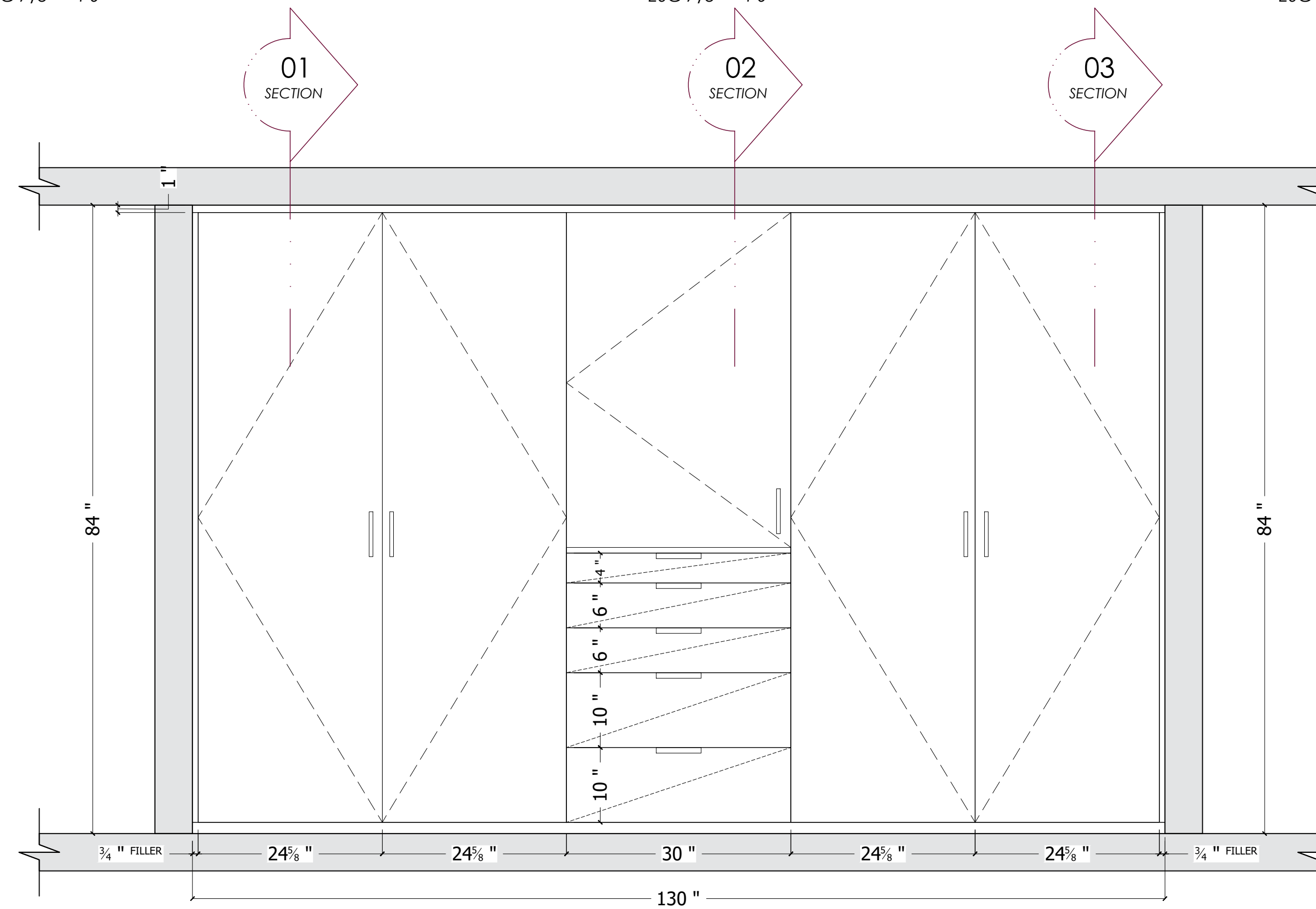
02 SECTION
ESC 7/8" = 1'0"



03 SECTION
ESC 7/8" = 1'0"



01 FLOOR SECTION
ESC 7/8" = 1'0"



A FRONT ELEVATION - DOORS
ESC 7/8" = 1'0"

CAD Drafter
GRdesignLLC

PROJECT:
XXXXXXXXXXXXXXXXXXXXXXXXXXXX

SHEET TITLE:
CLOSET #2

EXTERIOR AND INTERIOR:

HARDWARE:
TO BE SELECTED

UNIT 03
ESC. 7/8" = 1'0"