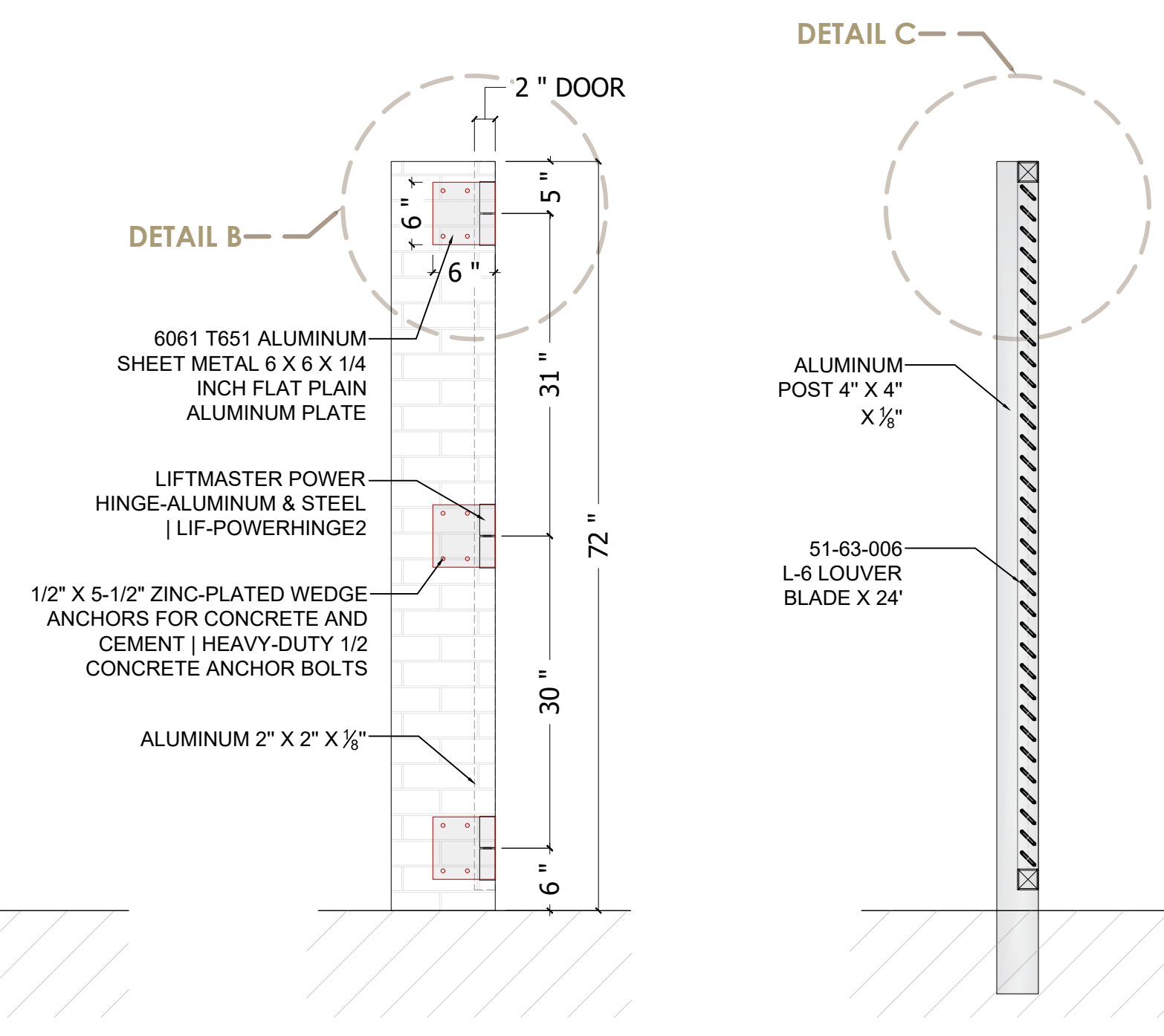
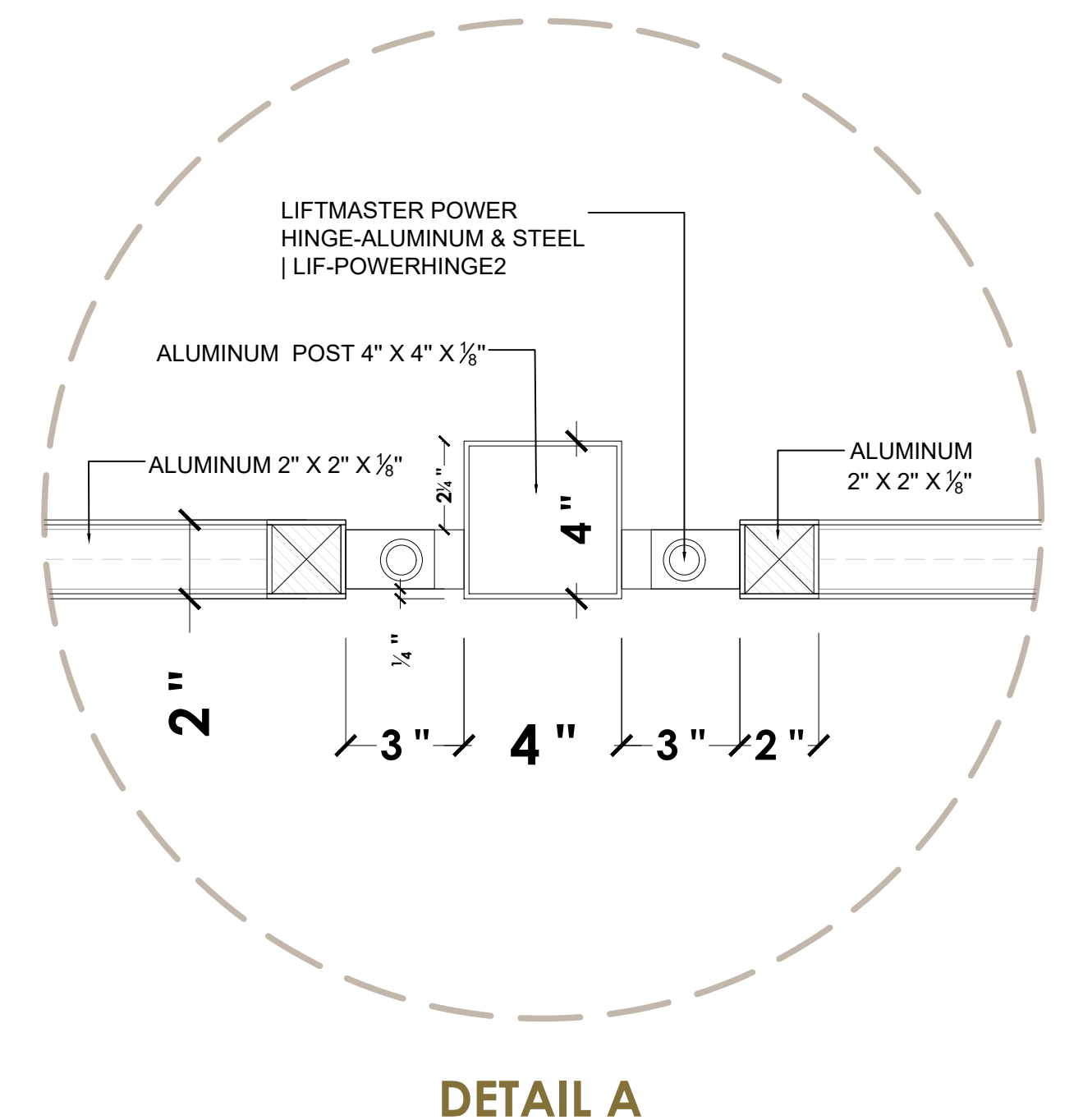


**FRONT ELEVATION**  
ESC 7/8" = 1'0"

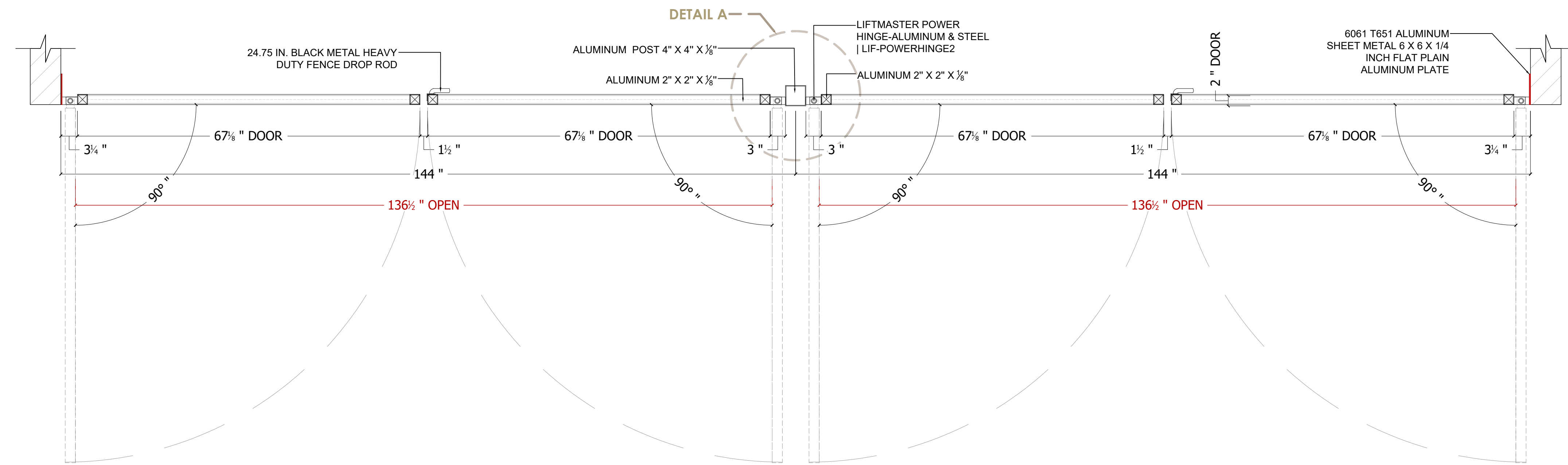


**SECTION**  
ESC 7/8" = 1'0"

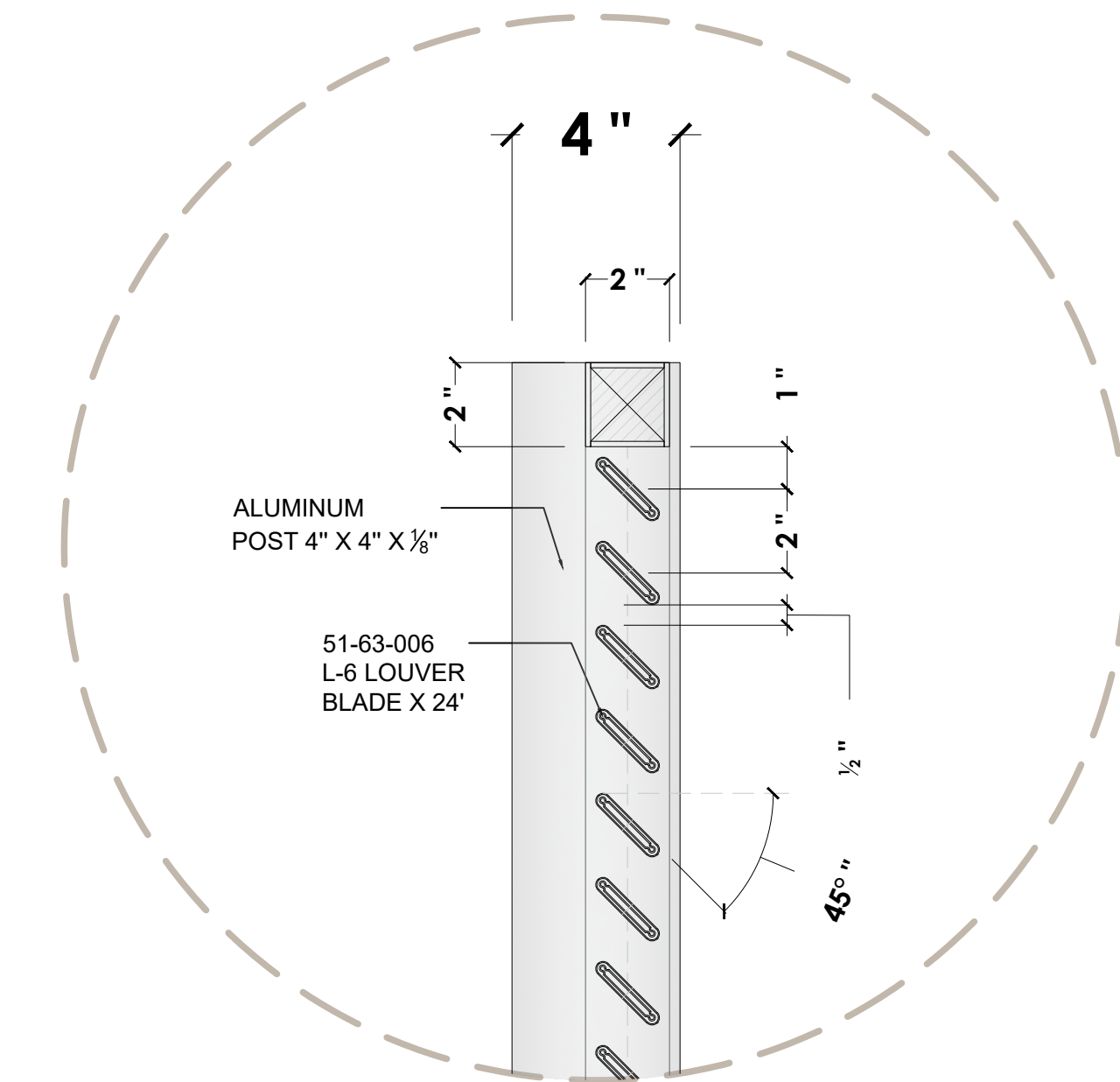
**SECTION**  
ESC 7/8" = 1'0"



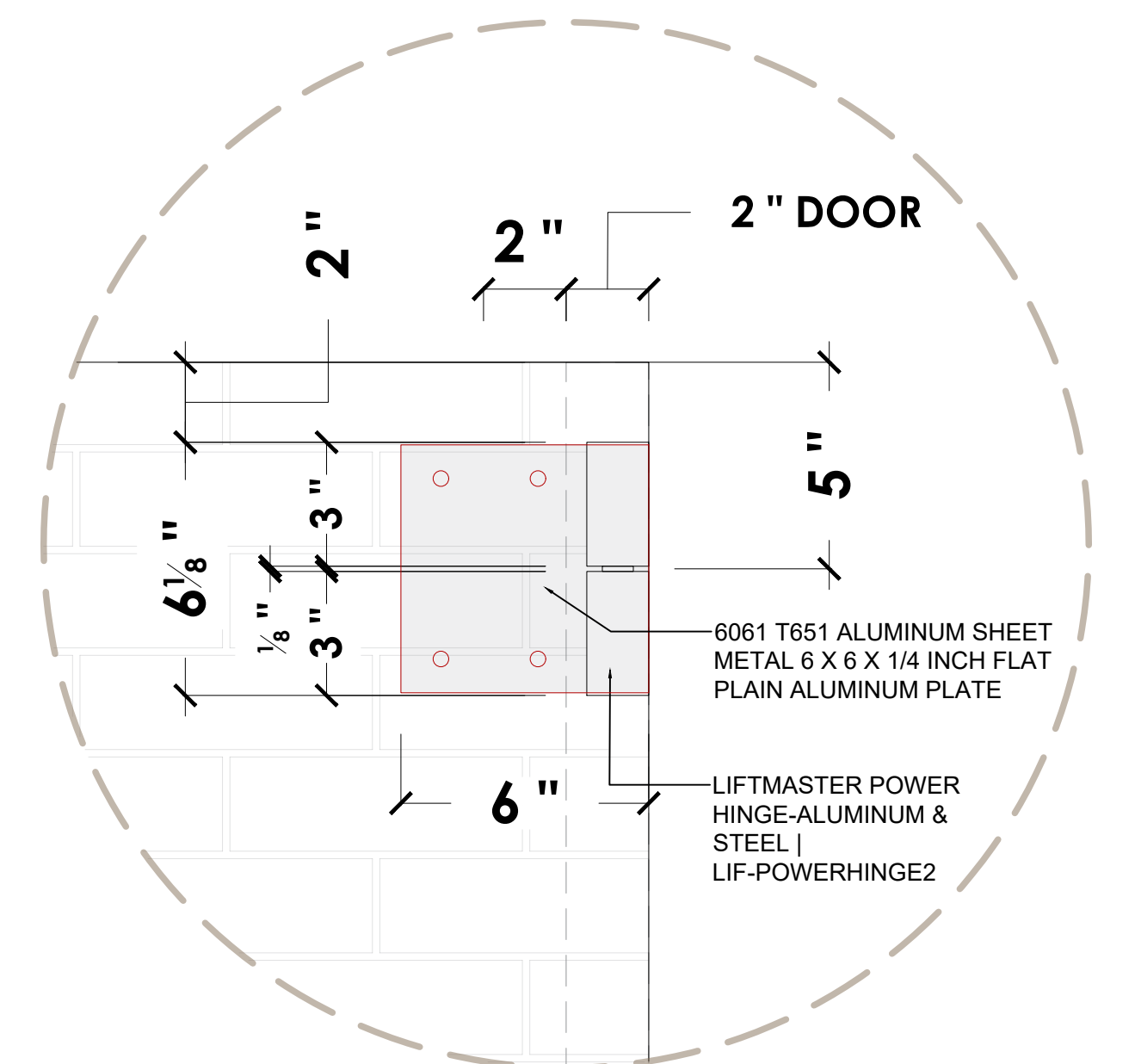
**DETAIL A**  
ESC. 3" = 1'0"



**UPPER SECTION**  
ESC 7/8" = 1'0"



**DETAIL C**  
ESC. 3" = 1'0"



**DETAIL B**  
ESC. 3" = 1'0"

XXXXXXXXXXXXXXXXXX

**PROJECT NAME & LOCATION:**

XXXXXXXXXXXXXXXXXXXXXXXXXXXX  
XXXXXXXXXXXXXXXXXXXXXXXXXXXX

**SHEET TITLE:**

DUMPSTER ENCLOSURE

**SCOPE OF WORK:**

- 4 DOORS

Finish: Black powder coated

CAD Drafter  
GRdesignLLC

SHEET #

01A

## SPECIFICATIONS

**SIDE VIEW**  
6.125"  
.75"  
3"

**TOP VIEW**  
2.25"  
1.5"  
3"  
.625"

Power Hinges™ are perfect for heavy wrought iron gates as well as other industrial applications.

**\* POWER HINGE SAFETY FEATURE**

<p><b>CONVENTIONAL HINGE</b></p> <p><b>NO GAP</b> With conventional square hinges, when the gate opens 90° it hits the post causing wear and tear on the post. This may also cause human hand injury.</p> <p style="text-align: center;">TOP VIEW</p>	<p><b>POWER HINGE™</b></p> <p><b>3/4" GAP</b> Because of the Power Hinge's™ unique shape, the gate never hits the post. When the gate opens to 90°, the hinge is 3/4" away from the post.</p> <p style="text-align: center;">TOP VIEW</p>
---	---

6061 T651 ALUMINUM SHEET METAL 6 X 6 X 1/4 INCH FLAT PLAIN ALUMINUM PLATE

8"  
200mm  
1 1/8"  
29mm  
19mm  
4mm  
6 3/4"  
170mm  
12mm

**Material: Aluminum**  
**Surface Treatment: none**  
**Product size: 200x170x48mm**  
**Thickness: 4mm**  
**Net weight: 935g (2.06 lb)**

8" WELDABLE SLIDE BOLT GATE LATCH, HEAVY DUTY WELD ON BARREL LATCH FOR ALUMINUM DOOR.

2 PACK

6.01inch/153MM

6.01inch/153MM

6061 T651 ALUMINUM SHEET METAL 6 X 6 X 1/4 INCH FLAT PLAIN ALUMINUM PLATE

2.000

.312

51-63-006 L-6 LOUVER BLADE X 24'

24.75 IN. BLACK METAL HEAVY DUTY FENCE DROP ROD

1/2" DIAMETER

25 QTY / CART

ZINC

5-1/2" LENGTH

1/2" X 5-1/2" ZINC-PLATED WEDGE ANCHORS FOR CONCRETE AND CEMENT | HEAVY-DUTY 1/2 CONCRETE ANCHOR BOLTS

XXXXXXXXXXXXXXXX

**PROJECT NAME & LOCATION:**  
XXXXXXXXXXXXXXXXXXXXXXXXXXXX  
XXXXXXXXXXXXXXXXXXXXXXXXXXXX

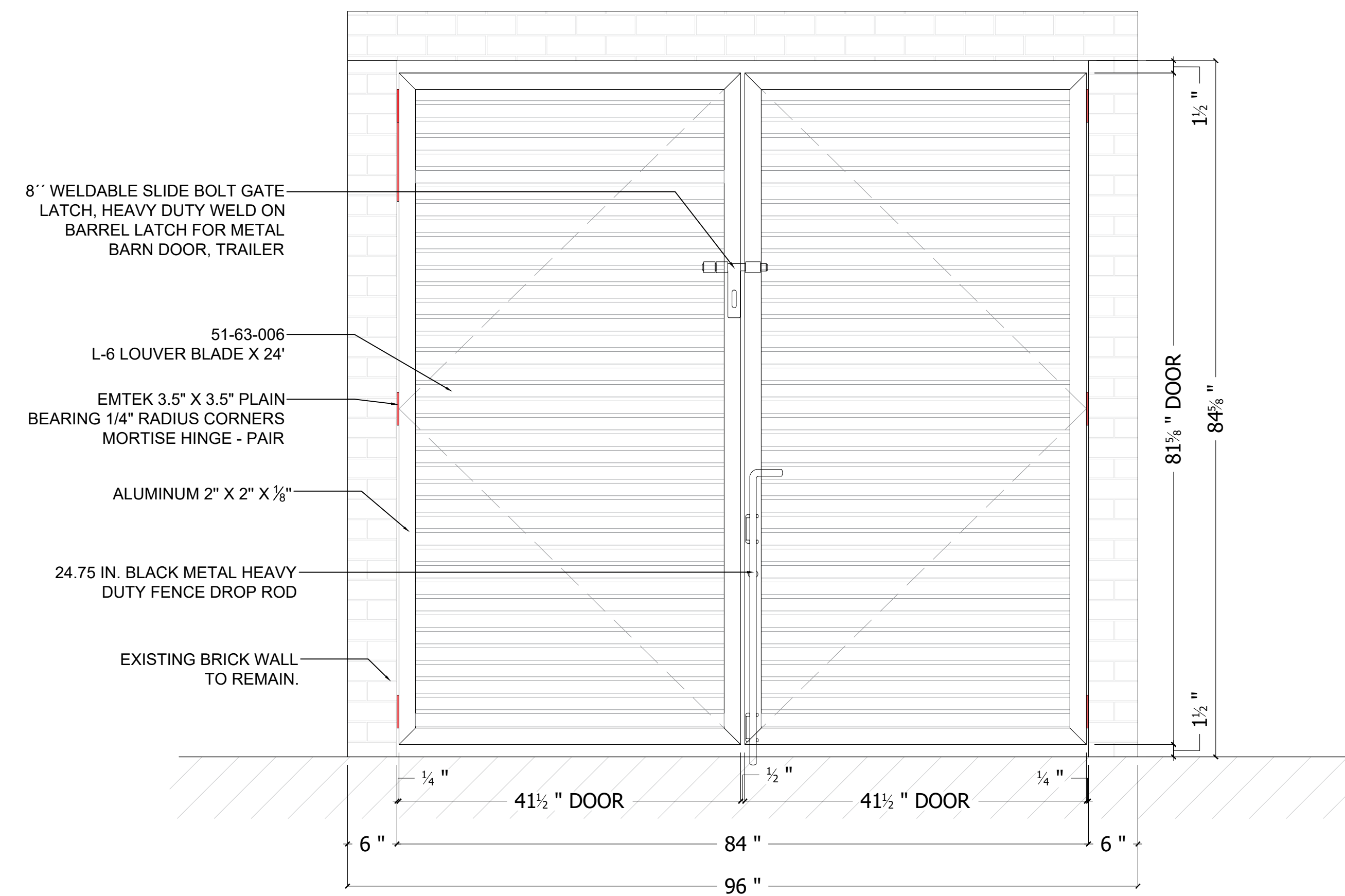
**SHEET TITLE:**  
DOORS

**SCOPE OF WORK:**  
- 4 DOORS

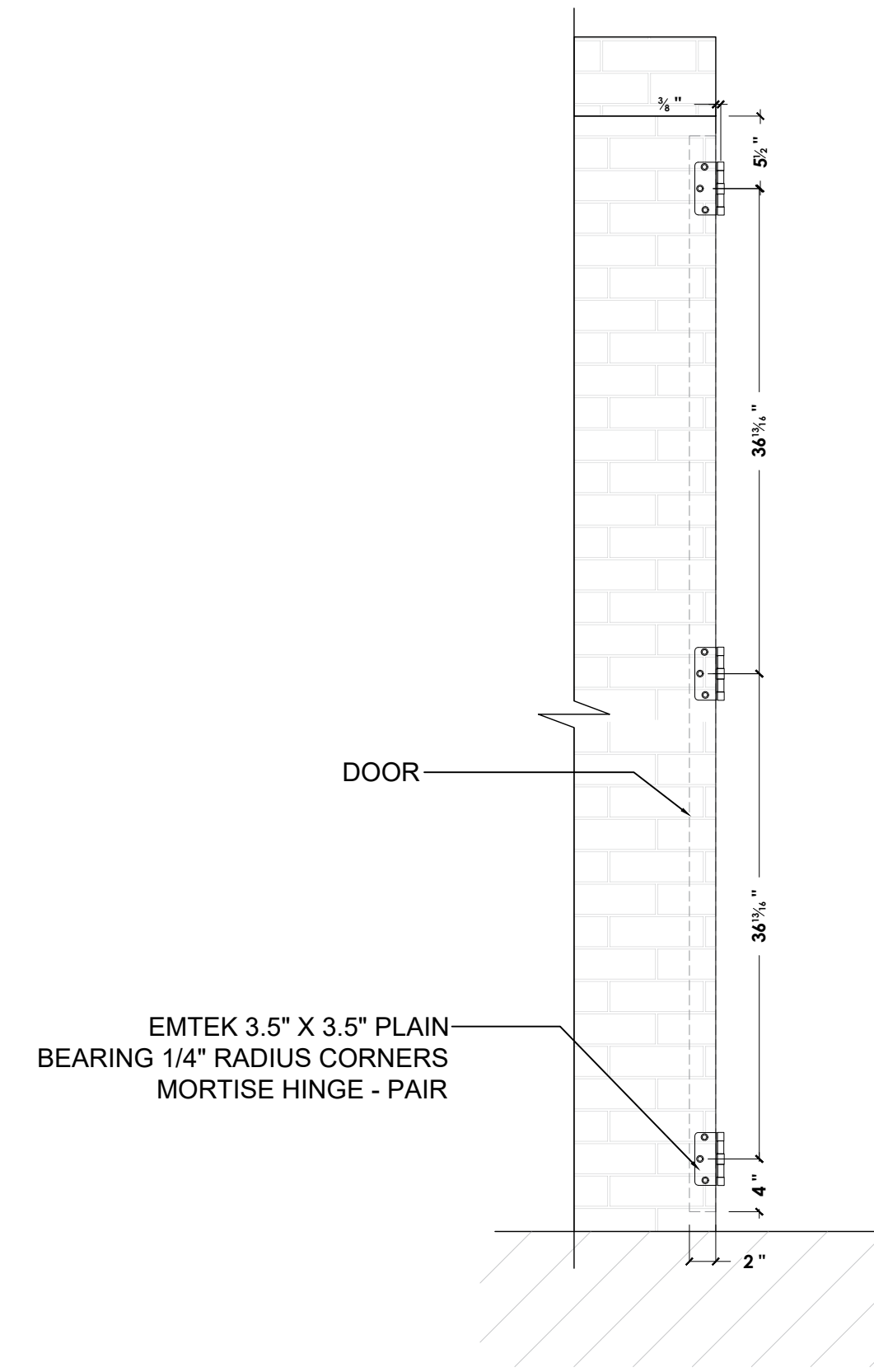
Finish: Black powder coated

CAD Drafter  
GRdesignLLC

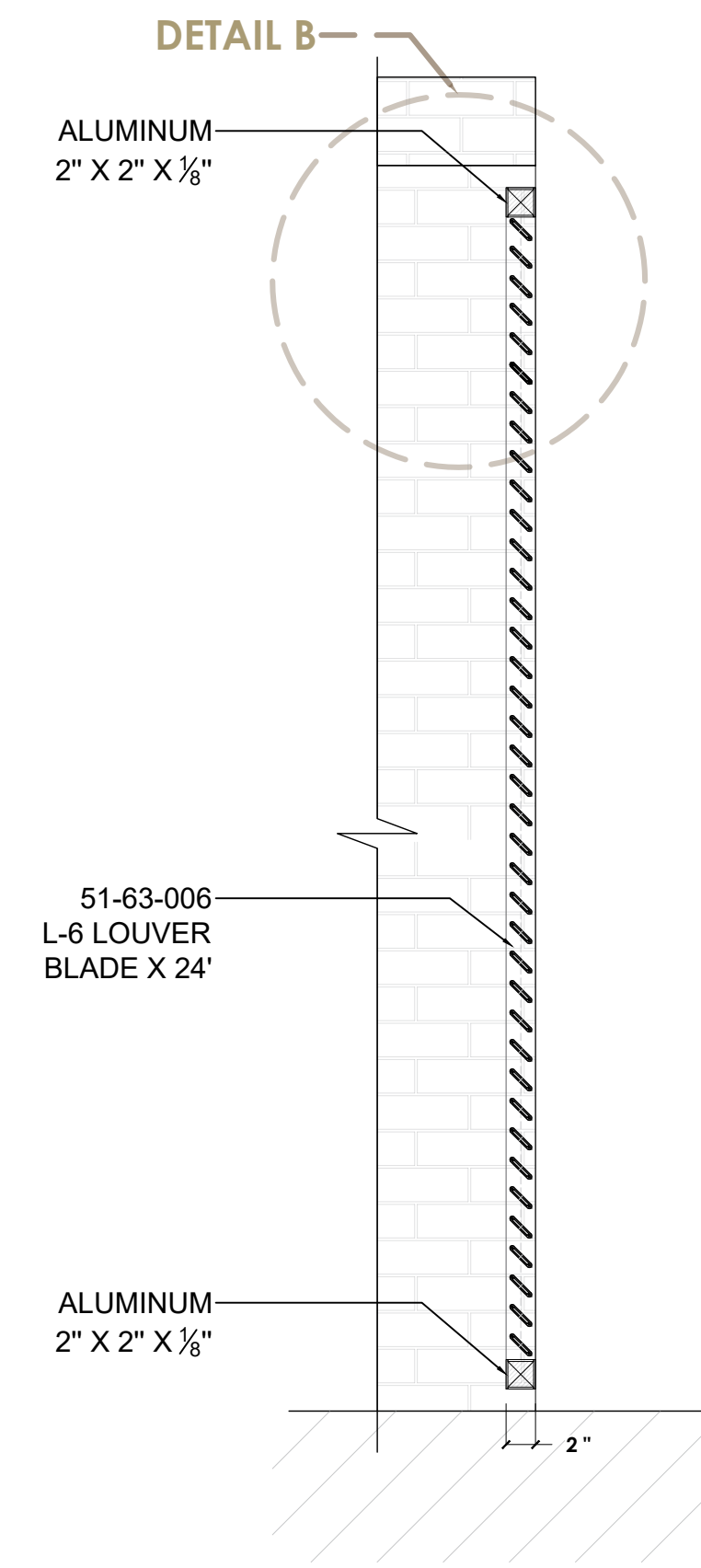
**SHEET #**  
01B



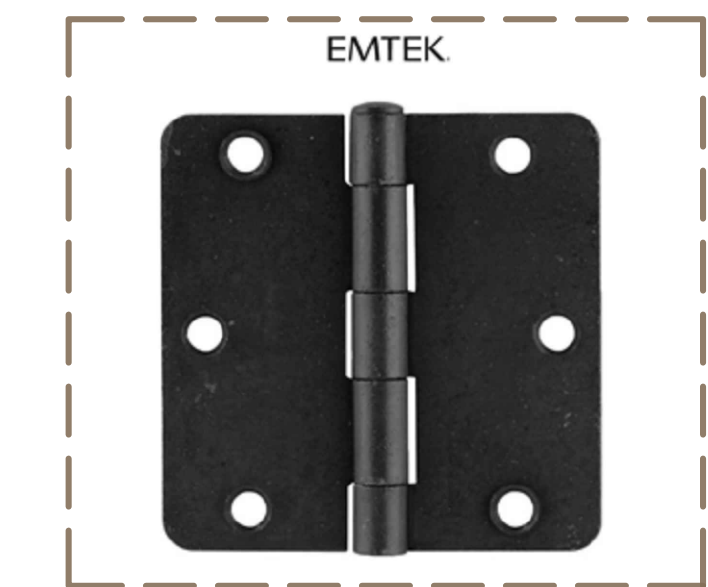
**FRONT ELEVATION**  
ESC 1" = 1'0"



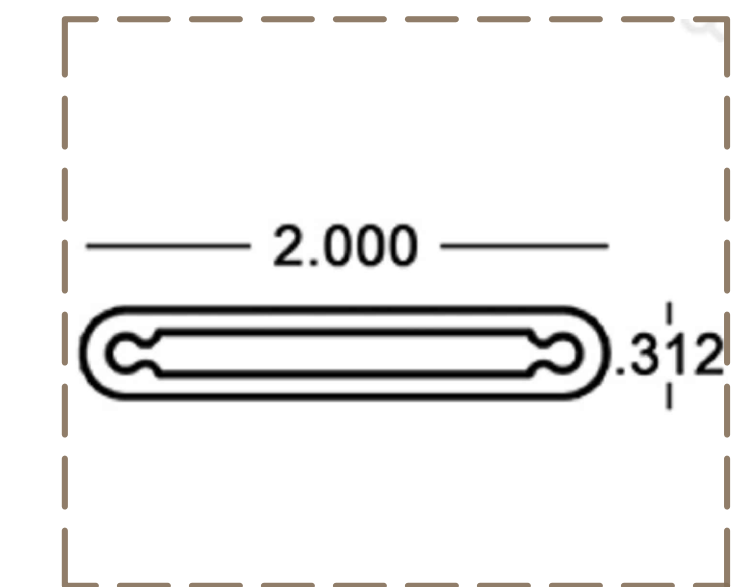
**SECTION**  
ESC 1" = 1'0"



**SECTION**  
ESC 1" = 1'0"



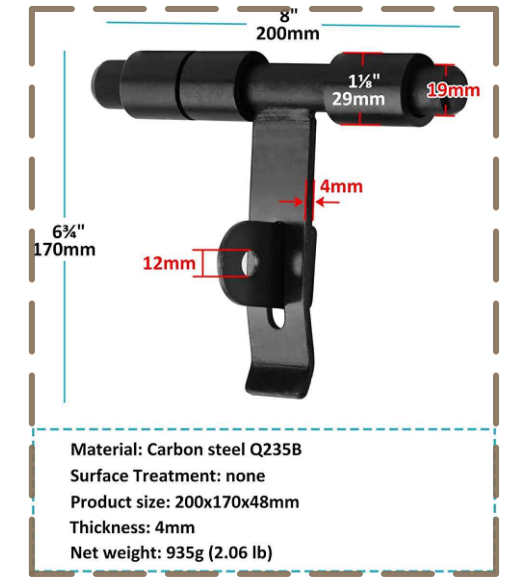
**EMTEK 3.5" X 3.5" PLAIN BEARING 1/4" RADIUS CORNERS MORTISE HINGE - PAIR**



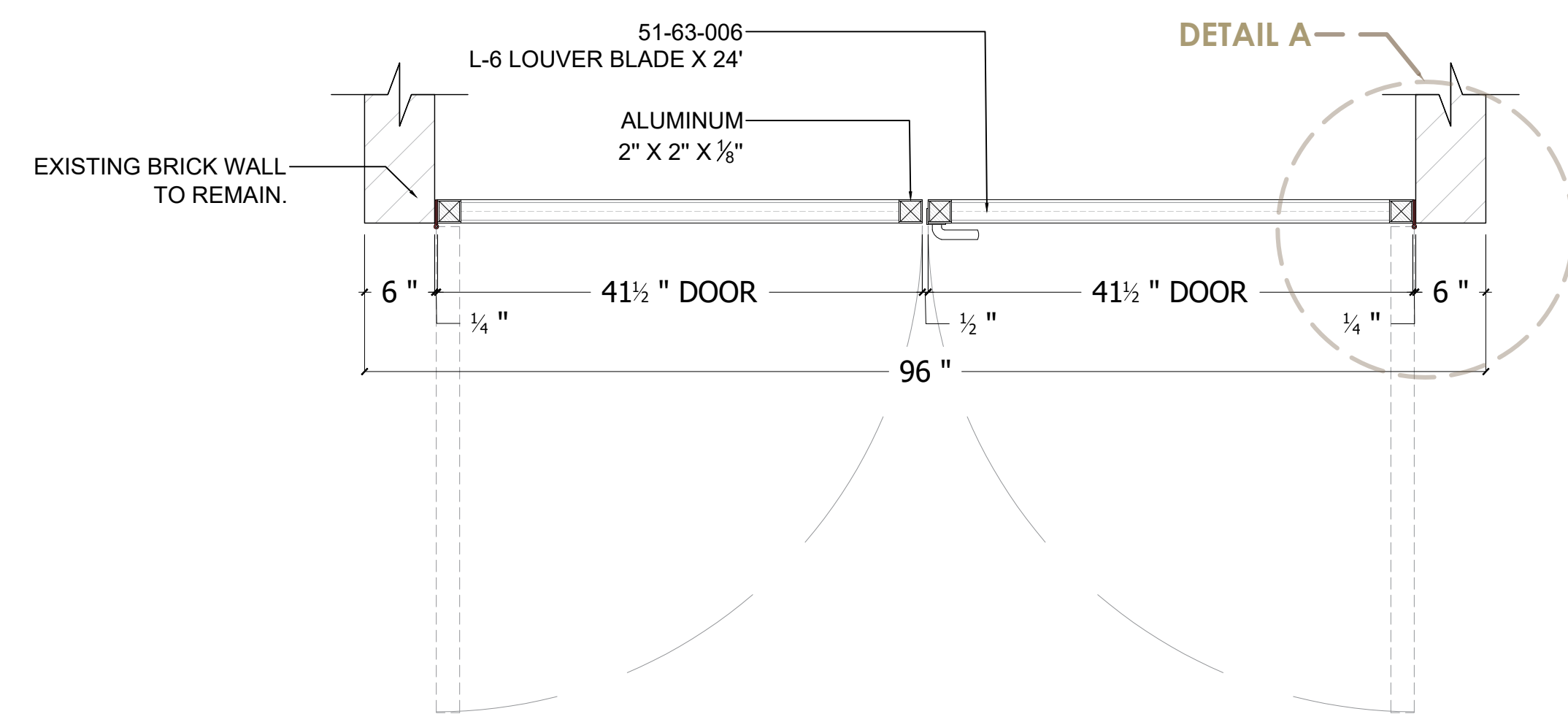
**51-63-006 L-6 LOUVER BLADE X 24"**



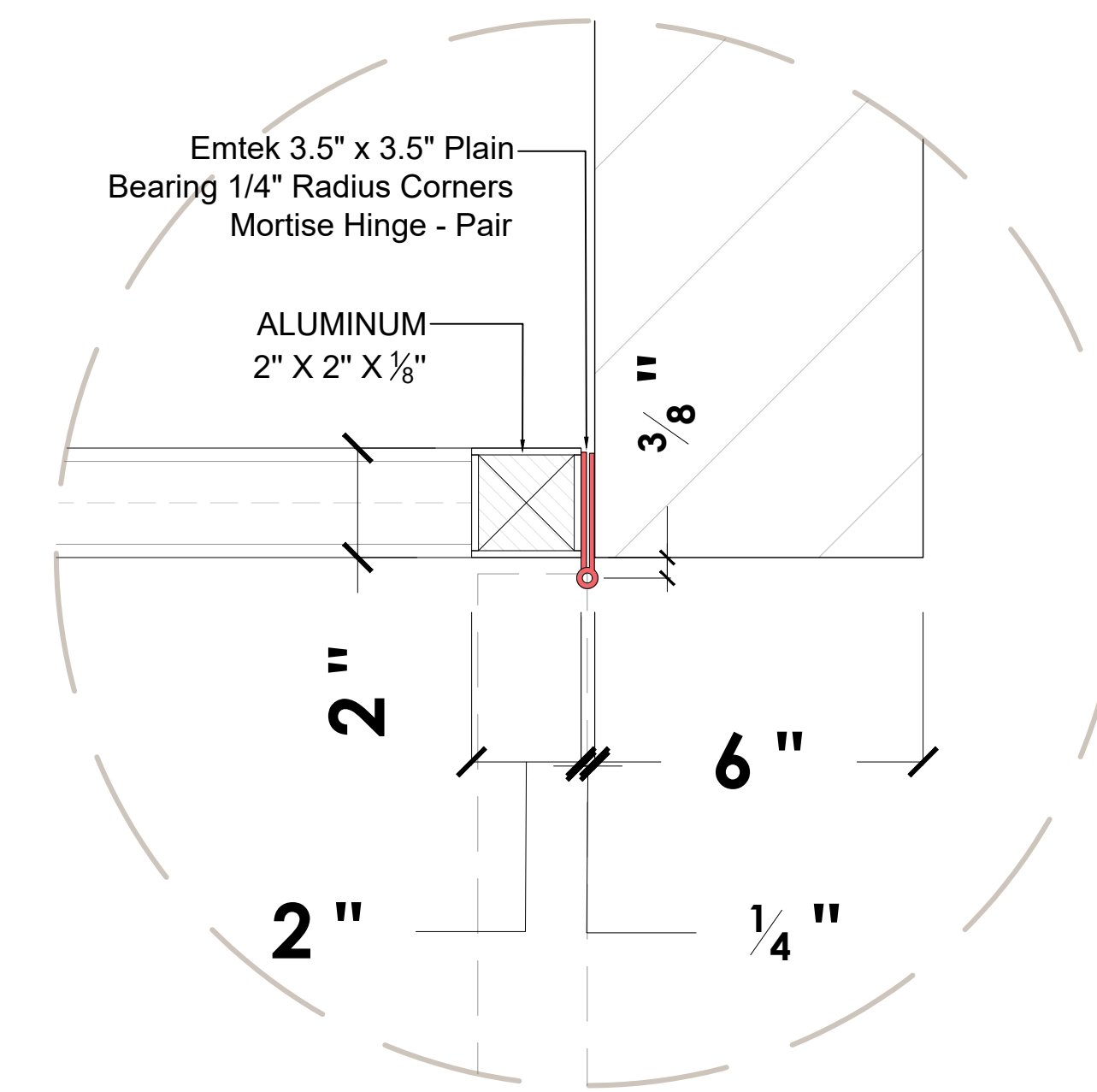
**24.75 IN. BLACK METAL HEAVY DUTY FENCE DROP ROD**



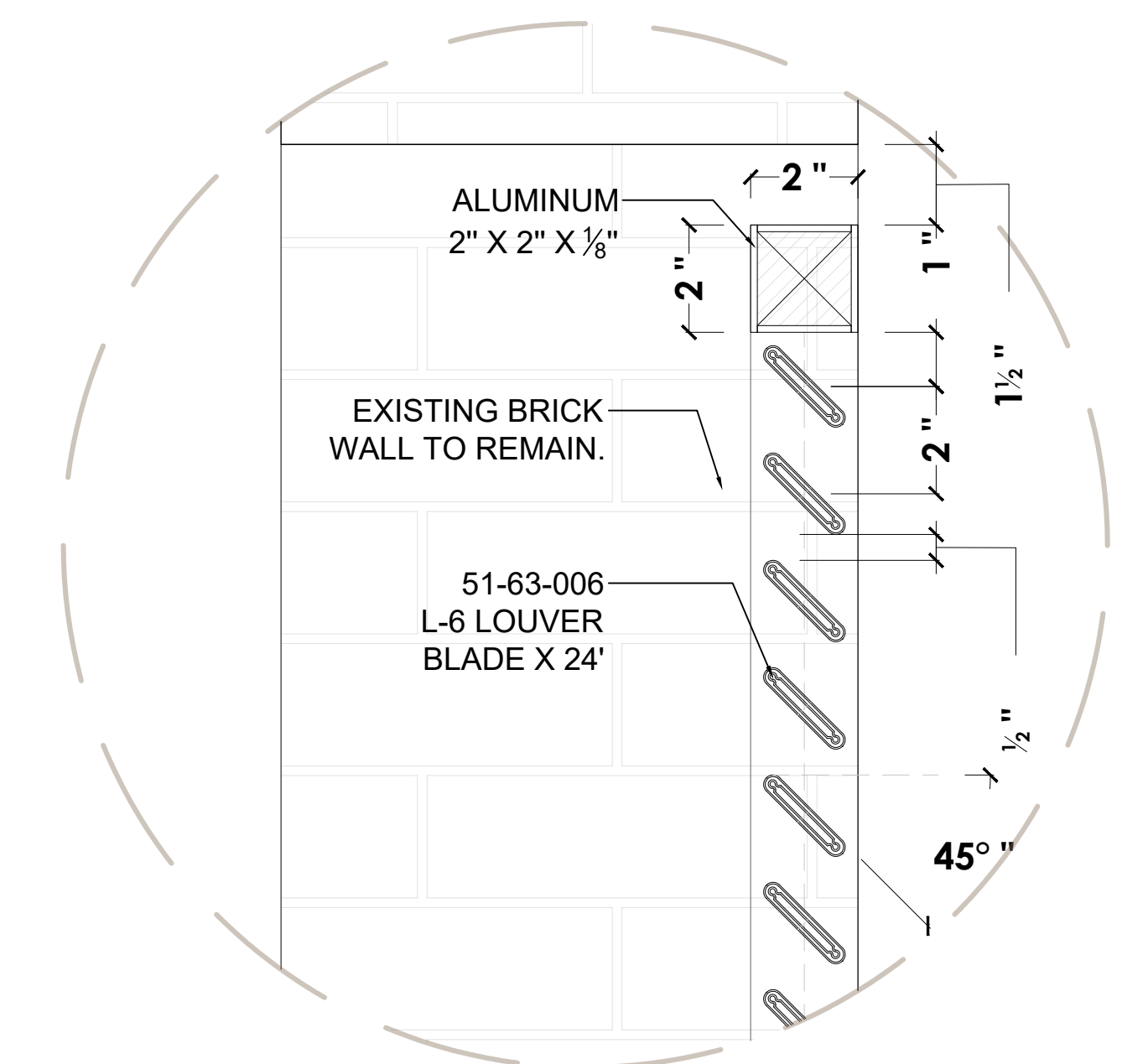
**8" WELDABLE SLIDE BOLT GATE LATCH, HEAVY DUTY WELD ON BARREL LATCH FOR ALUMINUM DOOR, TRAILER**



**UPPER SECTION**  
ESC 1" = 1'0"



**DETAIL A**  
ESC. 4" = 1'0"



**DETAIL B**  
ESC. 4" = 1'0"

XXXXXXXXXXXXXXXXXX

**PROJECT NAME & LOCATION:**

XXXXXXXXXXXXXXXXXXXXXXXXXXXX  
XXXXXXXXXXXXXXXXXXXXXXXXXXXX

**SHEET TITLE:**

OXYGEN TANK SHED 6' HIGH

**SCOPE OF WORK:**

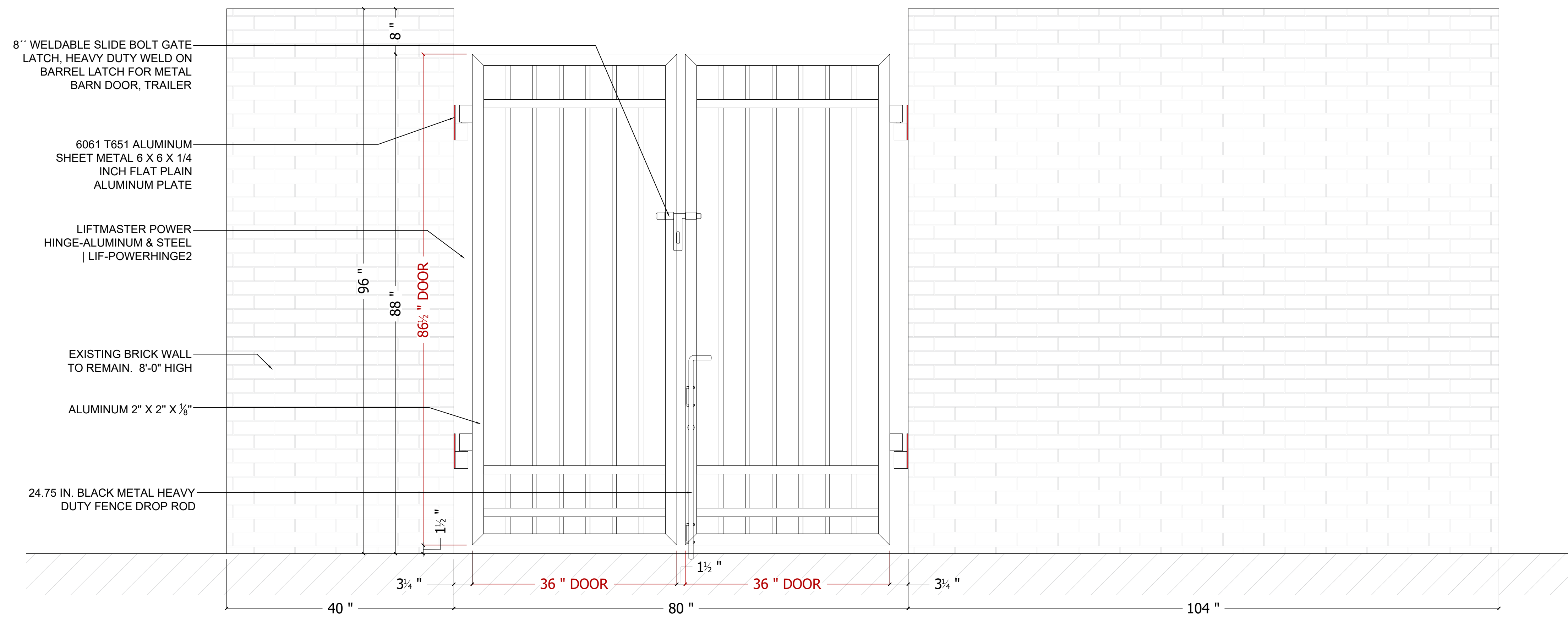
- 2 DOORS

Finish: Black powder coated

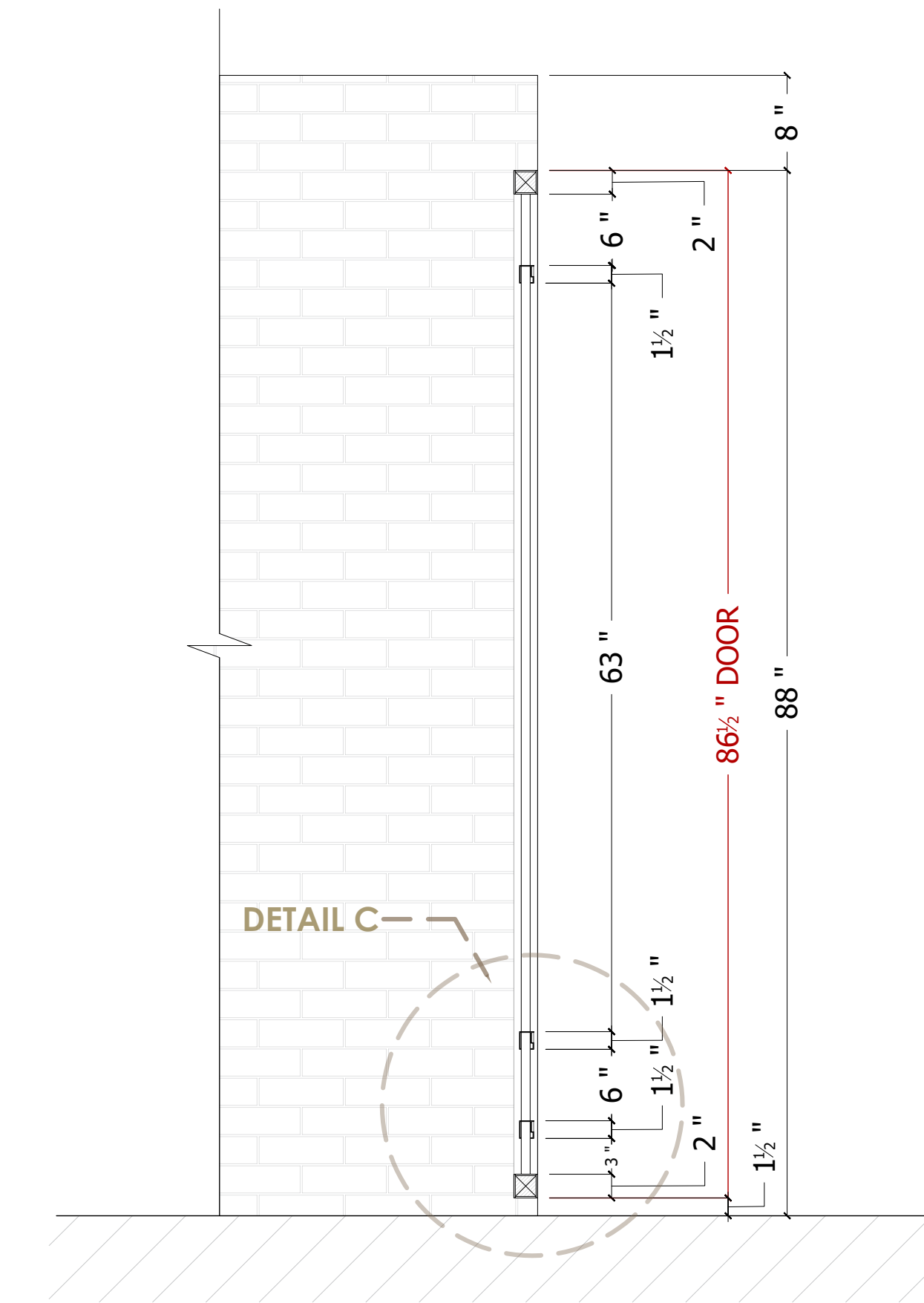
**CAD Drafter**  
GRdesignLLC

**SHEET #**

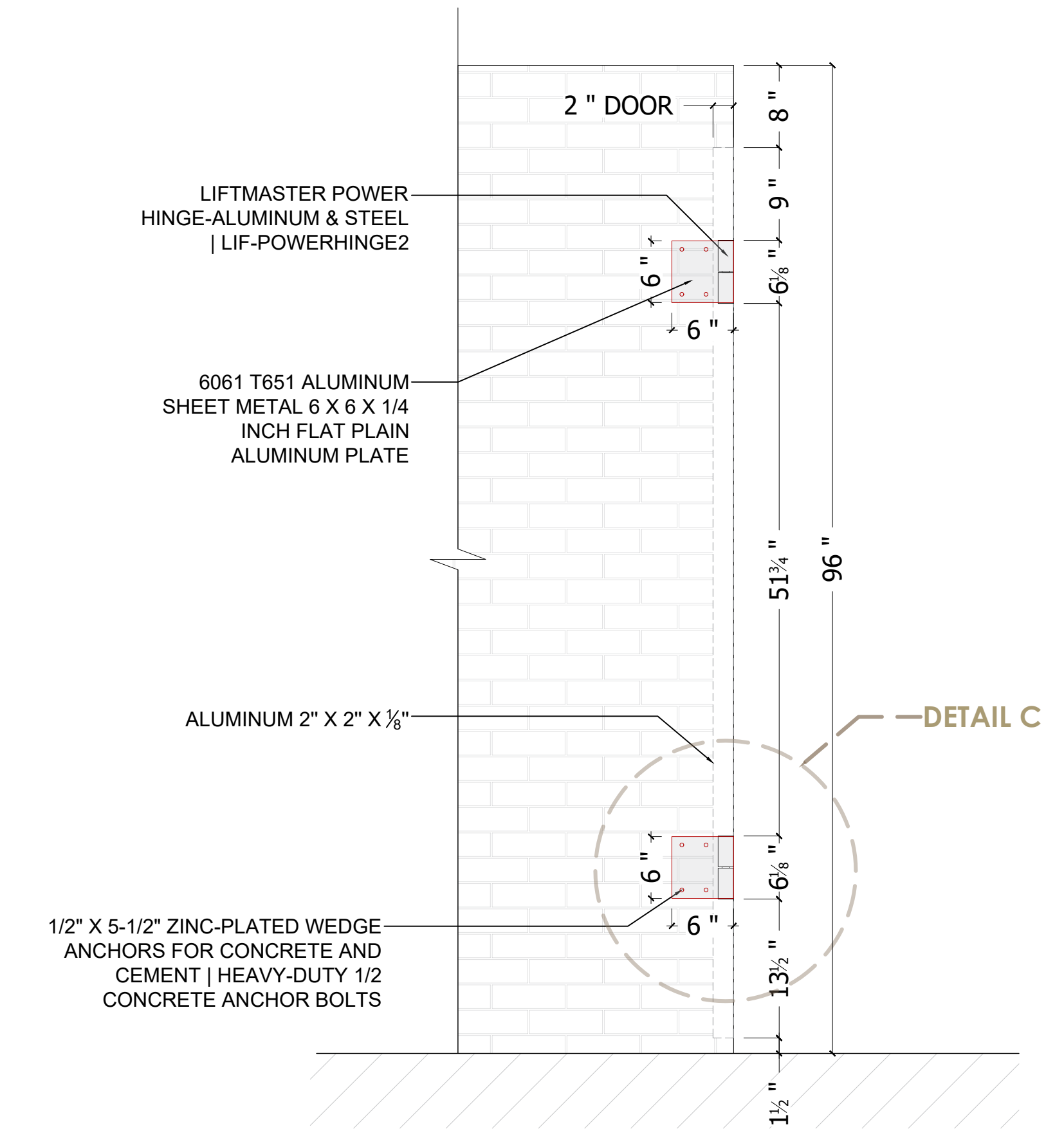
02



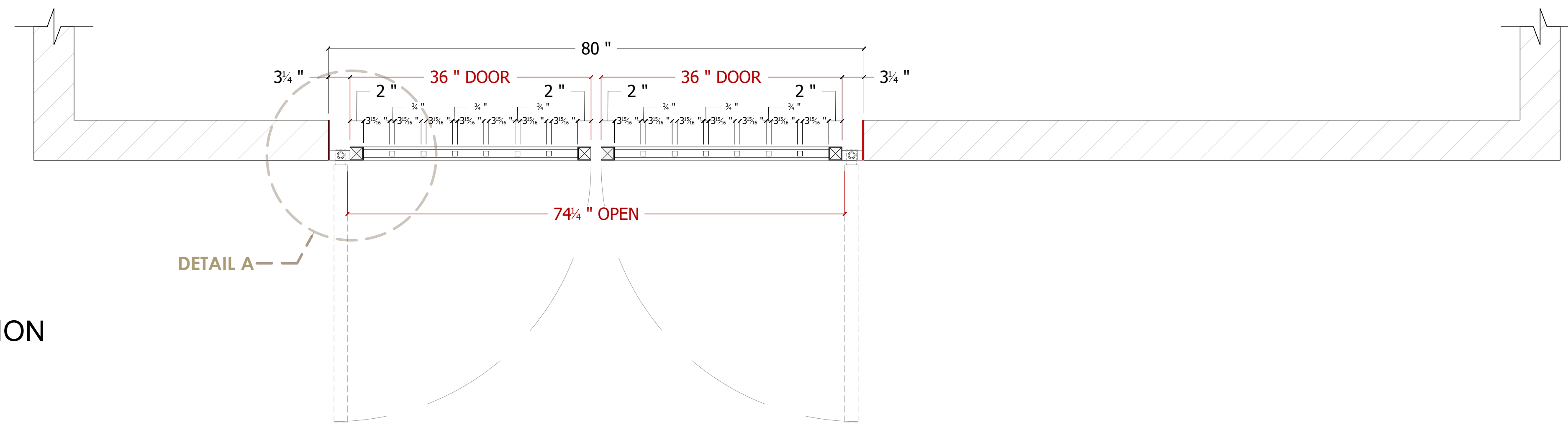
**FRONT ELEVATION**  
ESC 1" = 1'0"



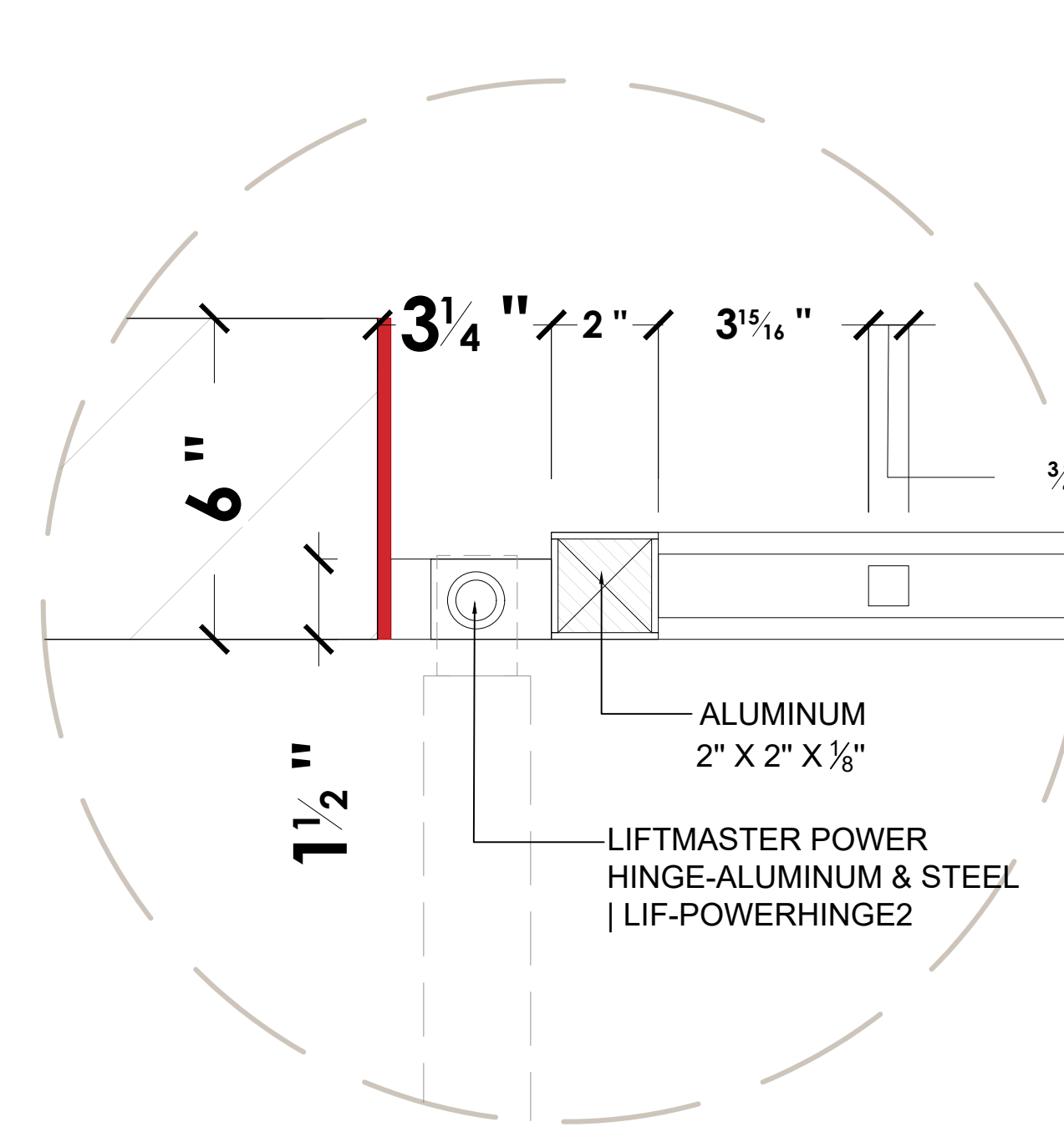
**SECTION**  
ESC 1" = 1'0"



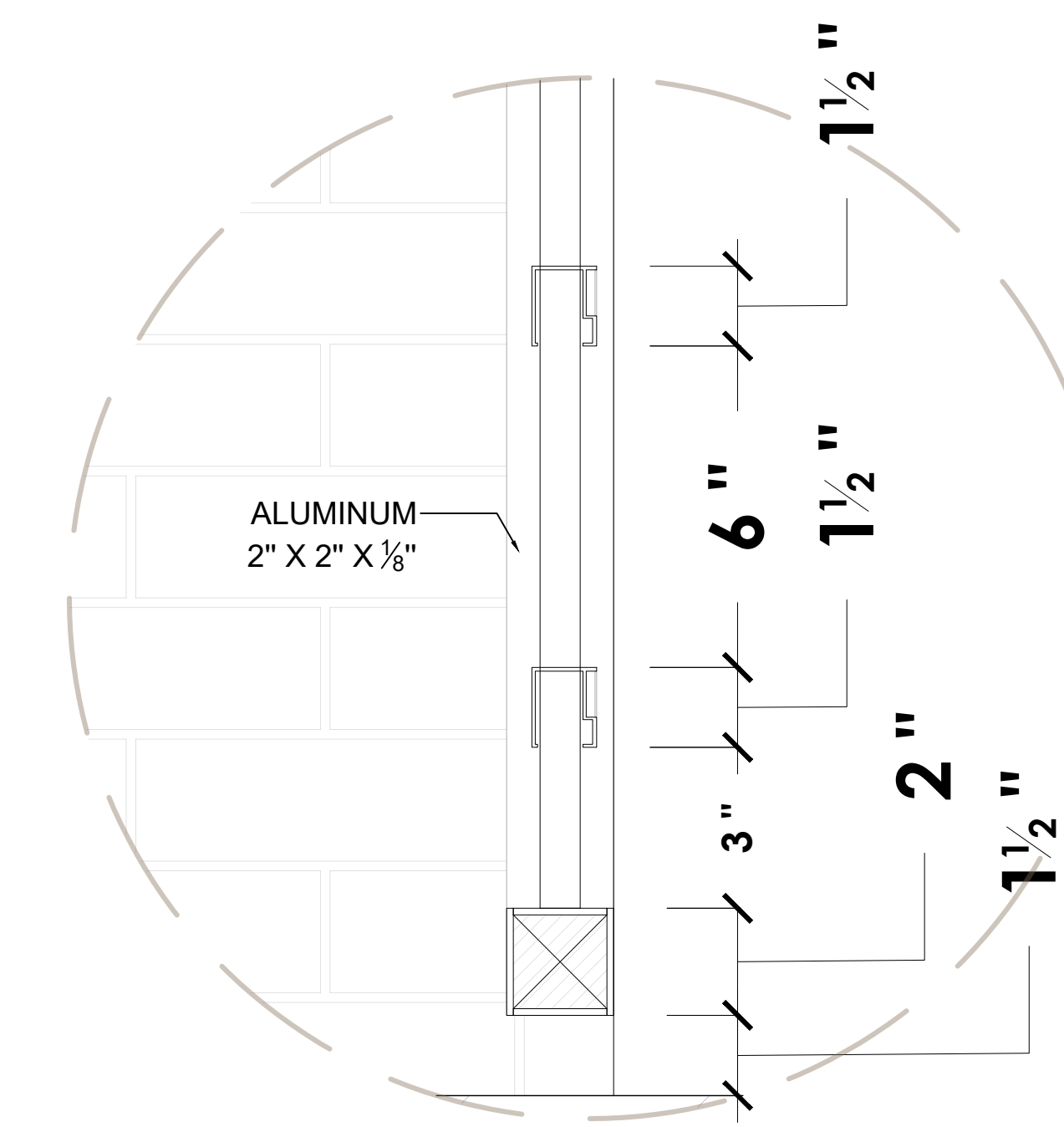
**SECTION**  
ESC 1" = 1'0"



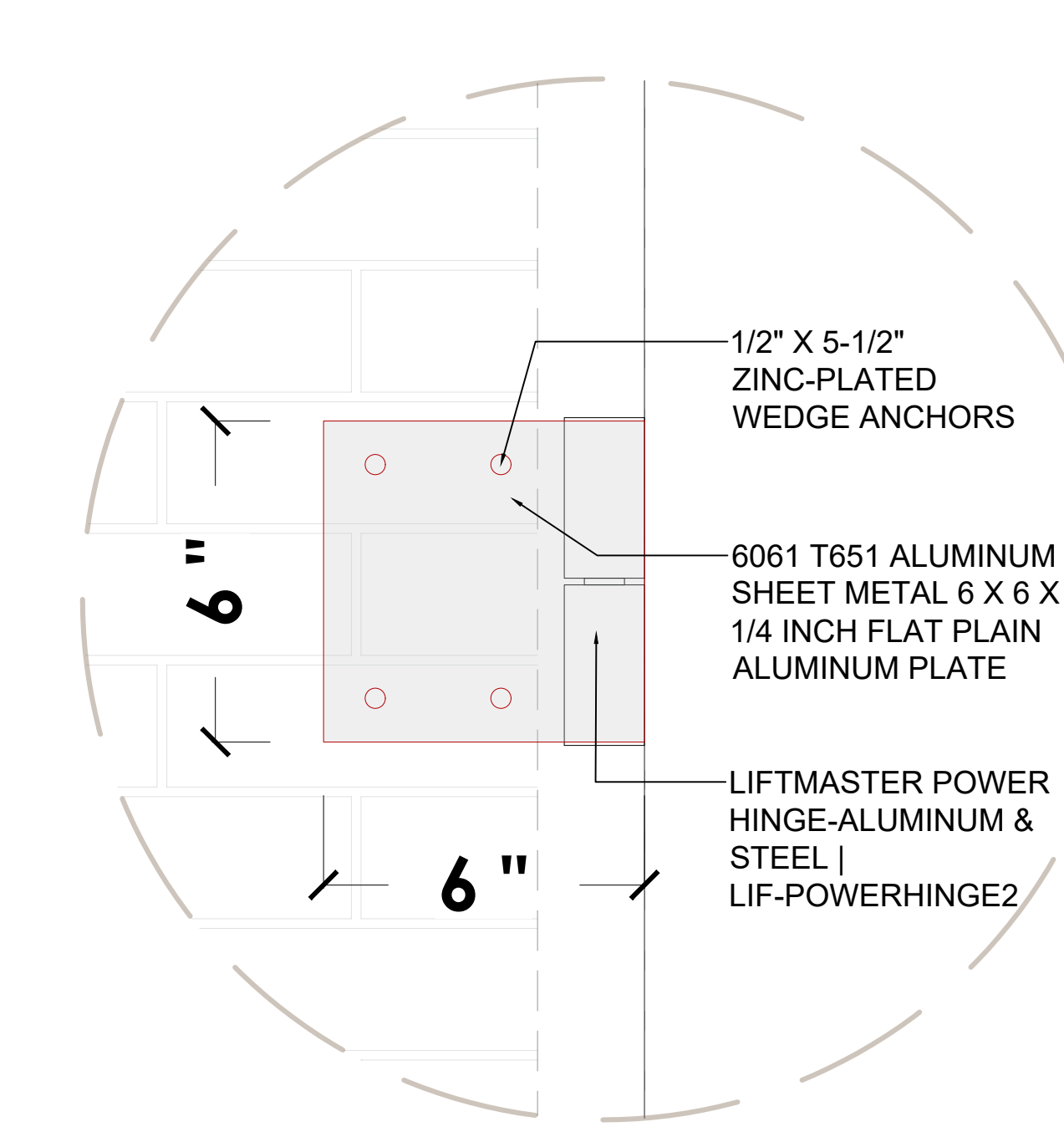
**UPPER SECTION**  
ESC 1" = 1'0"



**DETAIL A**  
ESC. 4" = 1'0"



**DETAIL B**  
ESC. 4" = 1'0"



**DETAIL C**  
ESC. 4" = 1'0"

XXXXXXXXXXXXXXXXXX

**PROJECT NAME & LOCATION:**

XXXXXXXXXXXXXXXXXXXXXXXXXXXX  
XXXXXXXXXXXXXXXXXXXXXXXXXXXX

**SHEET TITLE:**

HVAC ENCLOSURE H8

**SCOPE OF WORK:**

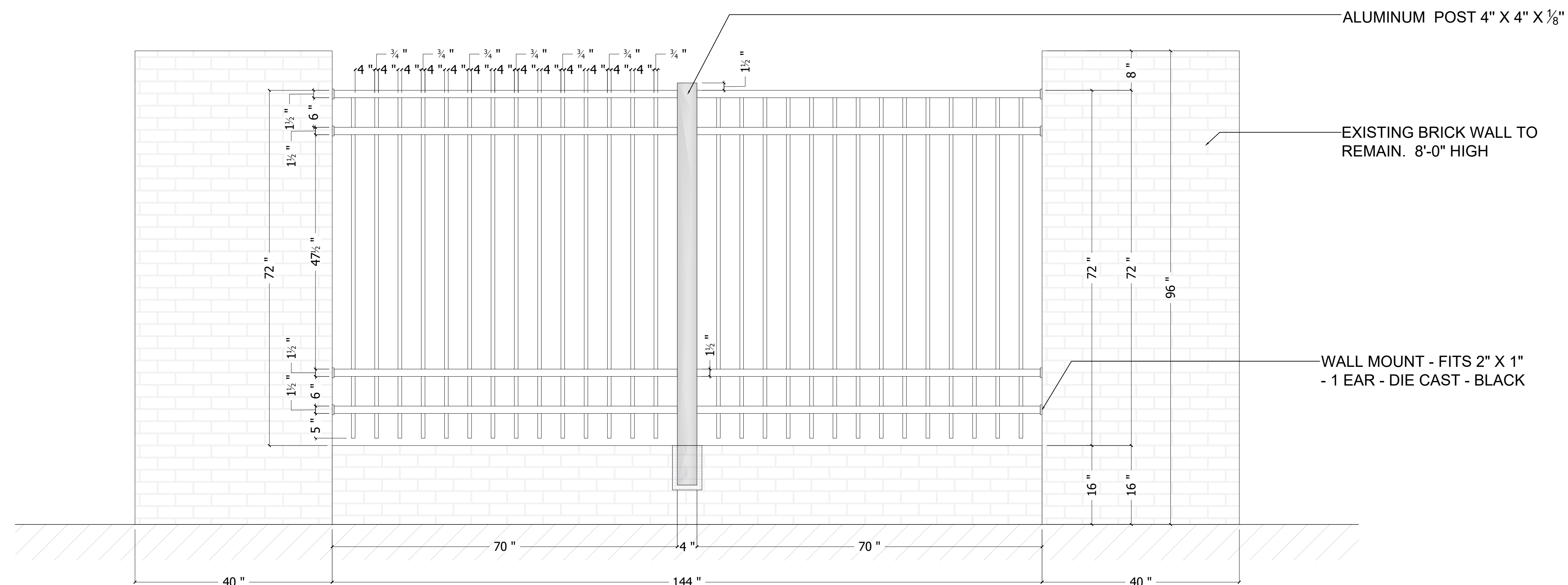
- 2 DOORS

Finish: Black powder coated

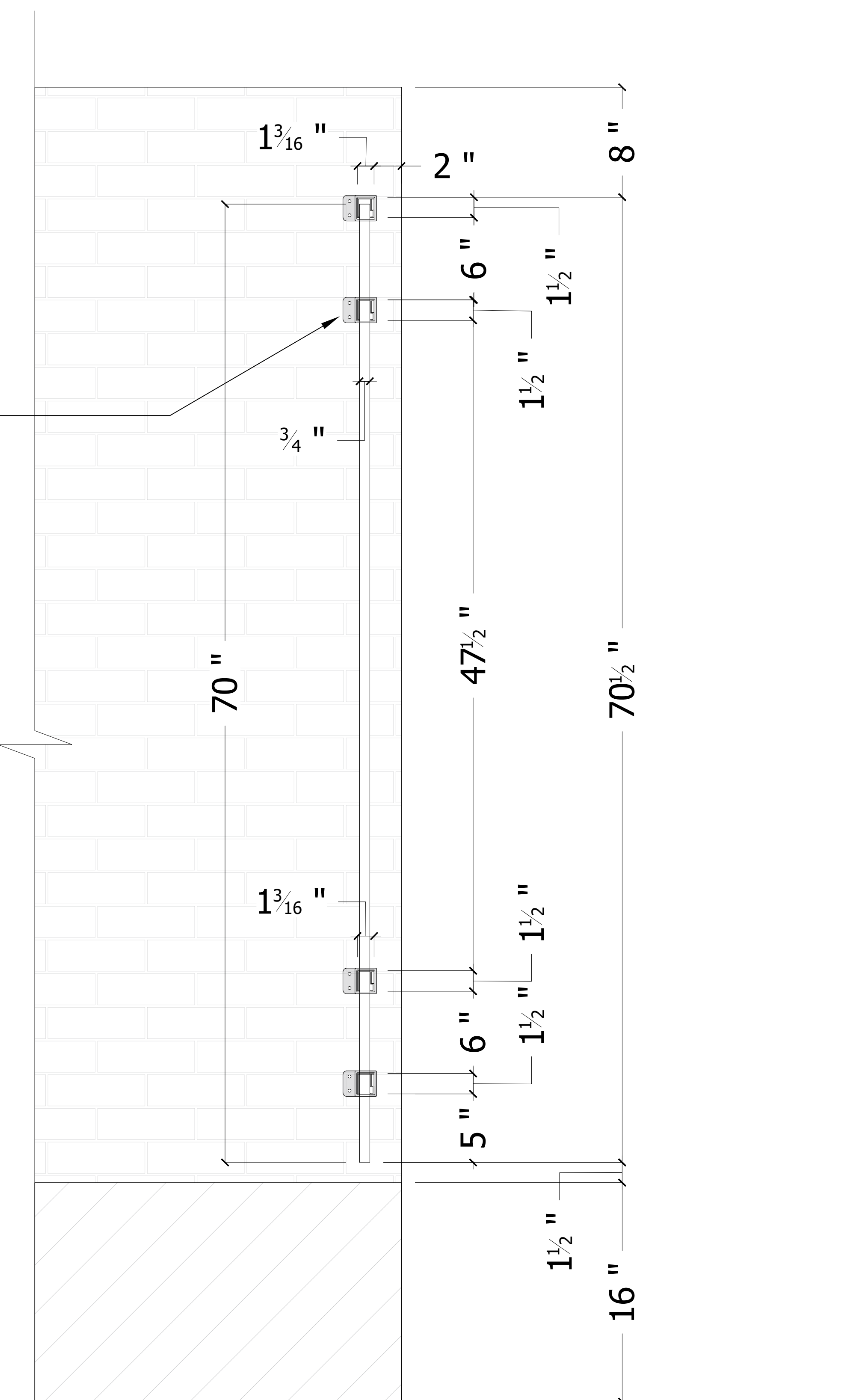
CAD Drafter  
GRdesignLLC

**SHEET #**

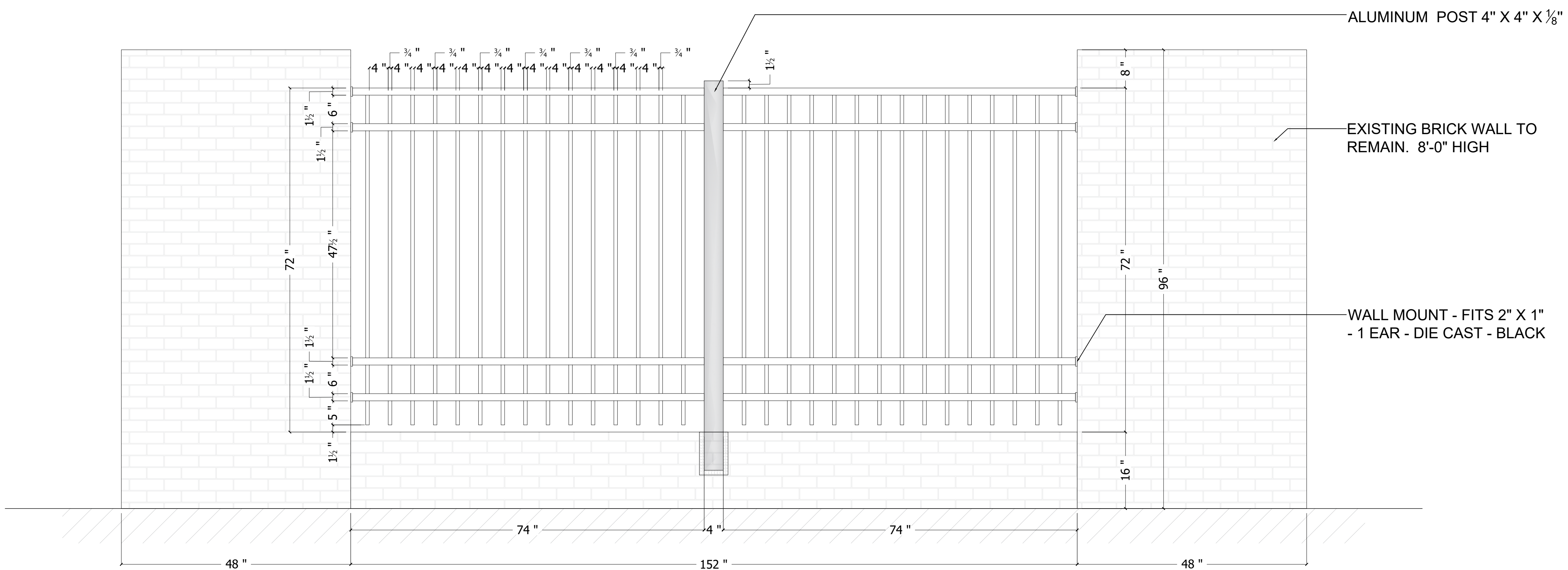
**03**



FRONT ELEVATION - HVAC ENCLOSURE H11  
ESC 7/8" = 1'0



SECTION  
ESC 2" = 1'0



FRONT ELEVATION - HVAC ENCLOSURE F11  
ESC 7/8" = 1'0

XXXXXXXXXXXXXXXXXX

PROJECT NAME & LOCATION:

XXXXXXXXXXXXXXXXXXXXXXXXXXXX  
XXXXXXXXXXXXXXXXXXXXXXXXXXXX

SHEET TITLE:

ALUMINUM FENCE 6'

SCOPE OF WORK:

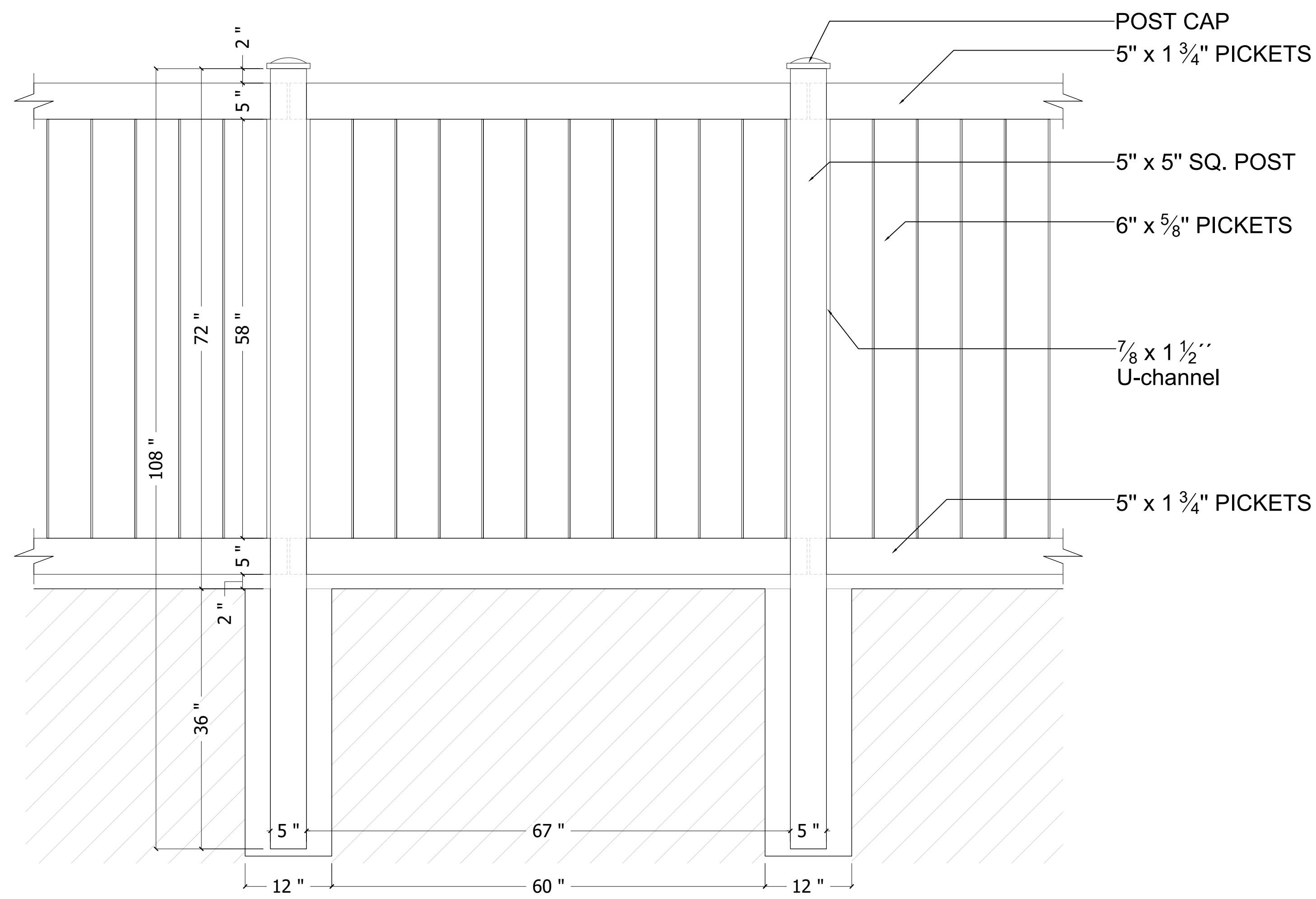
- HVAC ENCLOSURE H11
- HVAC ENCLOSURE F11

Finish: Black powder coated

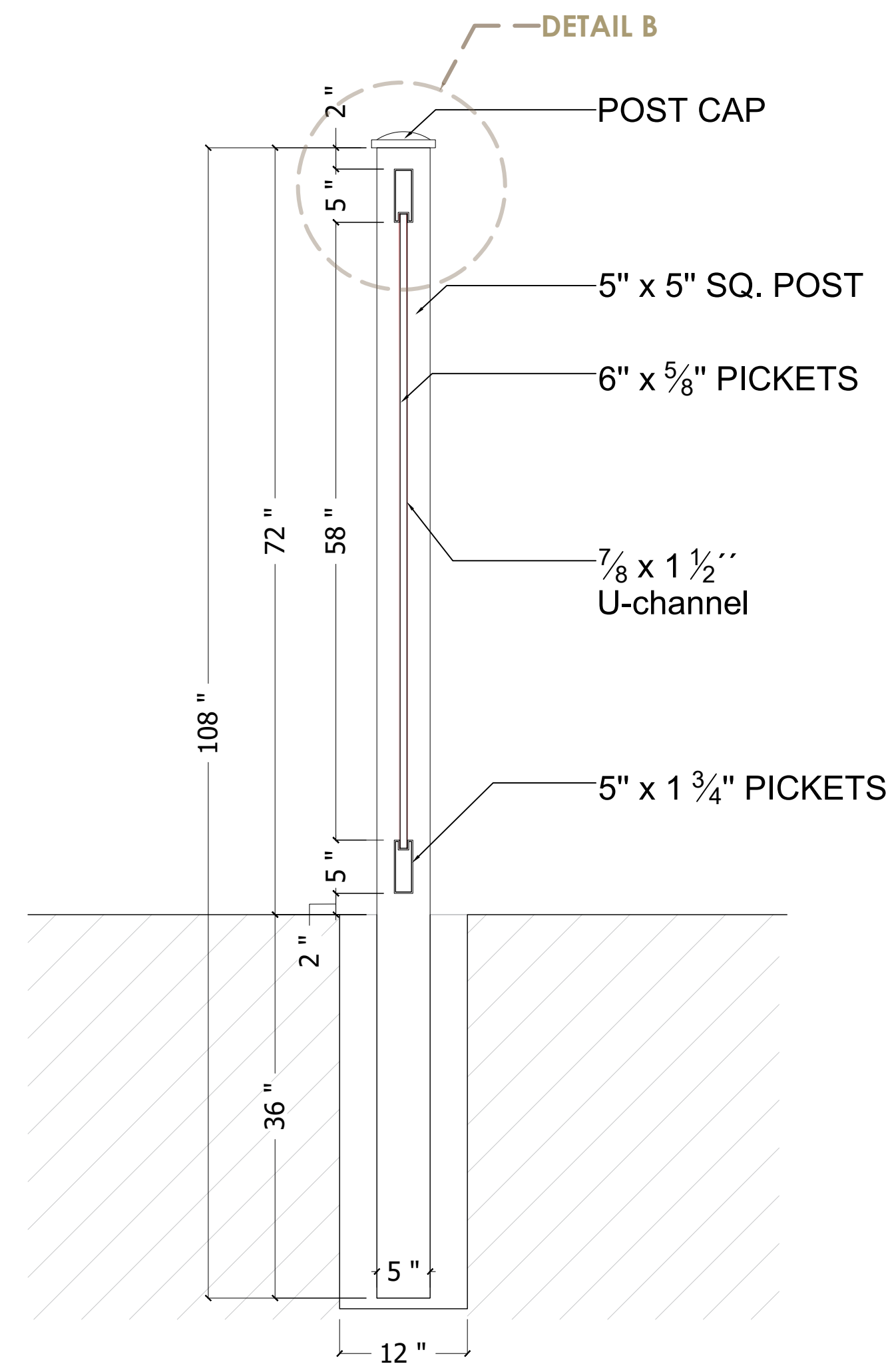
CAD Drafter  
GRdesignLLC

SHEET #

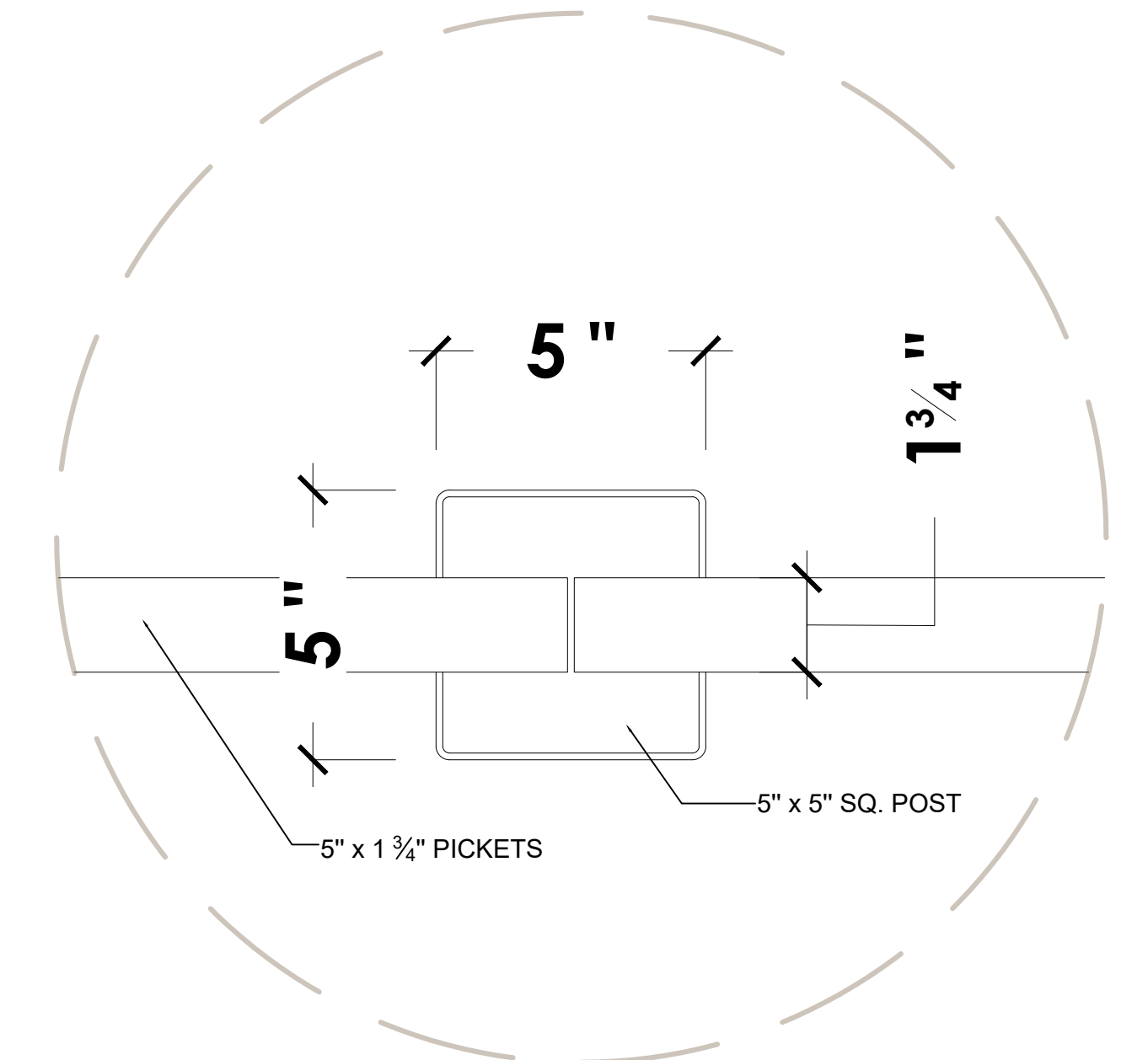
04



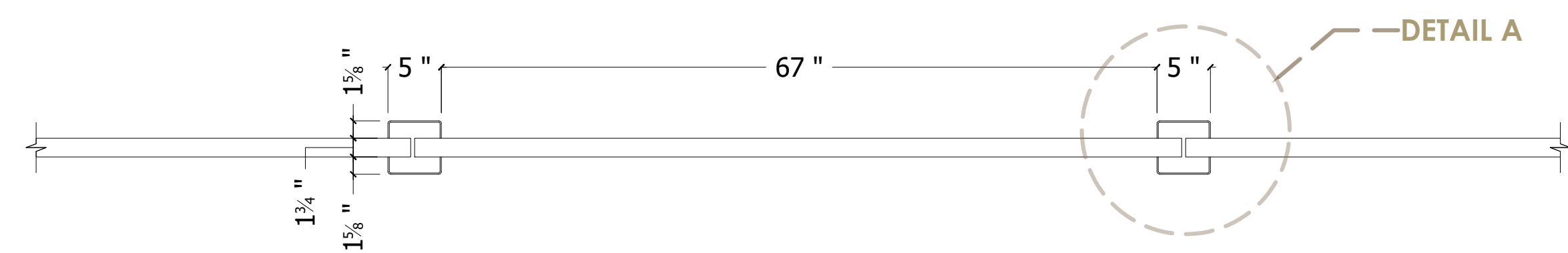
**FRONT ELEVATION**  
ESC 1" = 1'0"



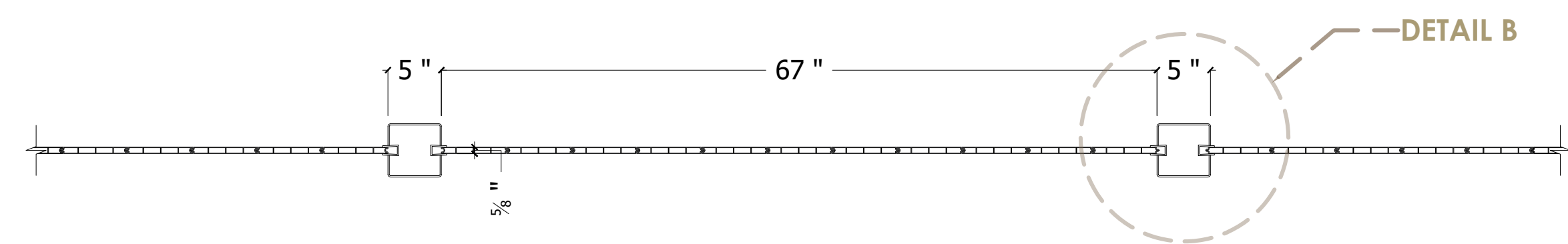
**SECTION**  
ESC 1" = 1'0"



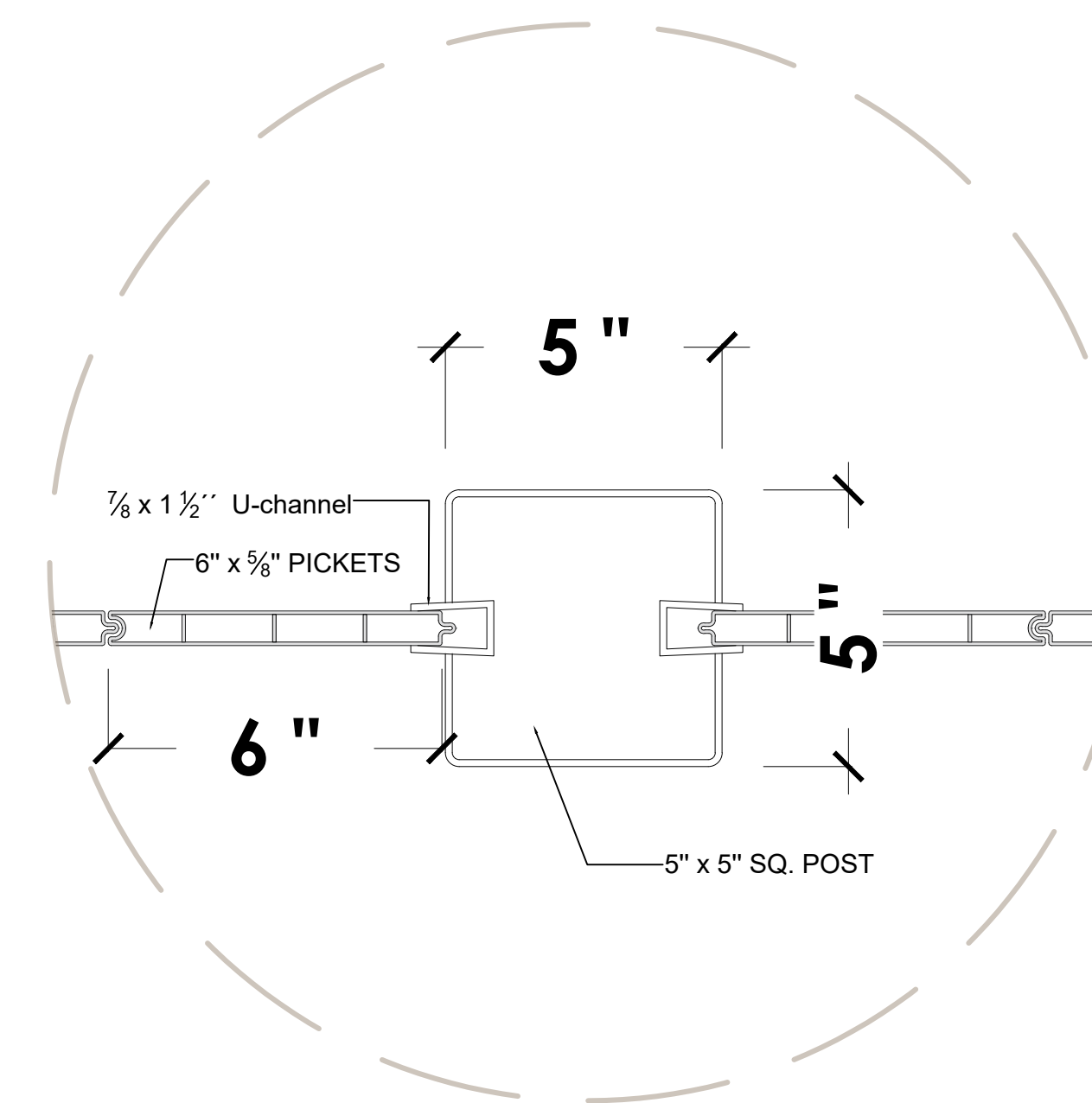
**DETAIL A**  
ESC. 4" = 1'0"



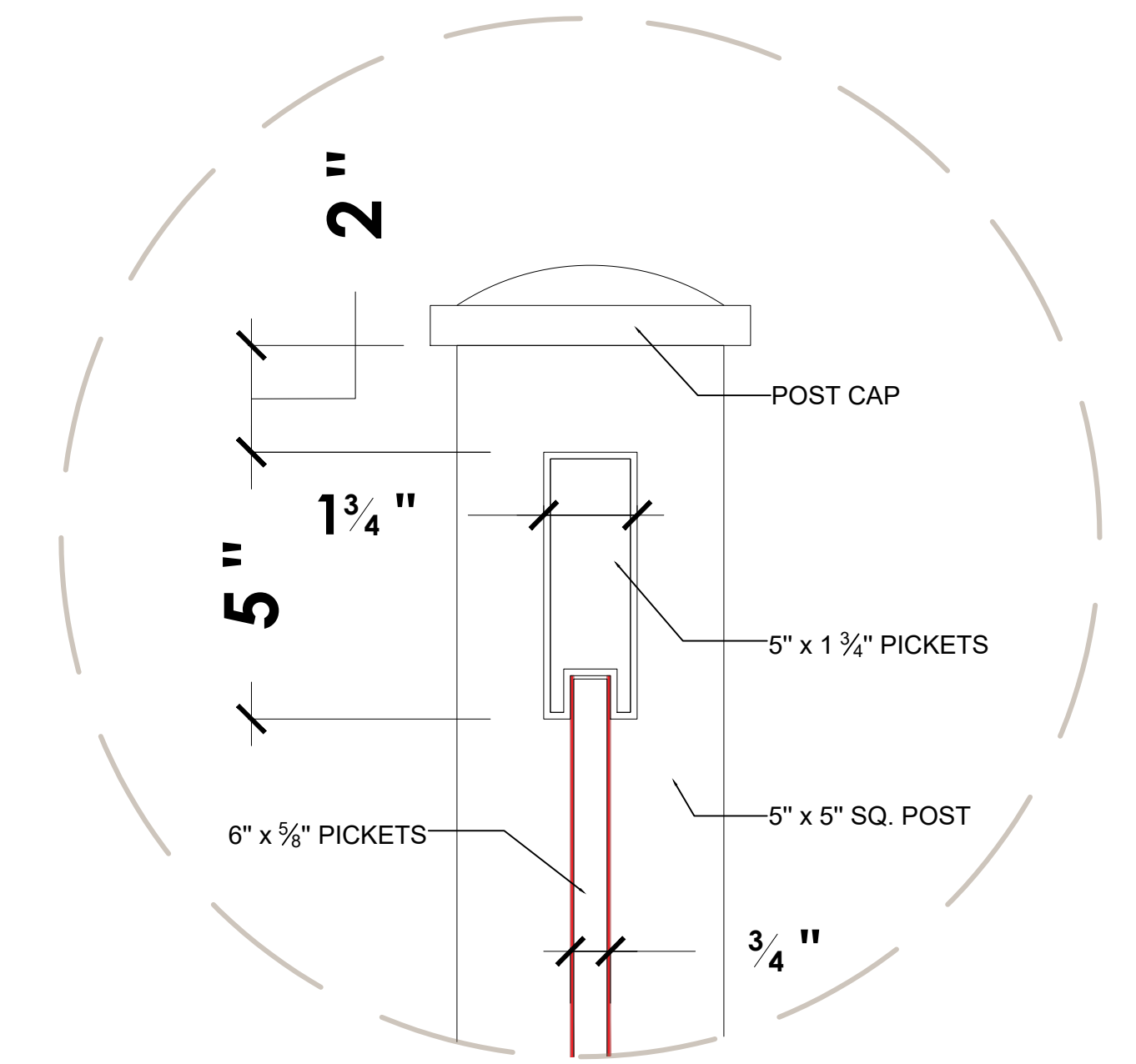
**UPPER SECTION**  
ESC 1" = 1'0"



**VIEW IN THE MIDDLE**  
ESC 1" = 1'0"



**DETAIL B**  
ESC. 4" = 1'0"



**DETAIL C**  
ESC. 4" = 1'0"

XXXXXXXXXXXXXXXXXX

**PROJECT NAME & LOCATION:**

XXXXXXXXXXXXXXXXXXXXXXXXXXXX  
XXXXXXXXXXXXXXXXXXXXXXXXXXXX

**SHEET TITLE:**

6' TALL WHITE PVC (PERIMETER)

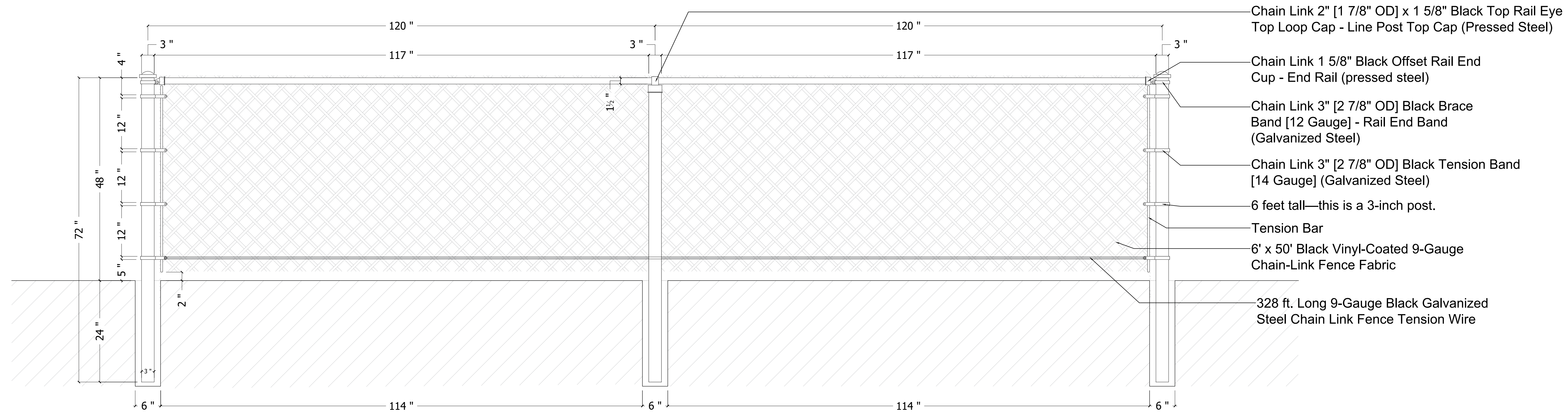
Exterior: PVC

CAD Drafter  
GRdesignLLC

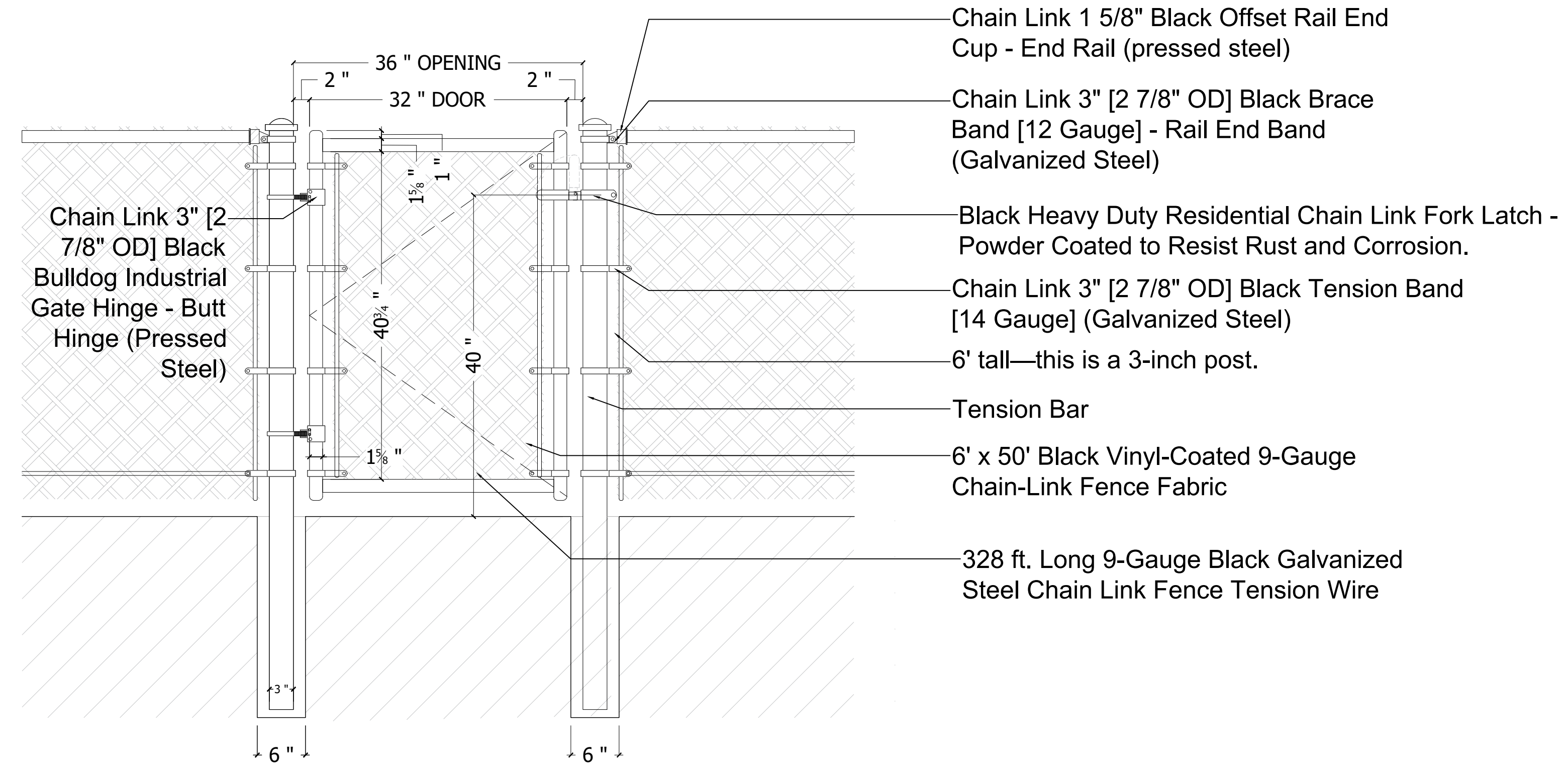
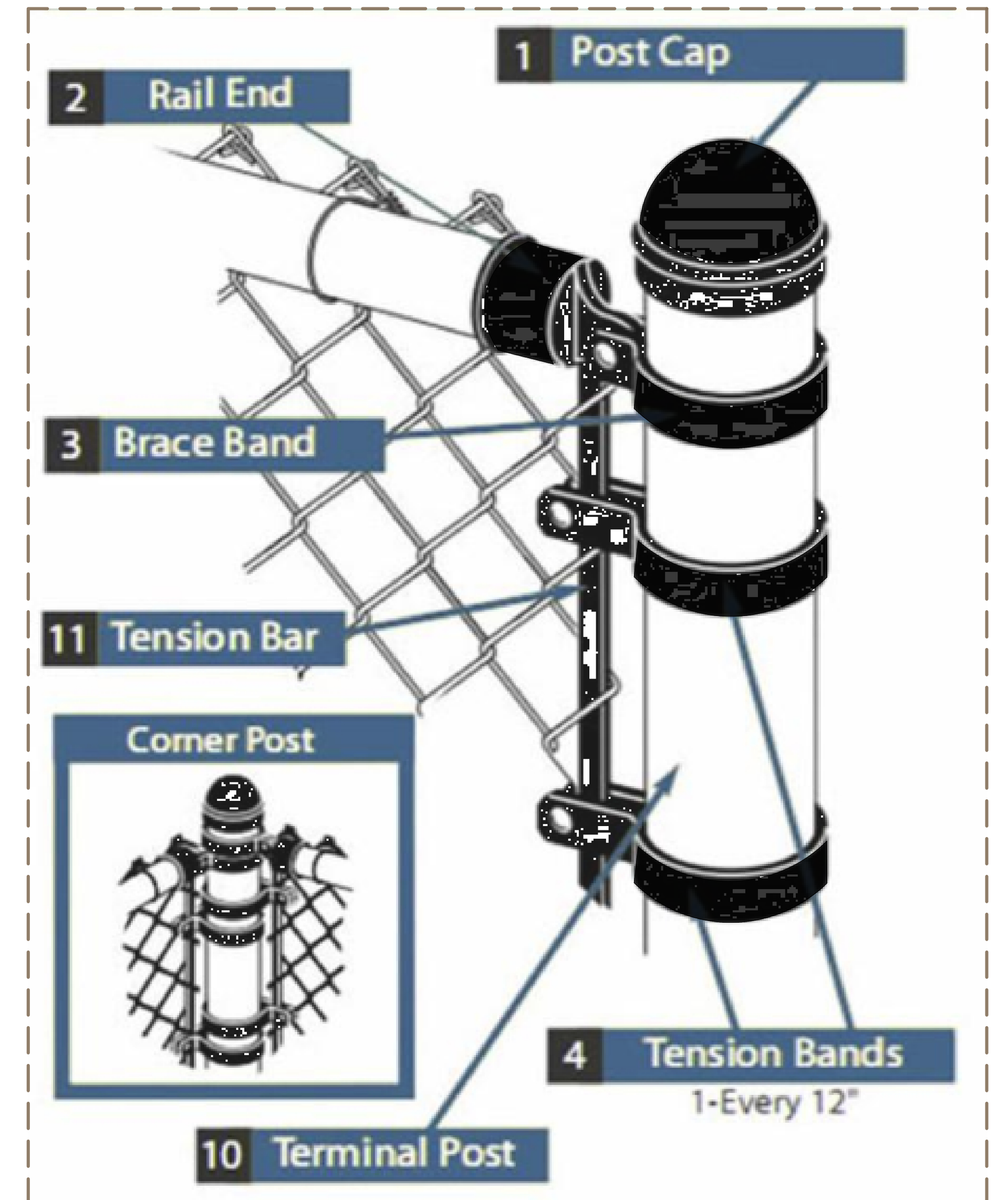
**SHEET #**

**05**

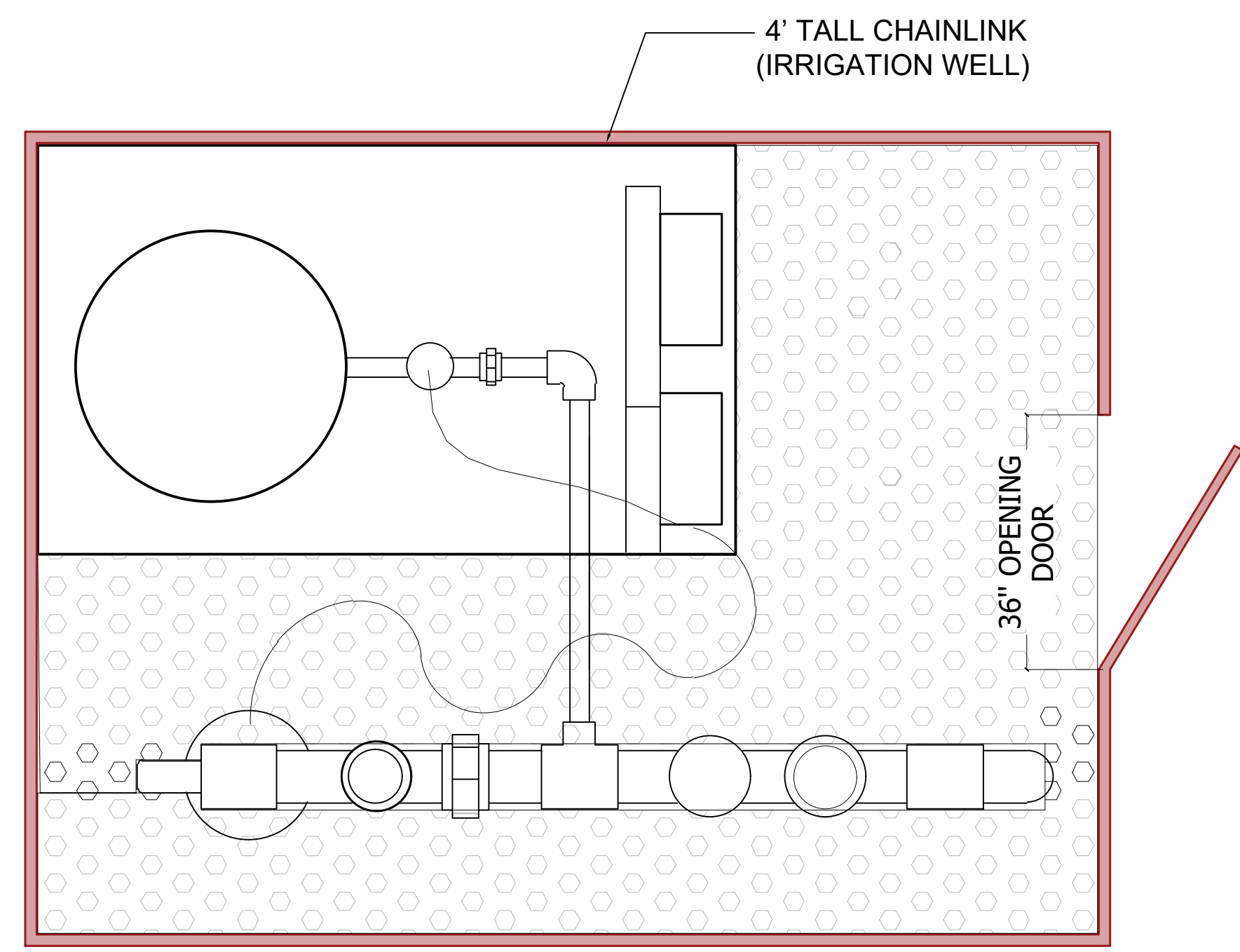




**FRONT ELEVATION**  
ESC 1" = 1'0"



**FRONT ELEVATION**  
ESC 1" = 1'0"



**PUMP ASSEMBLY PLAN VIEW**  
ESC 5/8" = 1'0"



XXXXXXXXXXXXXXXXXX

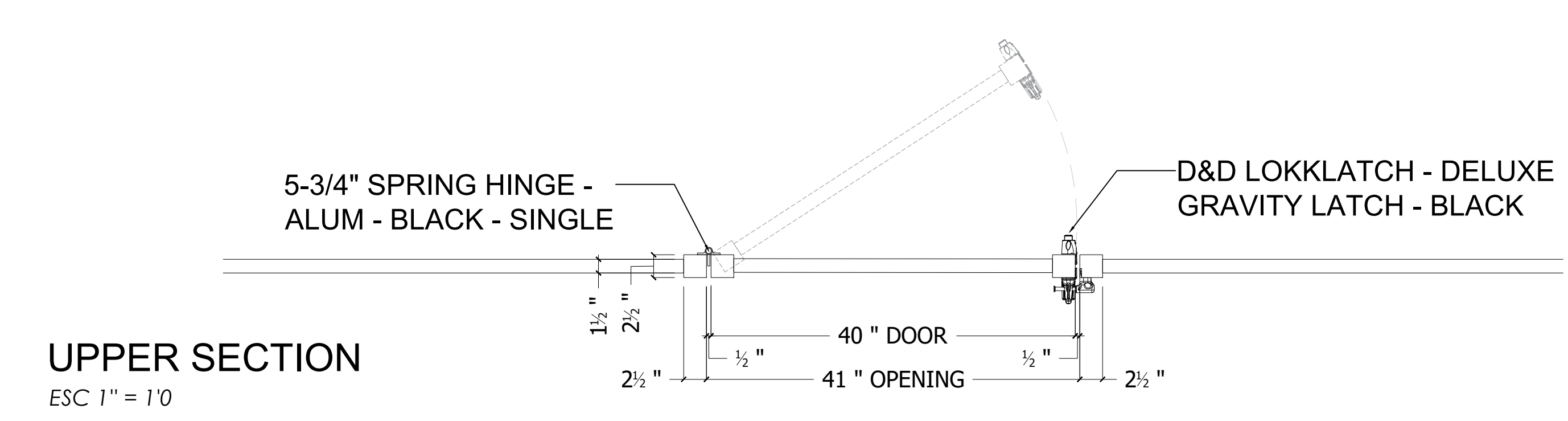
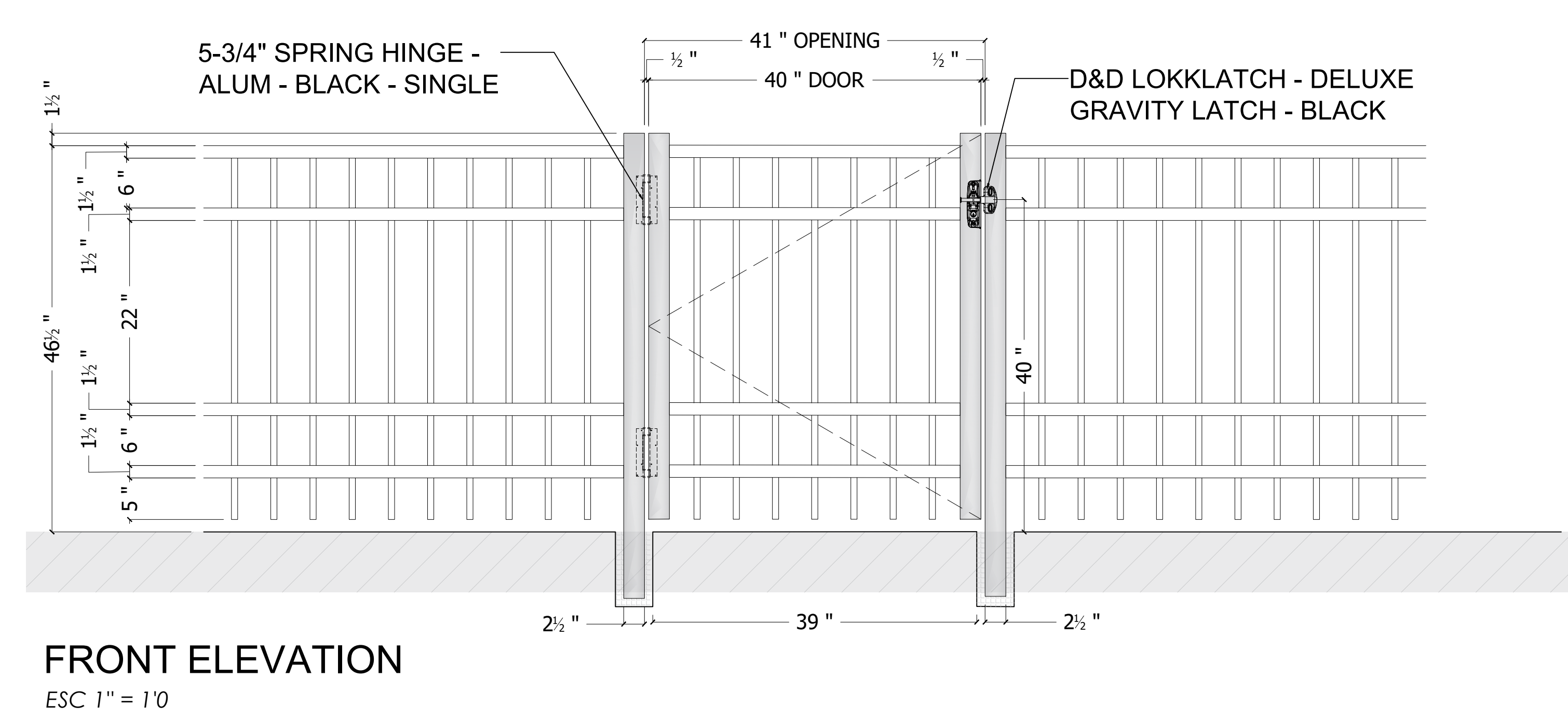
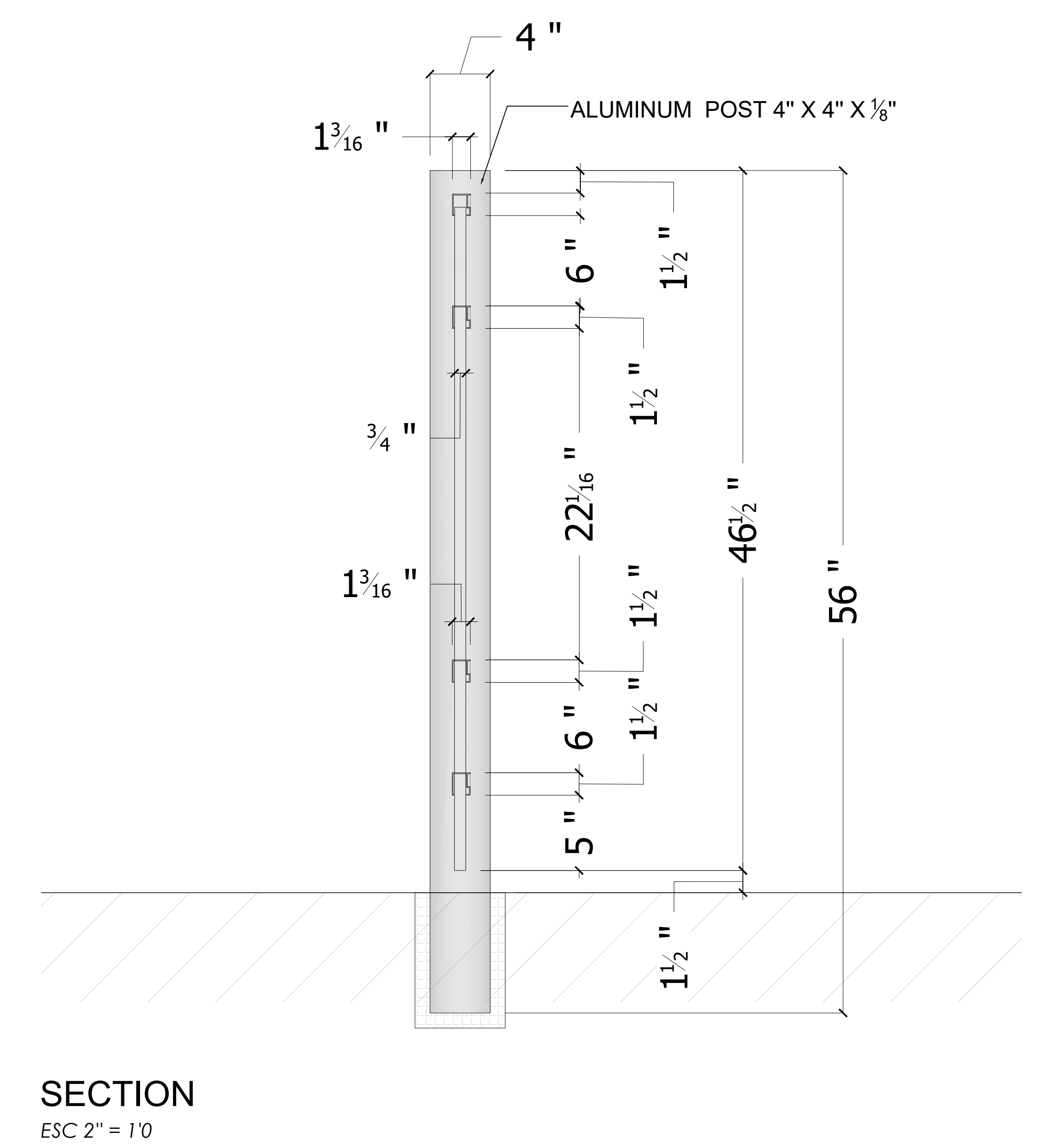
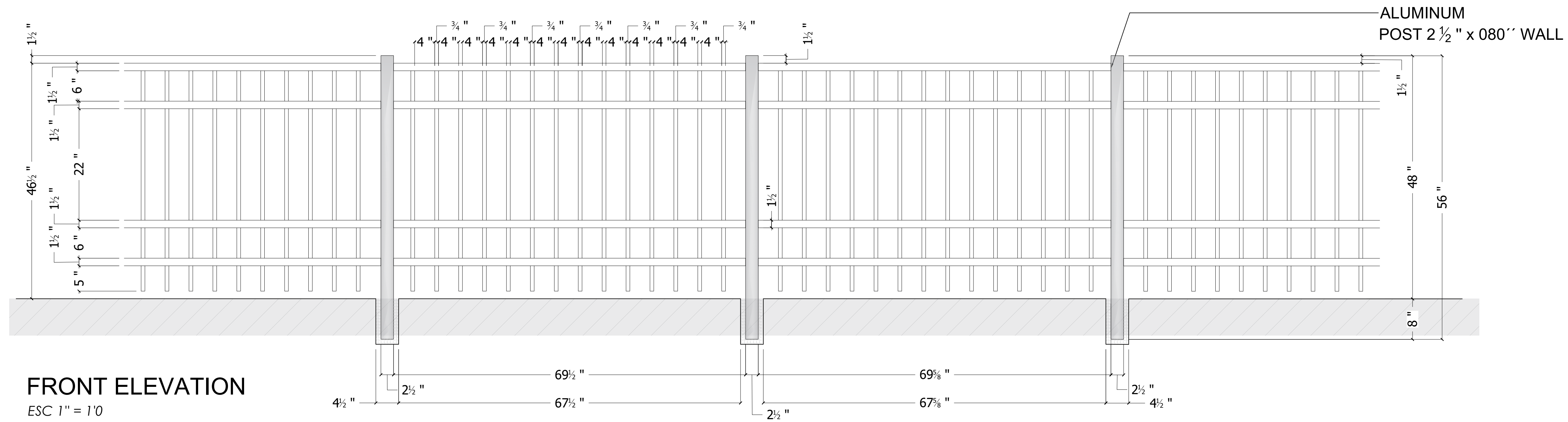
**PROJECT NAME & LOCATION:**  
XXXXXXXXXXXXXXXXXXXXXXXXXXXX  
XXXXXXXXXXXXXXXXXXXXXXXXXXXX

**SHEET TITLE:**  
4' TALL CHAINLINK (IRRIGATION WELL)

**Finish:** Black powder coated

**CAD Drafter**  
GRdesignLLC

**SHEET #**  
07



XXXXXXXXXXXXXXXXXX

**PROJECT NAME & LOCATION:**  
XXXXXXXXXXXXXXXXXXXXXXXXXXXX  
XXXXXXXXXXXXXXXXXXXXXXXXXXXX

**SHEET TITLE:**  
4' TALL ALUMINUM (PERIMETER FENCE)

**Finish:** Black powder coated

**CAD Drafter**  
GRdesignLLC

**SHEET #**  
08

