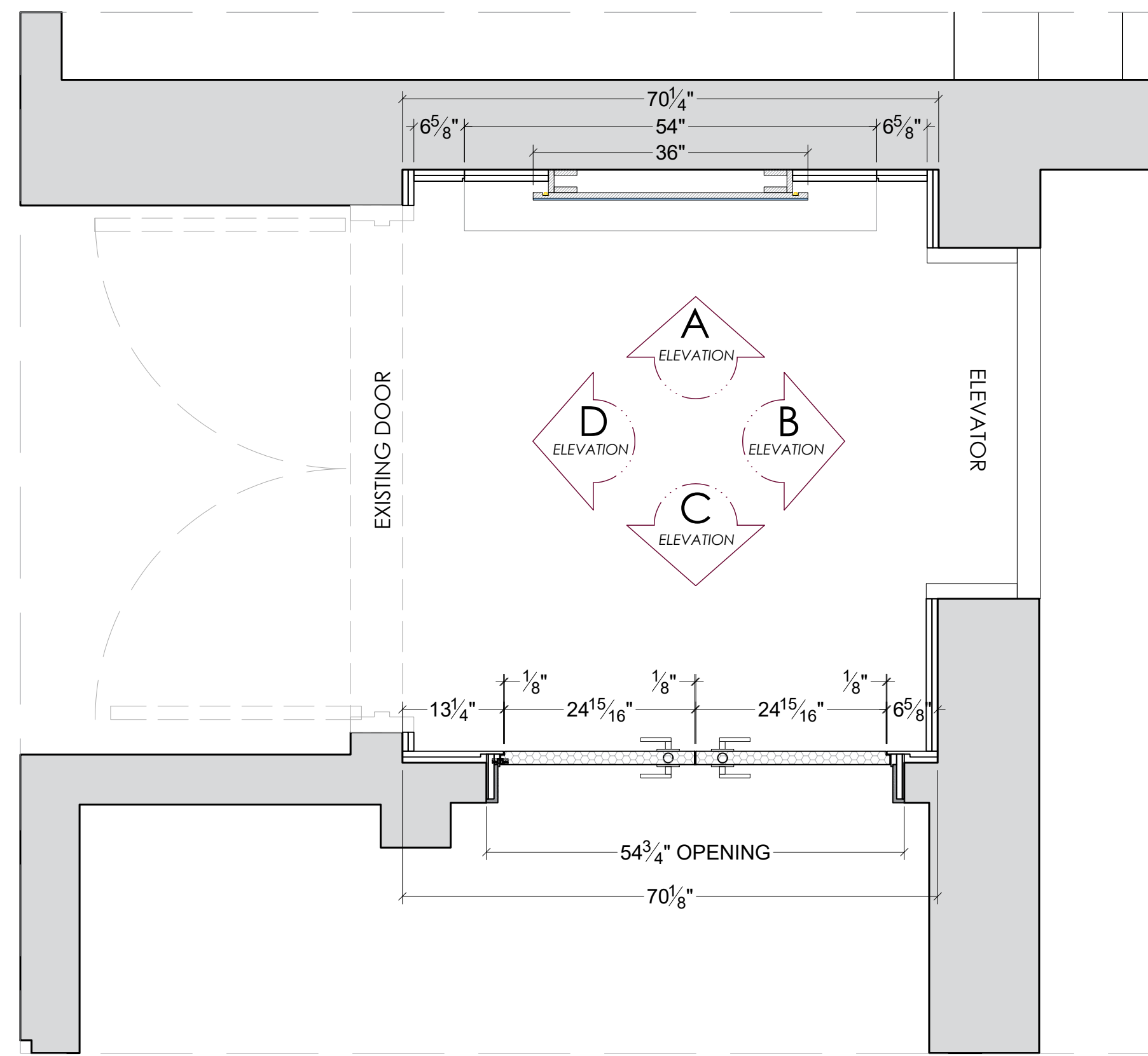


**SCOPE OF WORK - SCISM RESIDENCE**

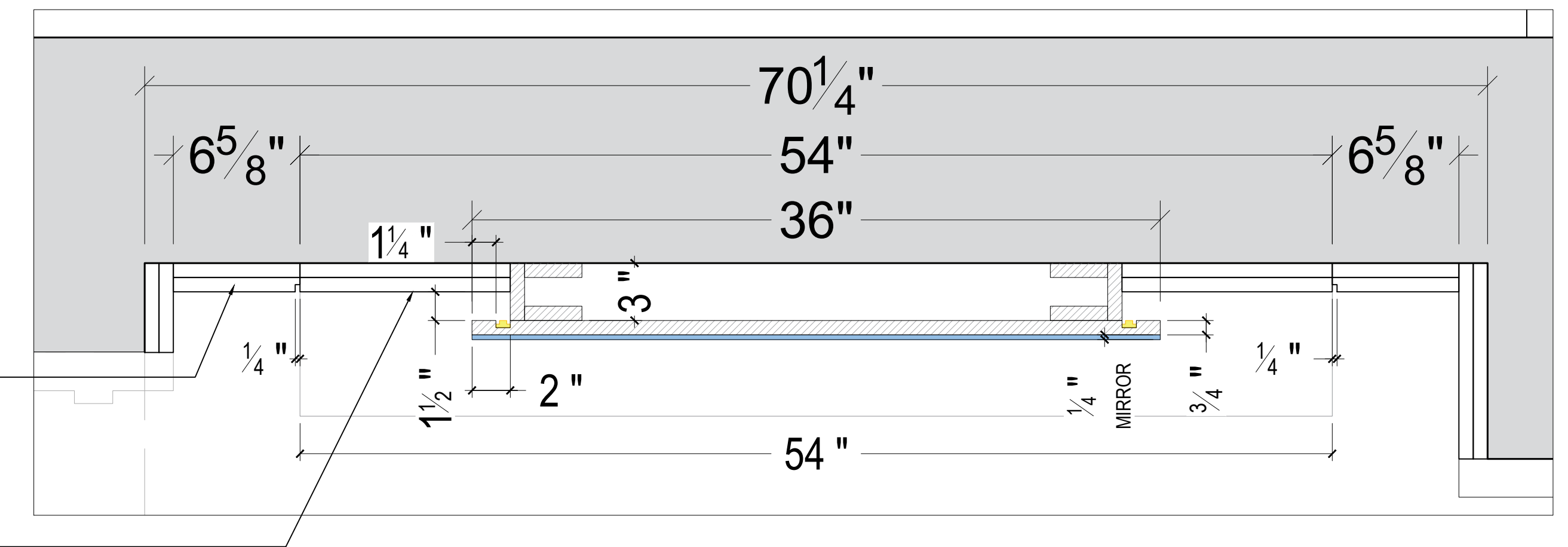
01. ELEVATOR FOYER
02. ENTRY FOYER
03. DESK AREA
04. LIVING ROOM AND BAR AREA
05. POWDER ROOM
06. MASTER BEDROOM



FLOOR SECTION 01  
ESC. 3/4" = 1'0"

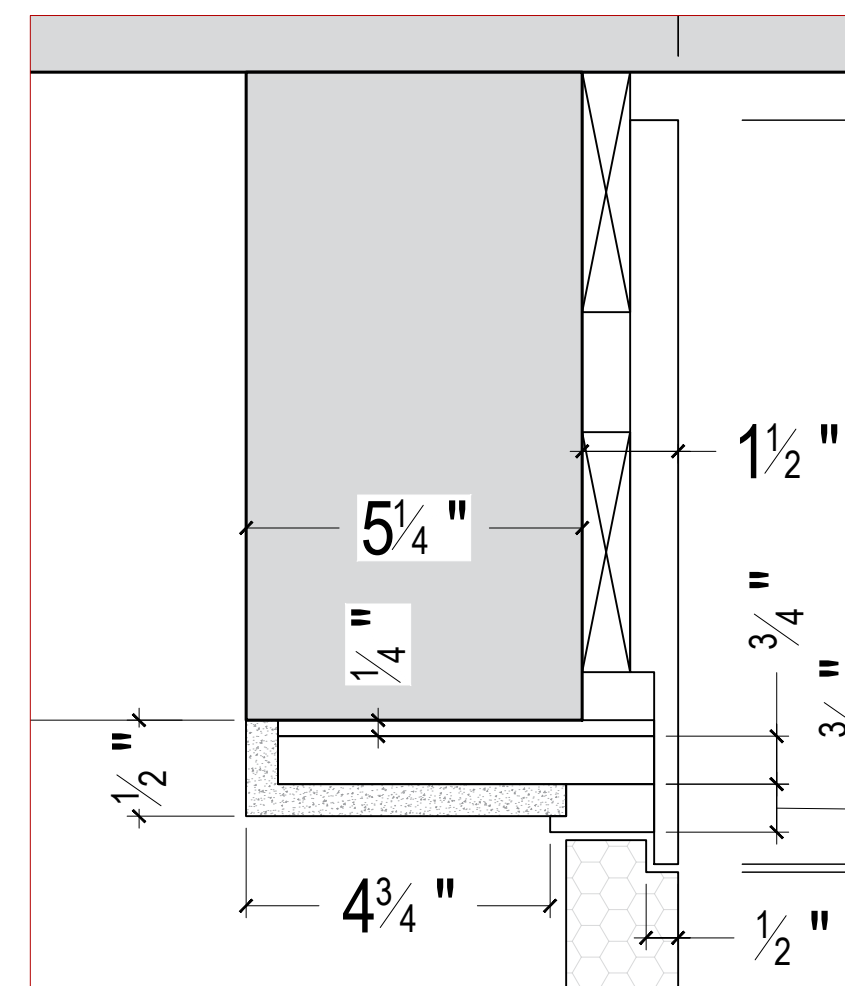
	UTAUPIA ULTRA MATTE GY125		JAKO ONE SIDE DUMMY WITH DEADBOLT
	WOOD LAMINATE: EGGER H3794 ST 12 CHOCOLATE CARINI WALNUT ON WALLS AND DOORS		BLUM SOFT CLOSE HINGES & SLIDES

- SCOPE OF WORK:**
- LAMINATE WALL PANELING ON ALL WALLS
  - CLAD EXISTING ENTRANCE DOORS ON BOTH SIDES
  - NEW DOORS (INTO SERVICE ELEVATOR)
  - CLEAR BACKLIT MIRROR
  - FLOATING CONSOLE

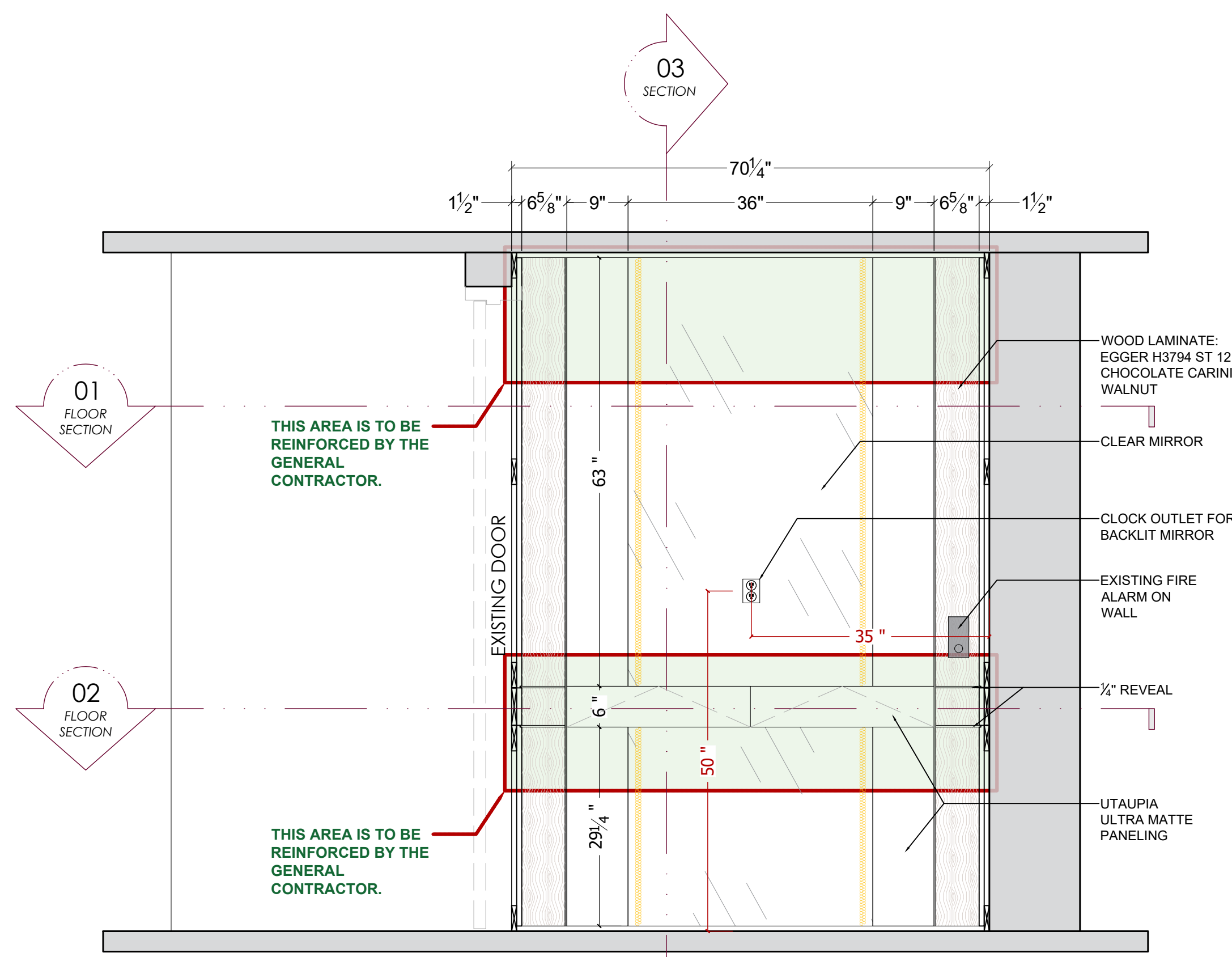
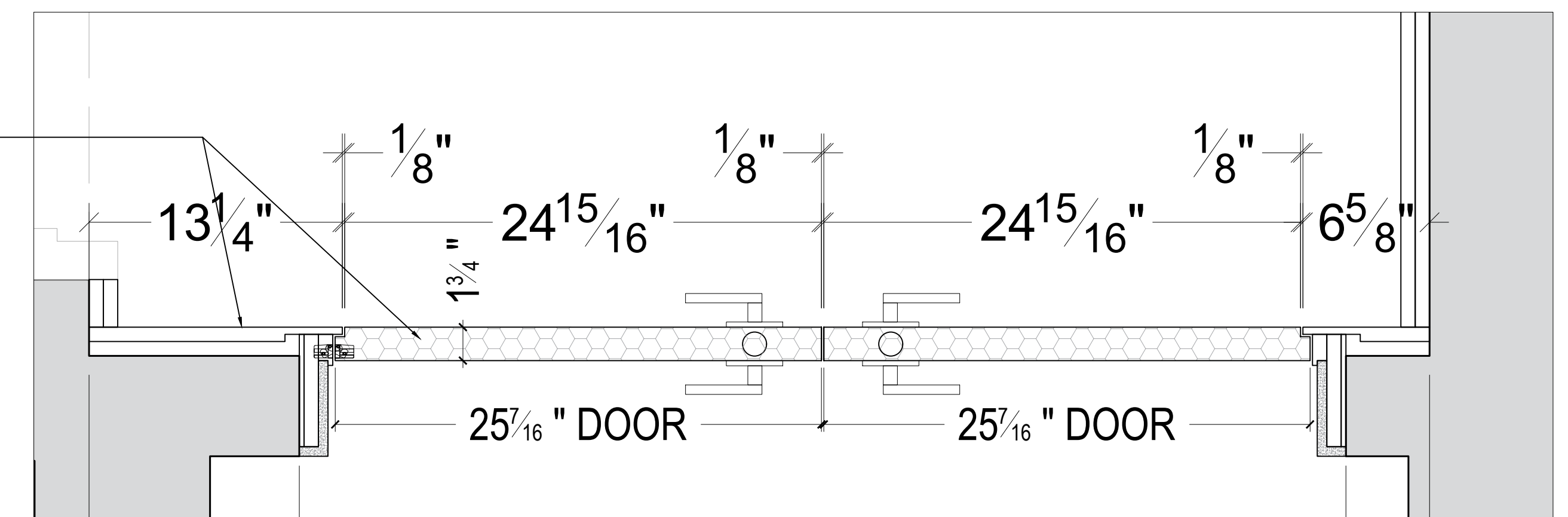


WOOD LAMINATE: EGGER H3794 ST 12 CHOCOLATE CARINI WALNUT

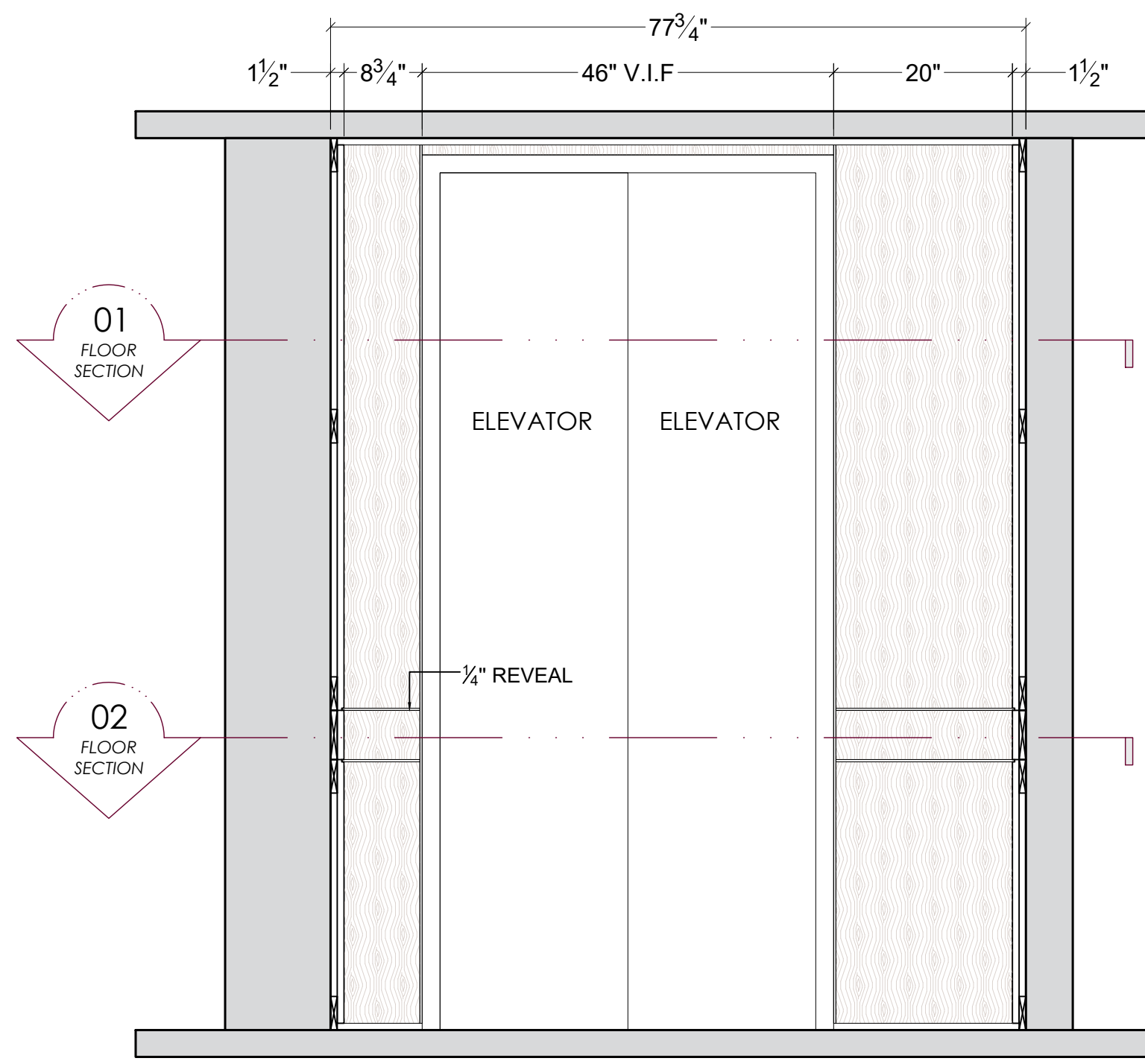
UTAUPIA ULTRA MATTE PANELING



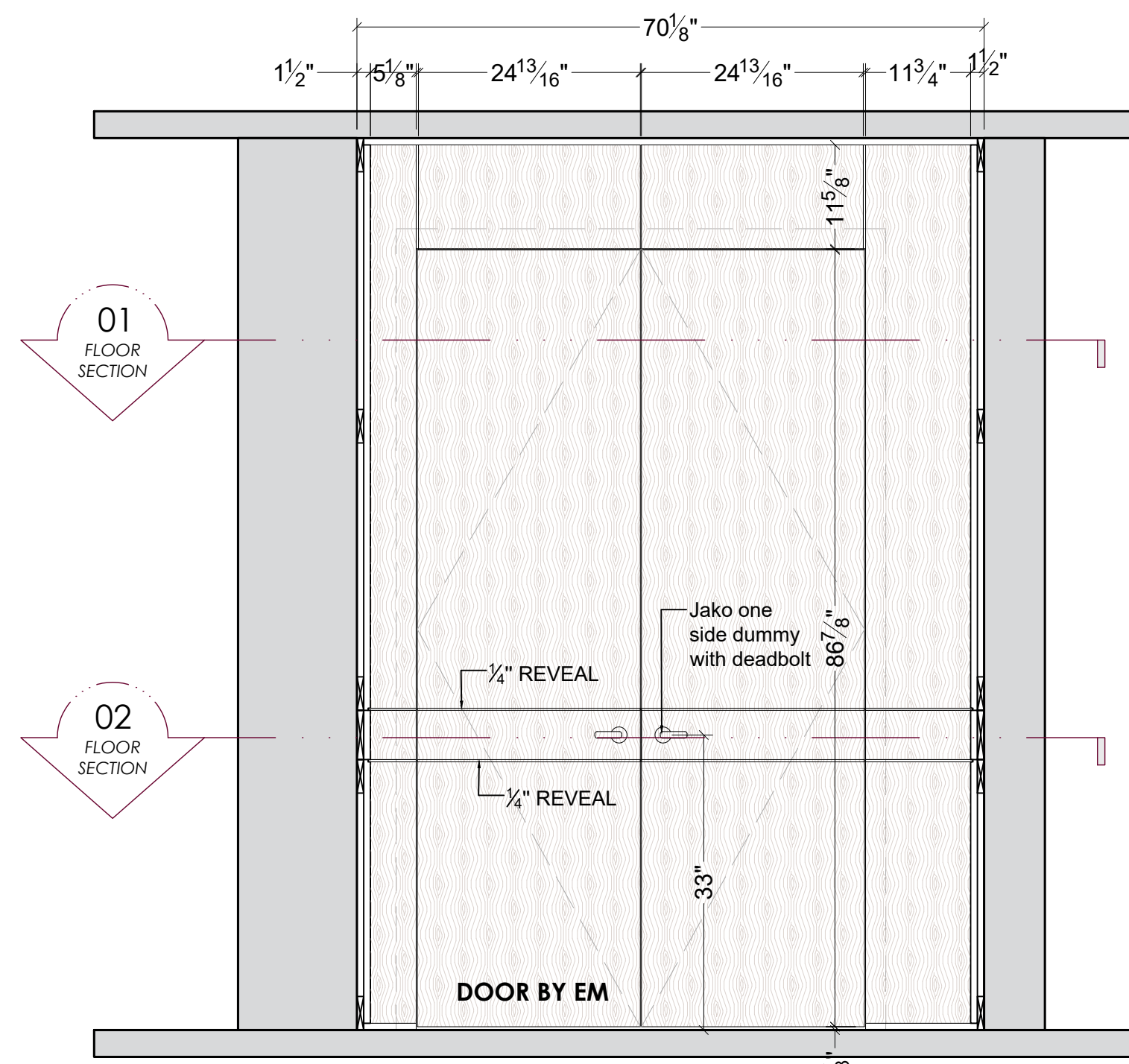
WOOD LAMINATE: EGGER H3794 ST 12 CHOCOLATE CARINI WALNUT



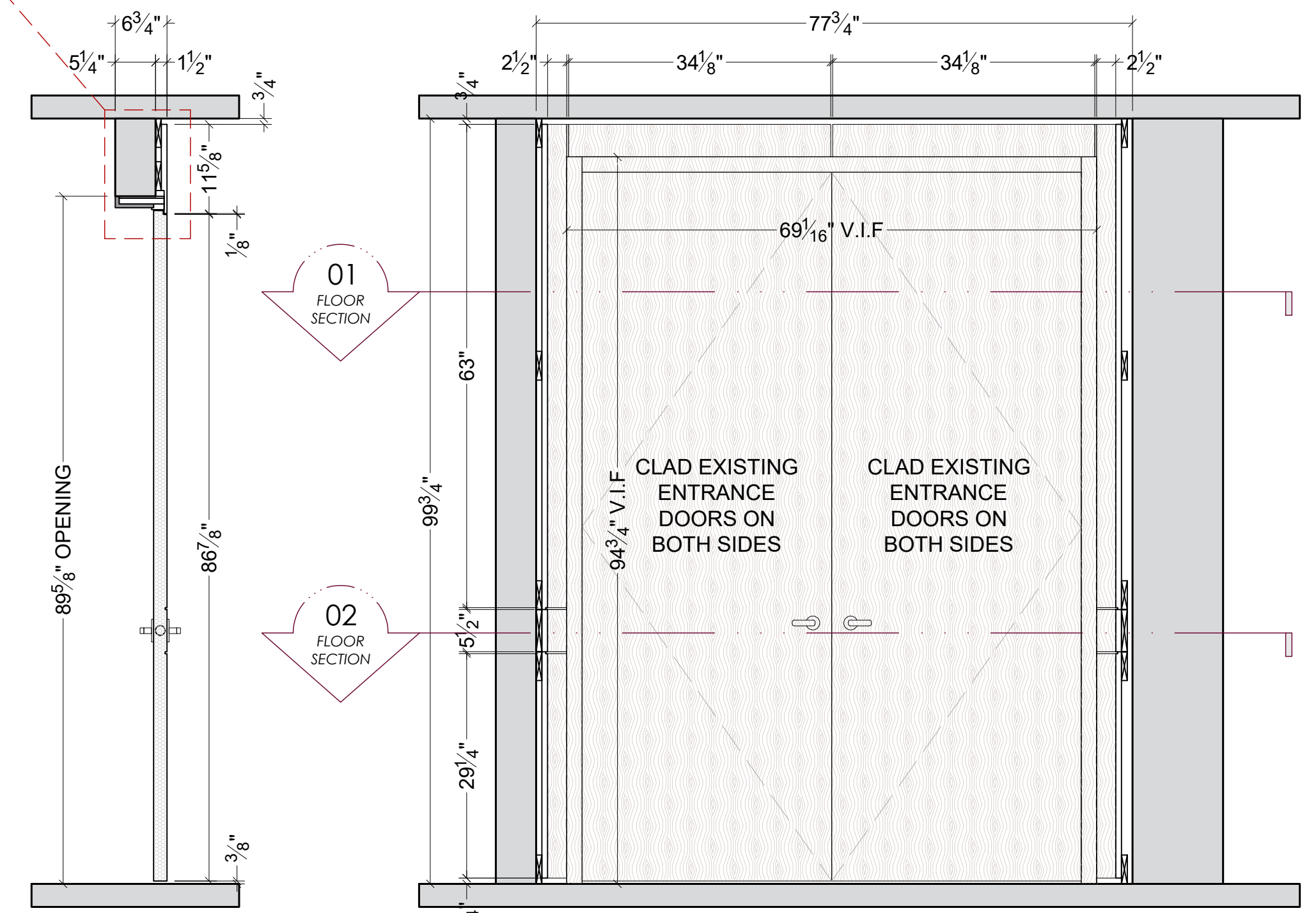
ELEVATION A  
ESC. 3/4" = 1'0"



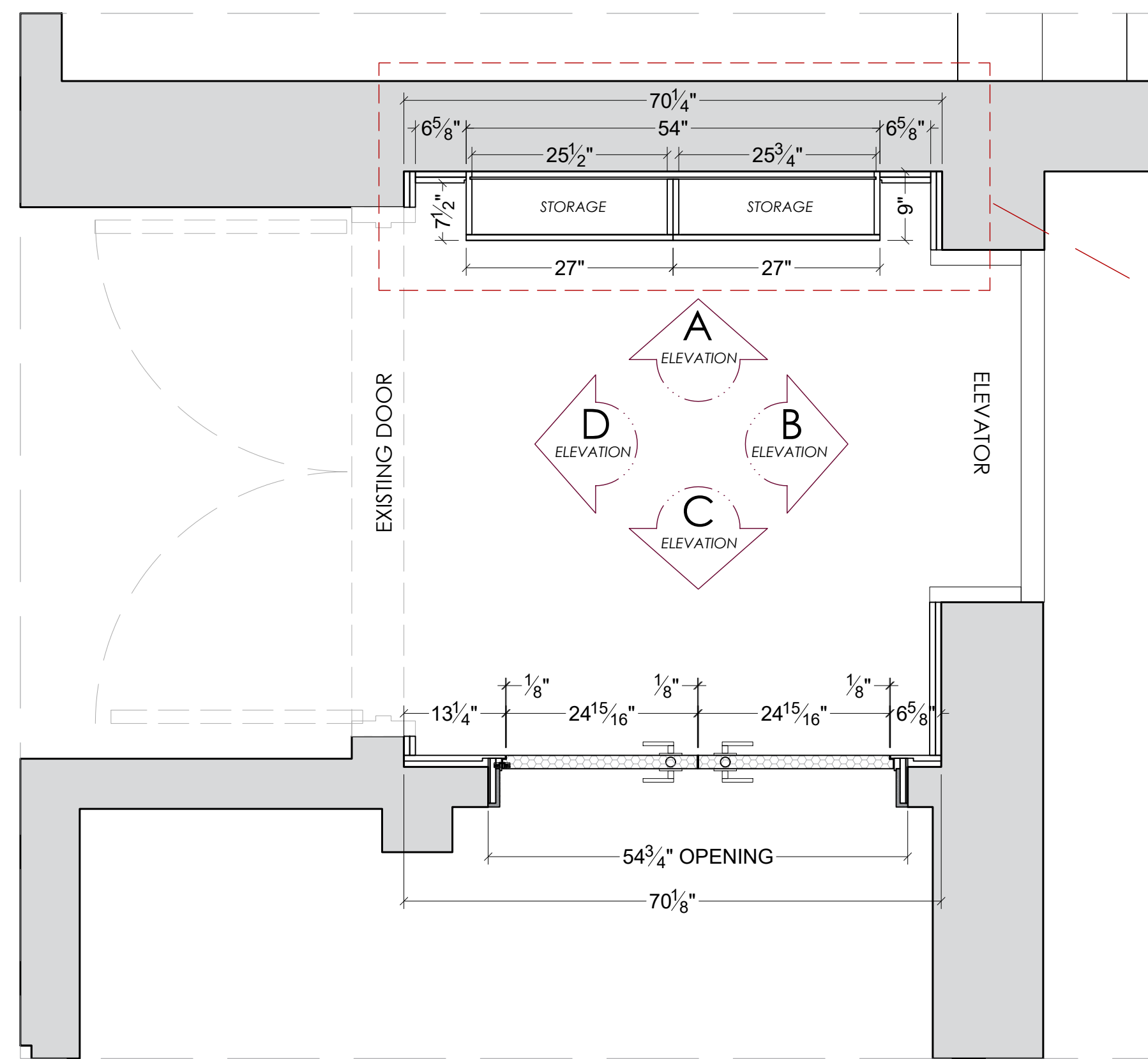
ELEVATION B  
ESC. 3/4" = 1'0"



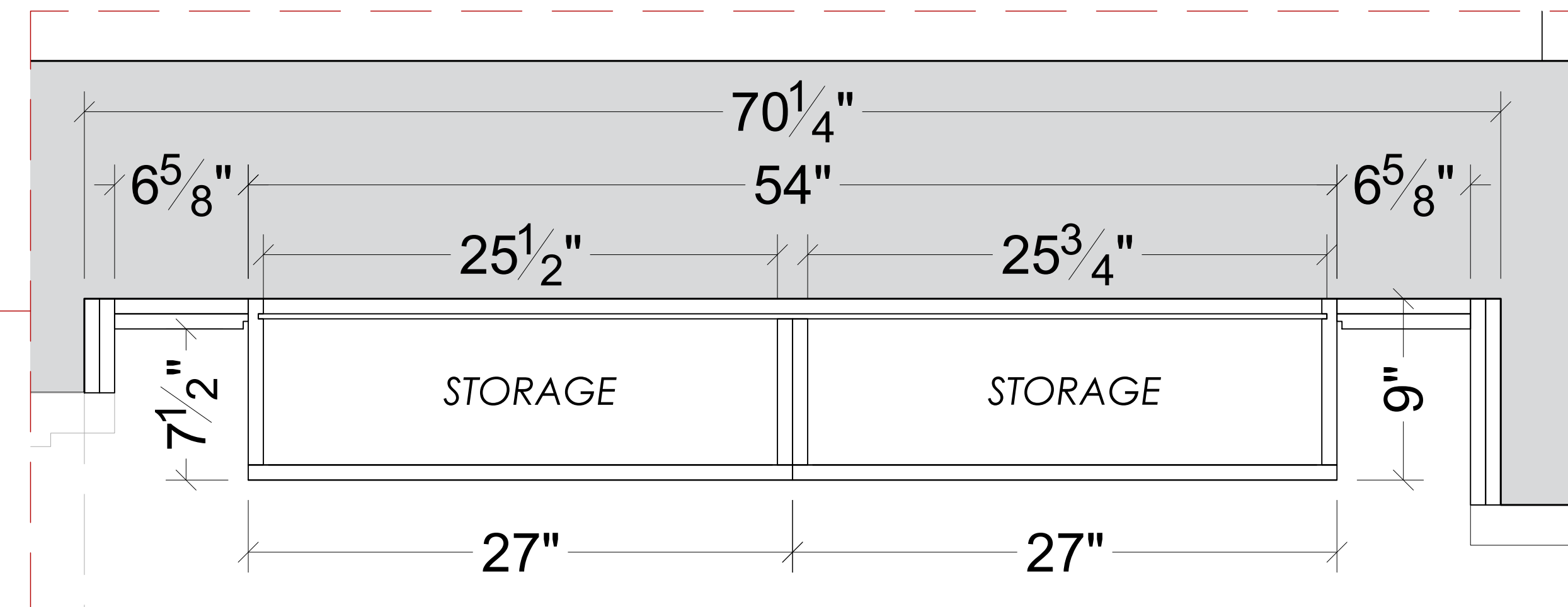
ELEVATION C  
ESC. 3/4" = 1'0"



ELEVATION D  
ESC. 3/4" = 1'0"



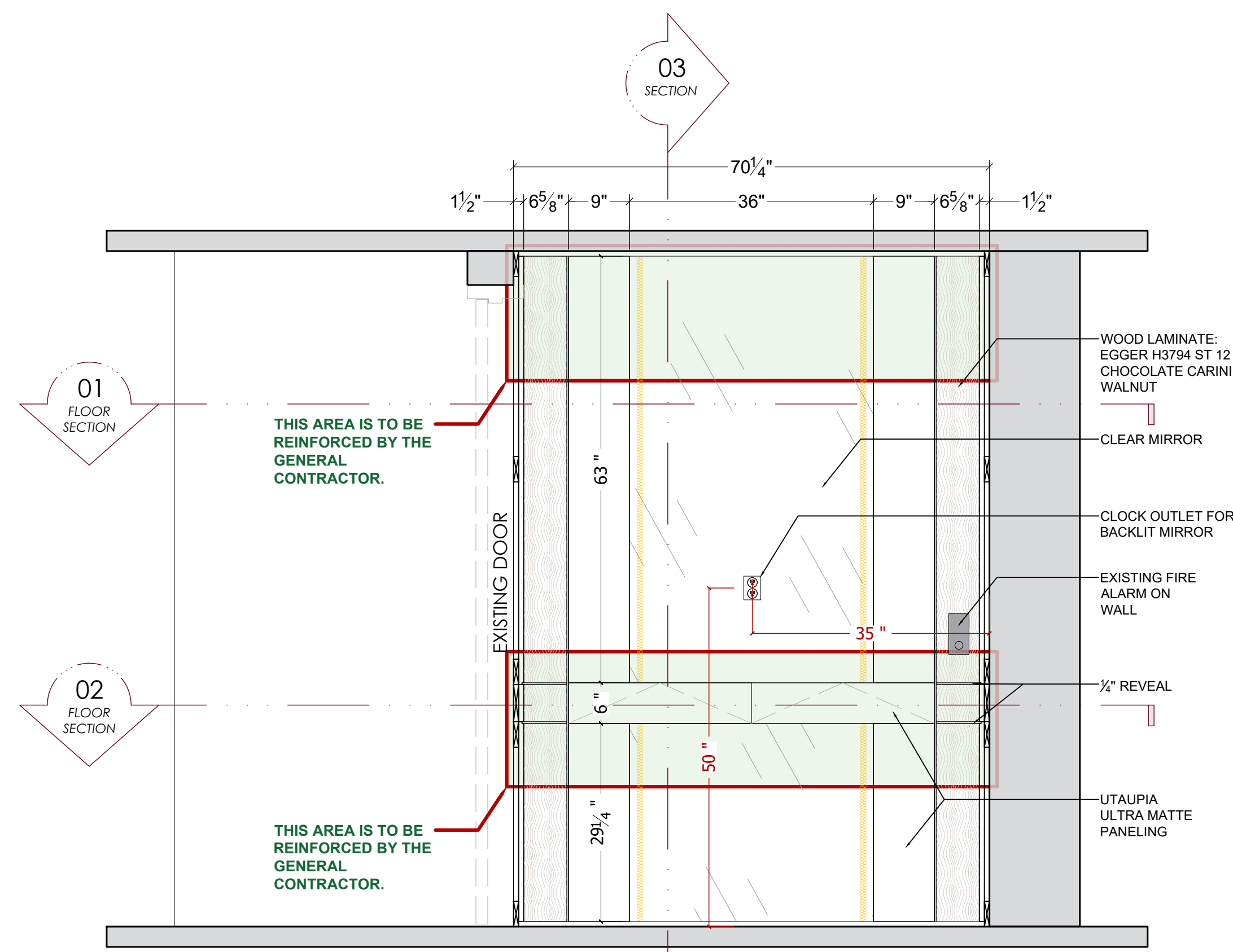
FLOOR SECTION 01  
ESC. 3/4" = 1'0"



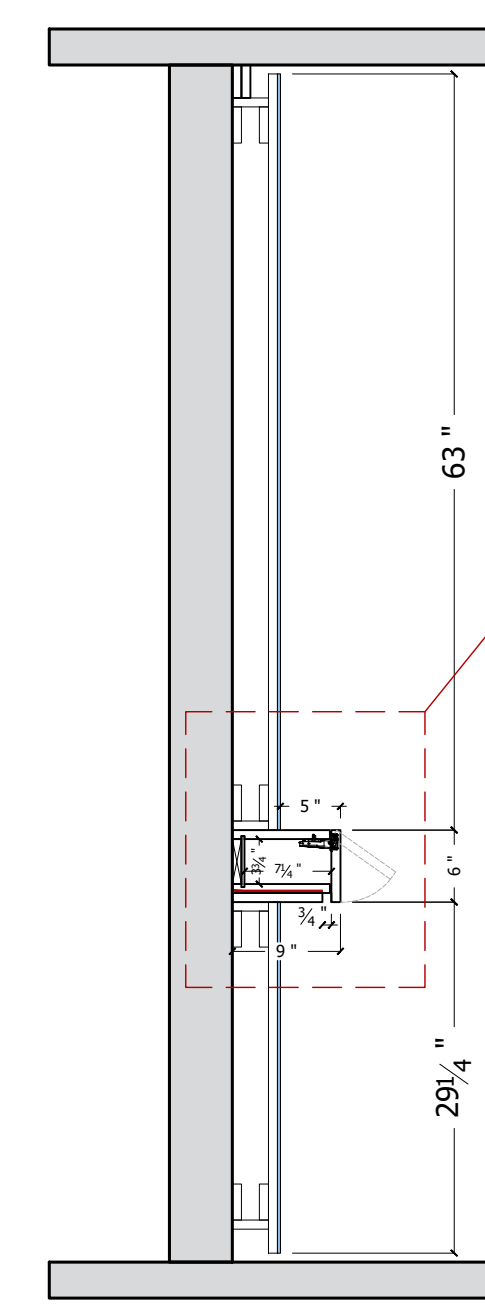
DETAIL - FLOOR SECTION  
ESC. 2" = 1'0"

	UTAUPIA ULTRA MATTE GY125
	WOOD LAMINATE: EGGER H3794 ST 12 CHOCOLATE CARINI WALNUT ON WALLS AND DOORS
	BLUM SOFT CLOSE HINGES & SLIDES

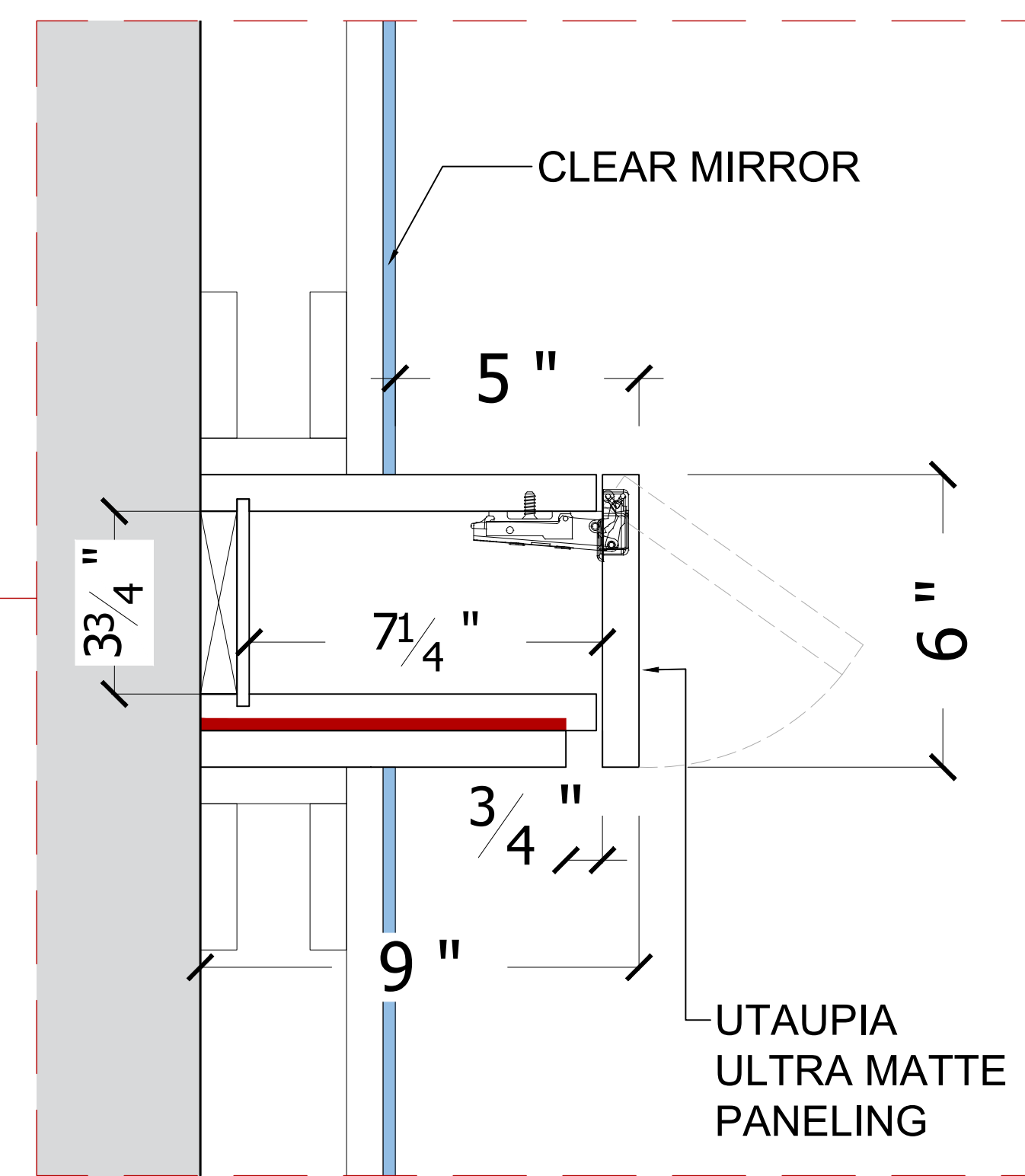
- SCOPE OF WORK:**
- LAMINATE WALL PANELING ON ALL WALLS
  - CLAD EXISTING ENTRANCE DOORS ON BOTH SIDES
  - NEW DOORS (INTO SERVICE ELEVATOR)
  - CLEAR BACKLIT MIRROR
  - FLOATING CONSOLE



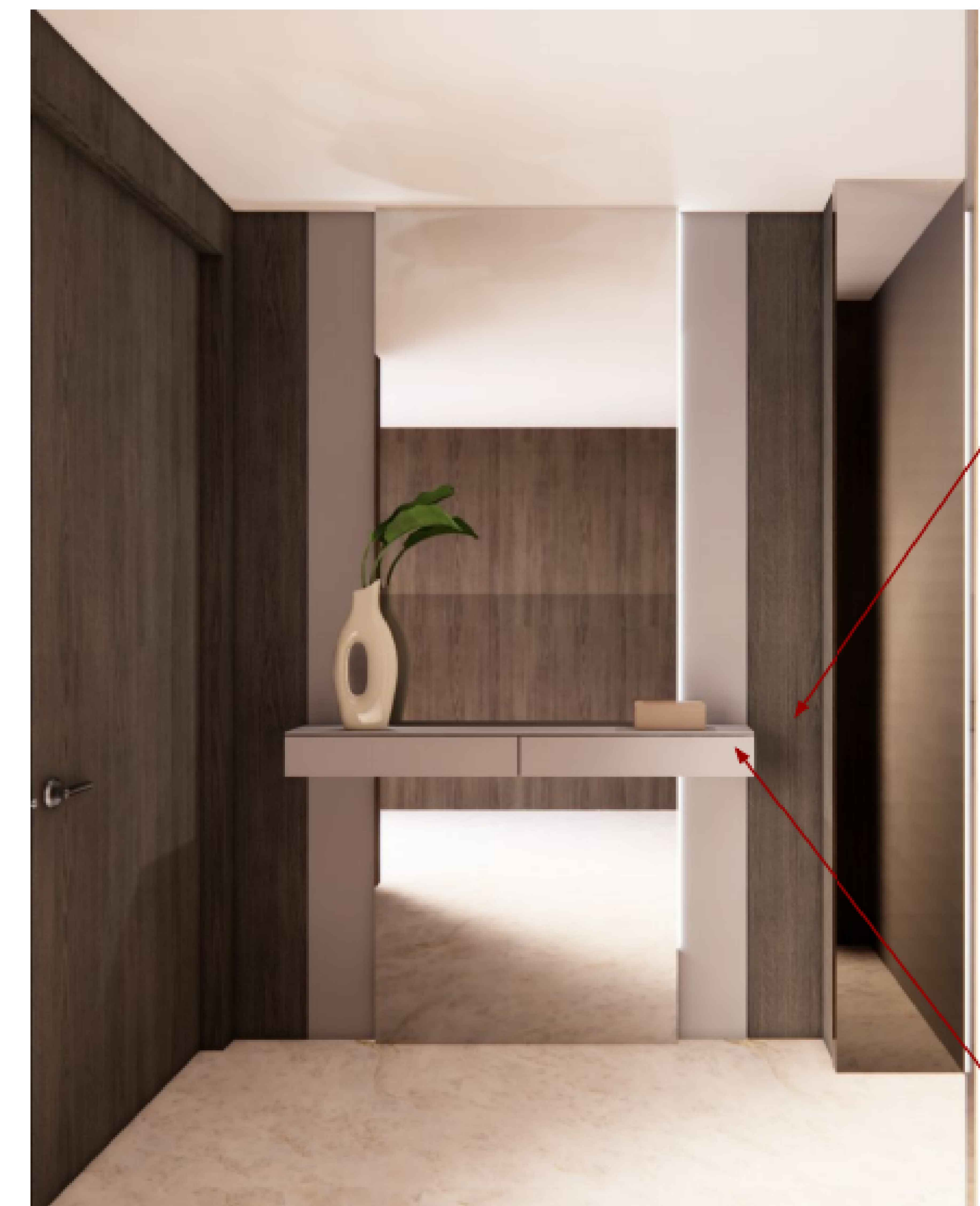
ELEVATION A  
ESC. 3/4" = 1'0"



SECTION 03  
ESC. 3/4" = 1'0"



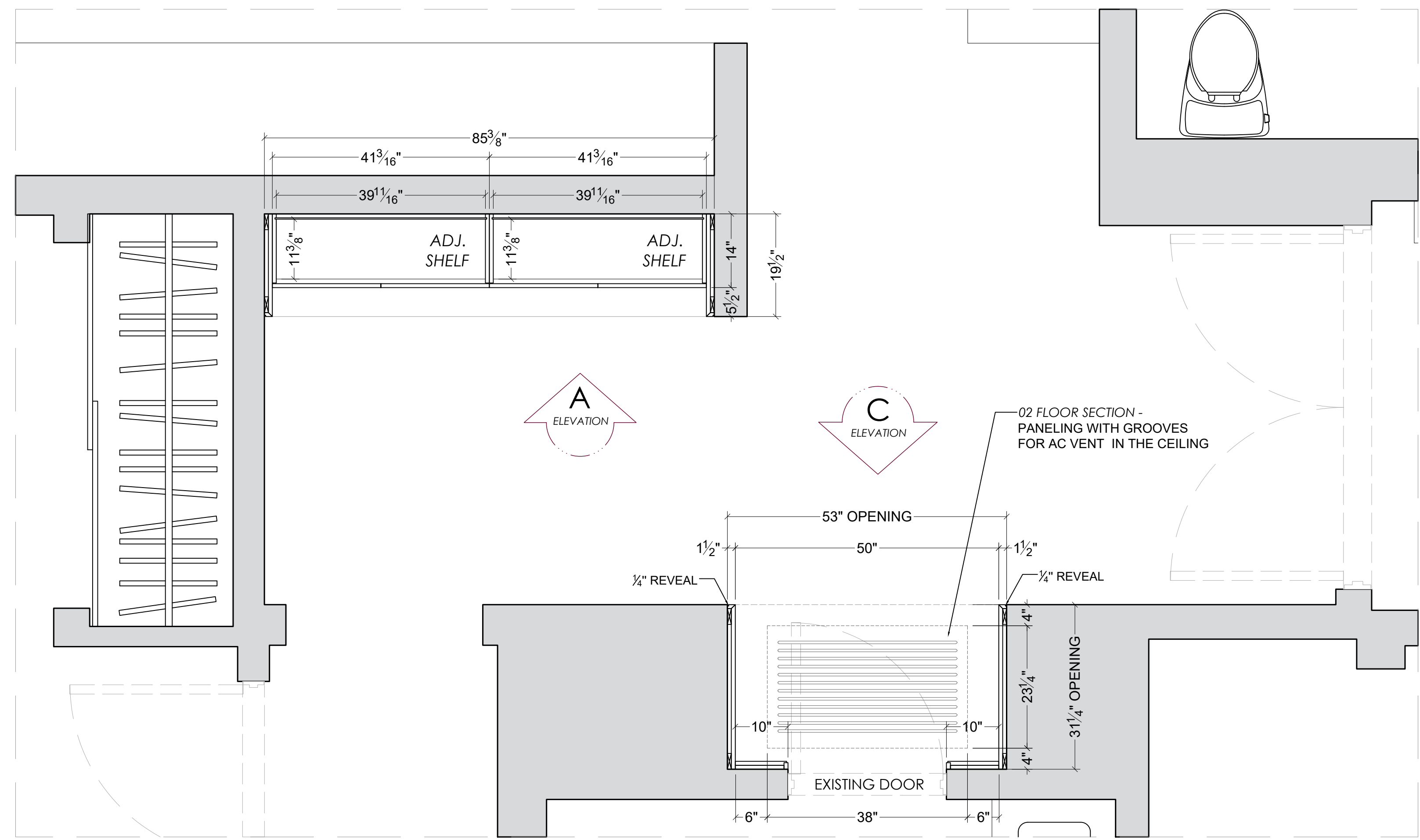
DETAIL - SECTION  
ESC. 4" = 1'0"



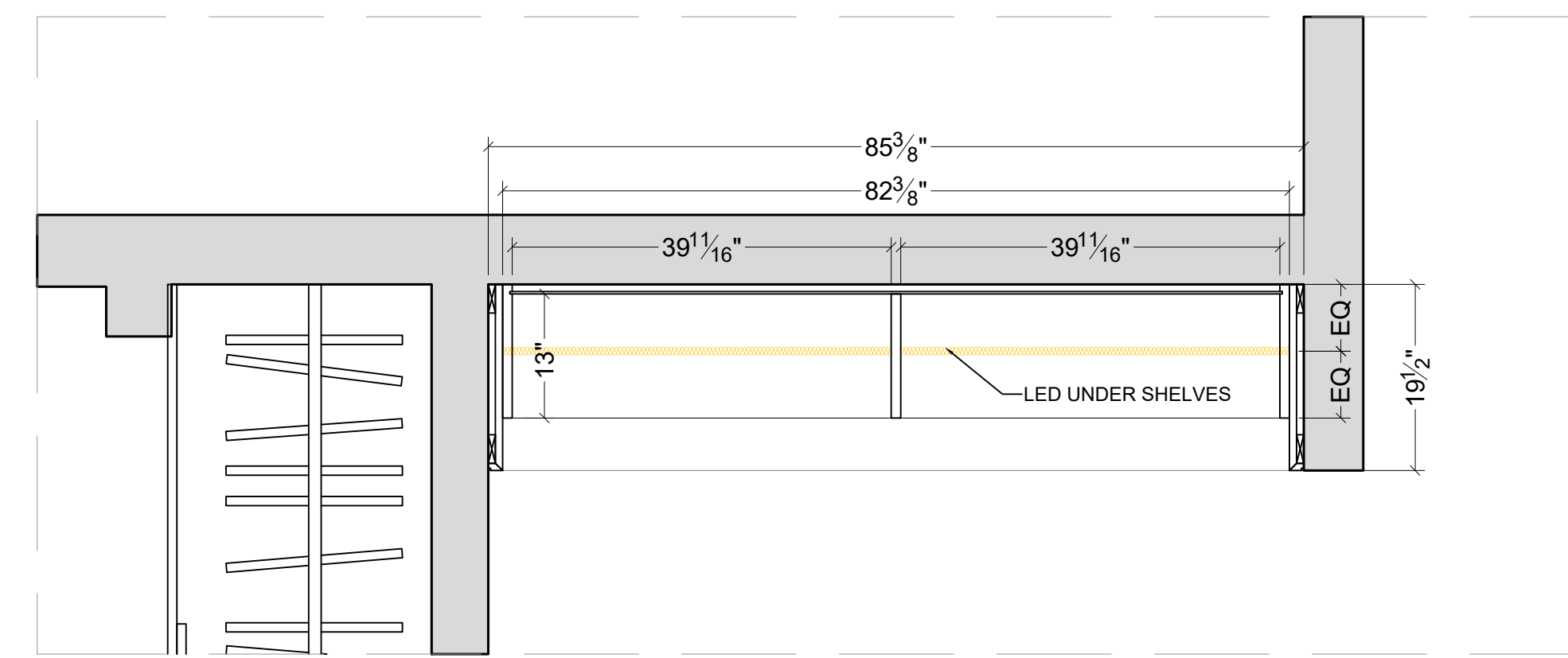
GC TO REVIEW  
WITH  
CARPENTER FOR  
ACCESS FOR  
EXISTING FIRE  
ALARM ON  
WALL

GC TO  
REINFORCE  
WALL

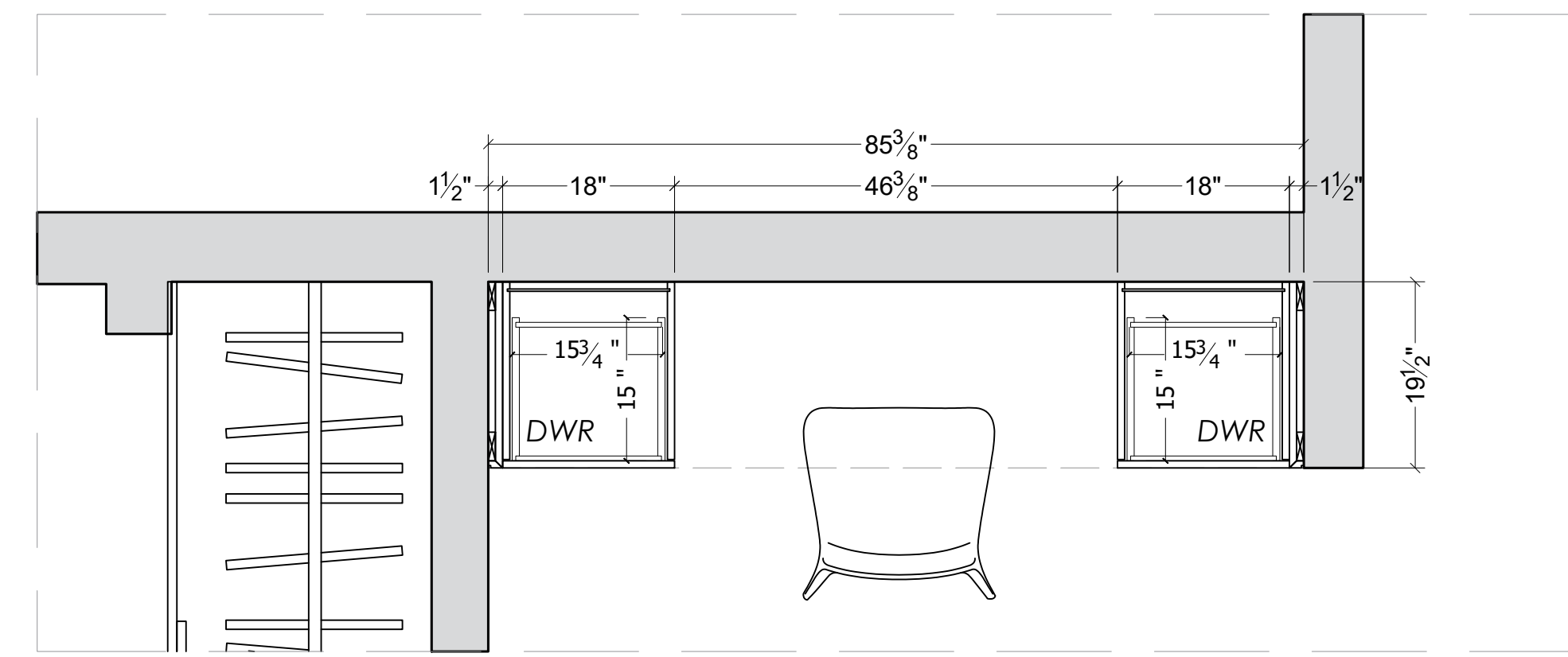
Inspiration based on renders prepared by the designer. The images shown do NOT exactly represent the final conditions nor replace the technical drawings; they are intended solely as a visual reference to better understand the design intent.



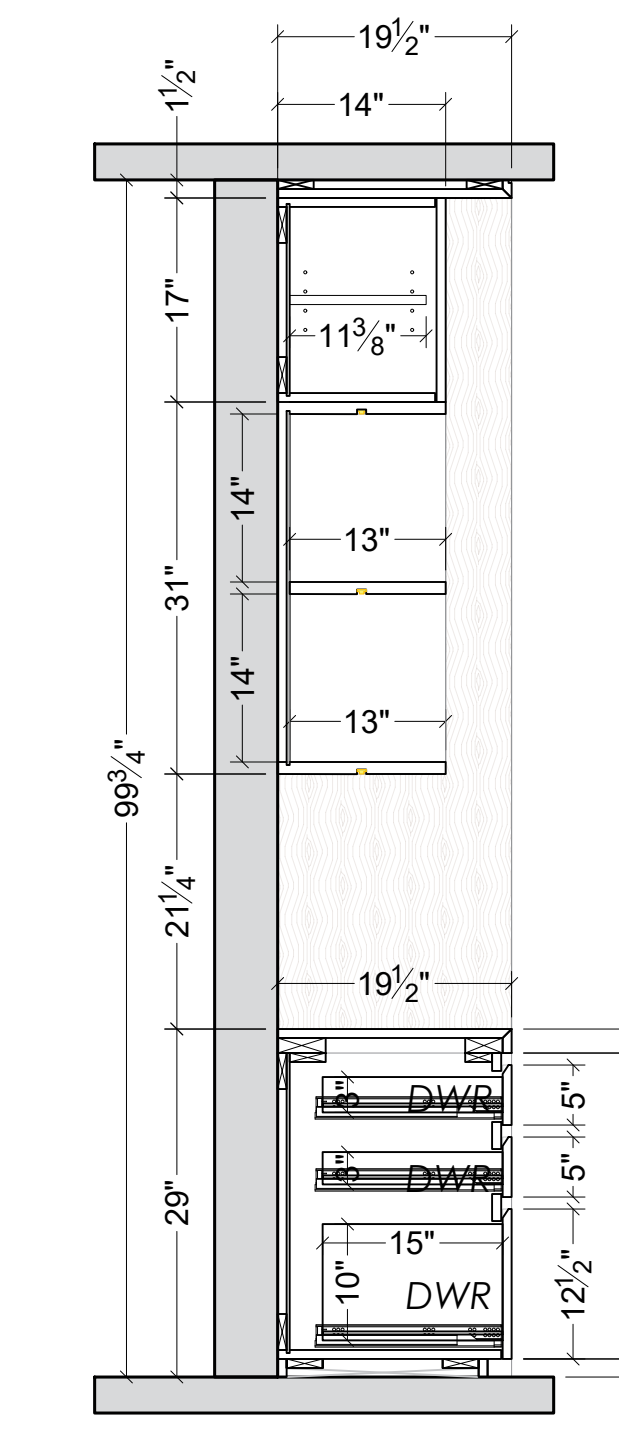
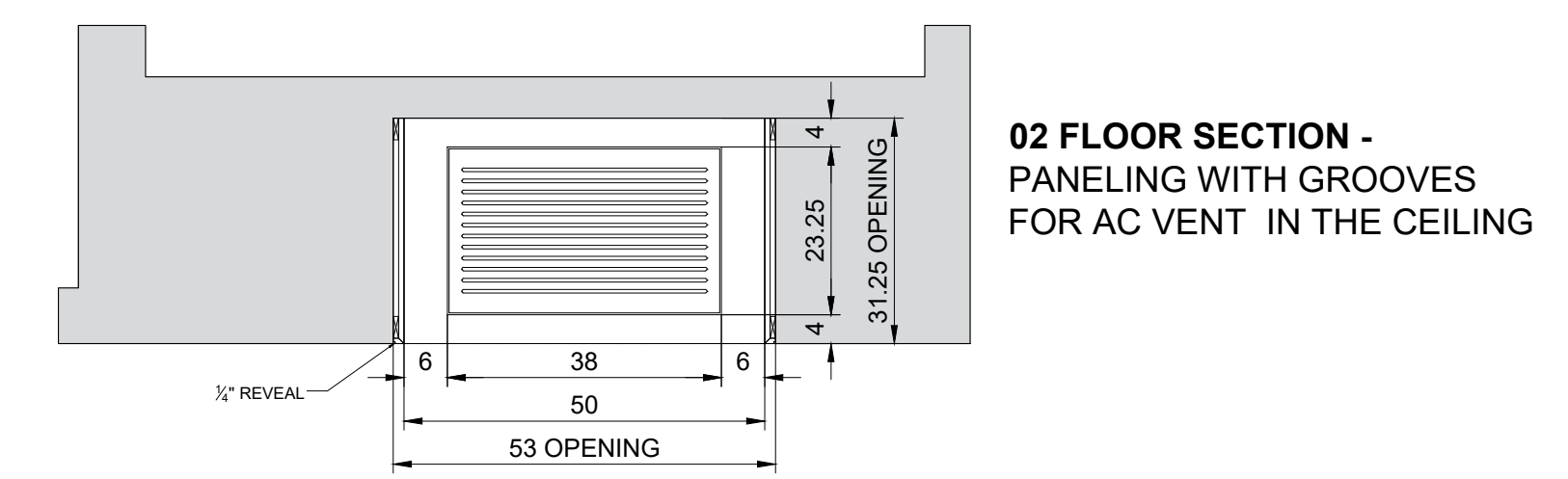
FLOOR SECTION 01  
ESC. 3/4" = 1'0"



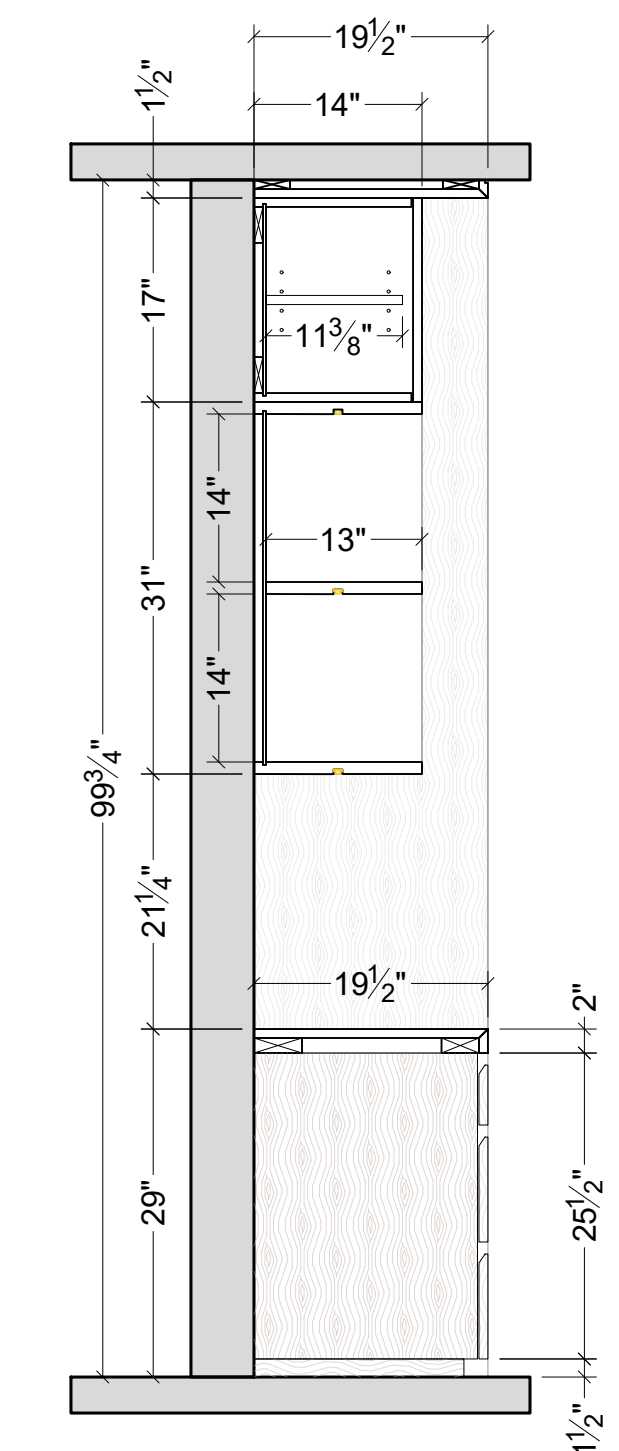
FLOOR SECTION 02  
ESC. 3/4" = 1'0"



FLOOR SECTION 03  
ESC. 3/4" = 1'0"



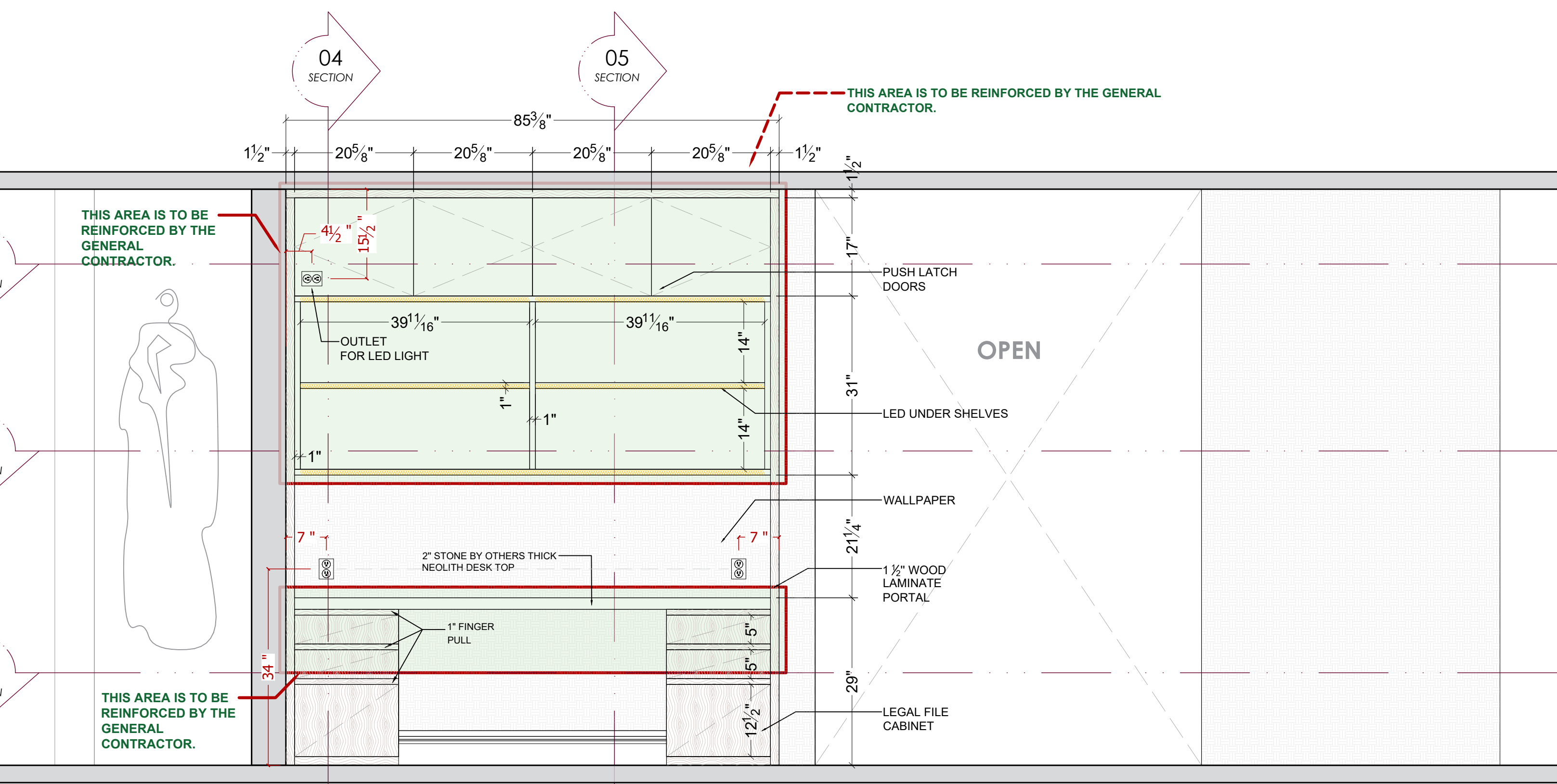
SECTION 04  
ESC. 3/4" = 1'0"



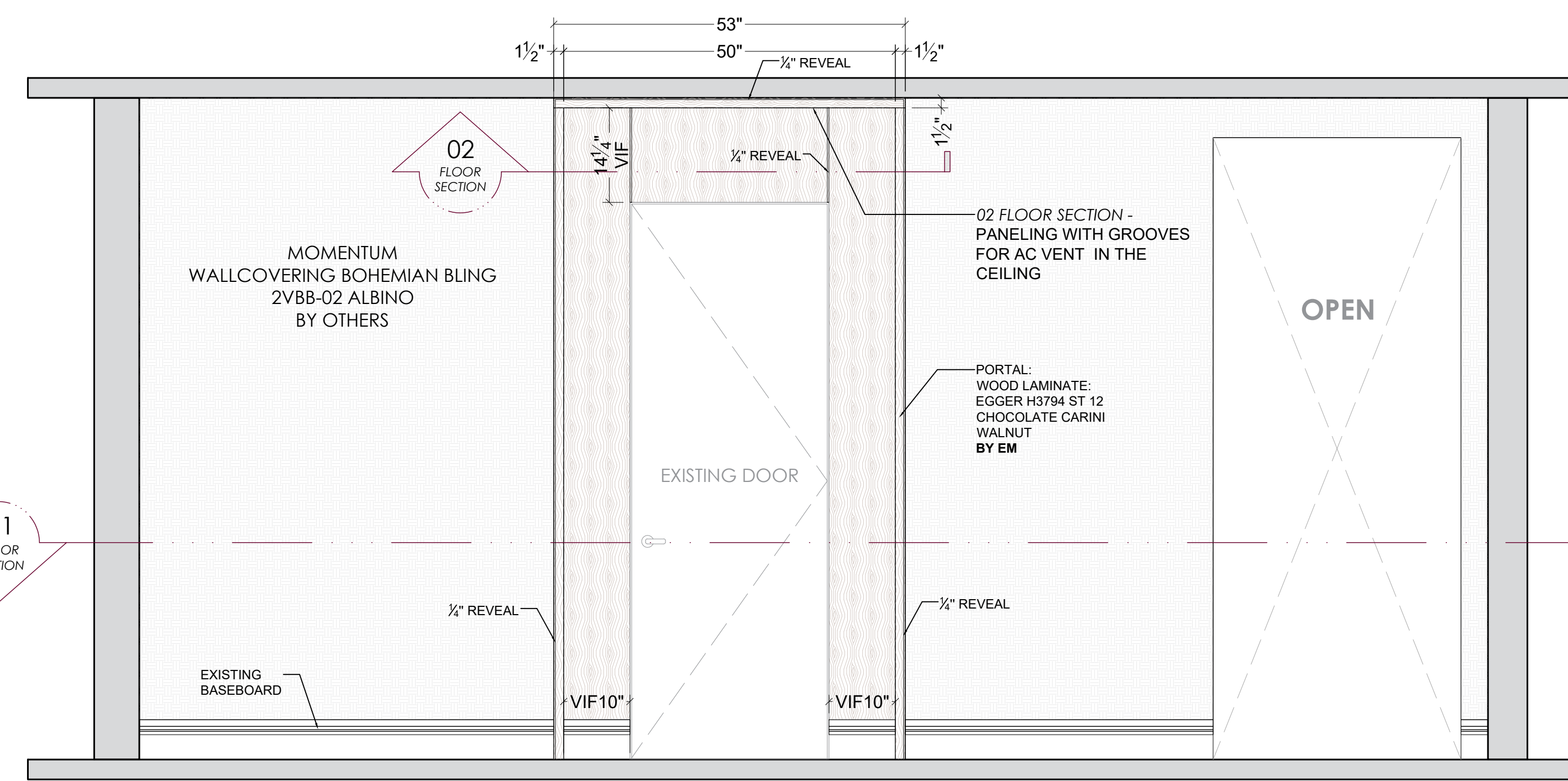
SECTION 05  
ESC. 3/4" = 1'0"

- SCOPE OF WORK:**
- CABINETS UPPER PUSH LATCH DOORS AND SHELVES TO HAVE LED LIGHT.
  - CABINETS CABINET WITH FINGER PULL DWR.
  - PREPARE DESK TO RECEIVED STONE TOP.

	BLUM SOFT CLOSE HINGES & SLIDES
	UTAUPIA ULTRA MATTE GY125
	WOOD LAMINATE: EGGER H3794 ST 12 CHOCOLATE CARINI WALNUT ON WALLS AND DOORS
	MOMENTUM WALLCOVERING BOHEMIAN BLING 2VBB-02 ALBINO BY OTHERS
	2" STONE HICK NEOLITH DESK TOP BY OTHERS



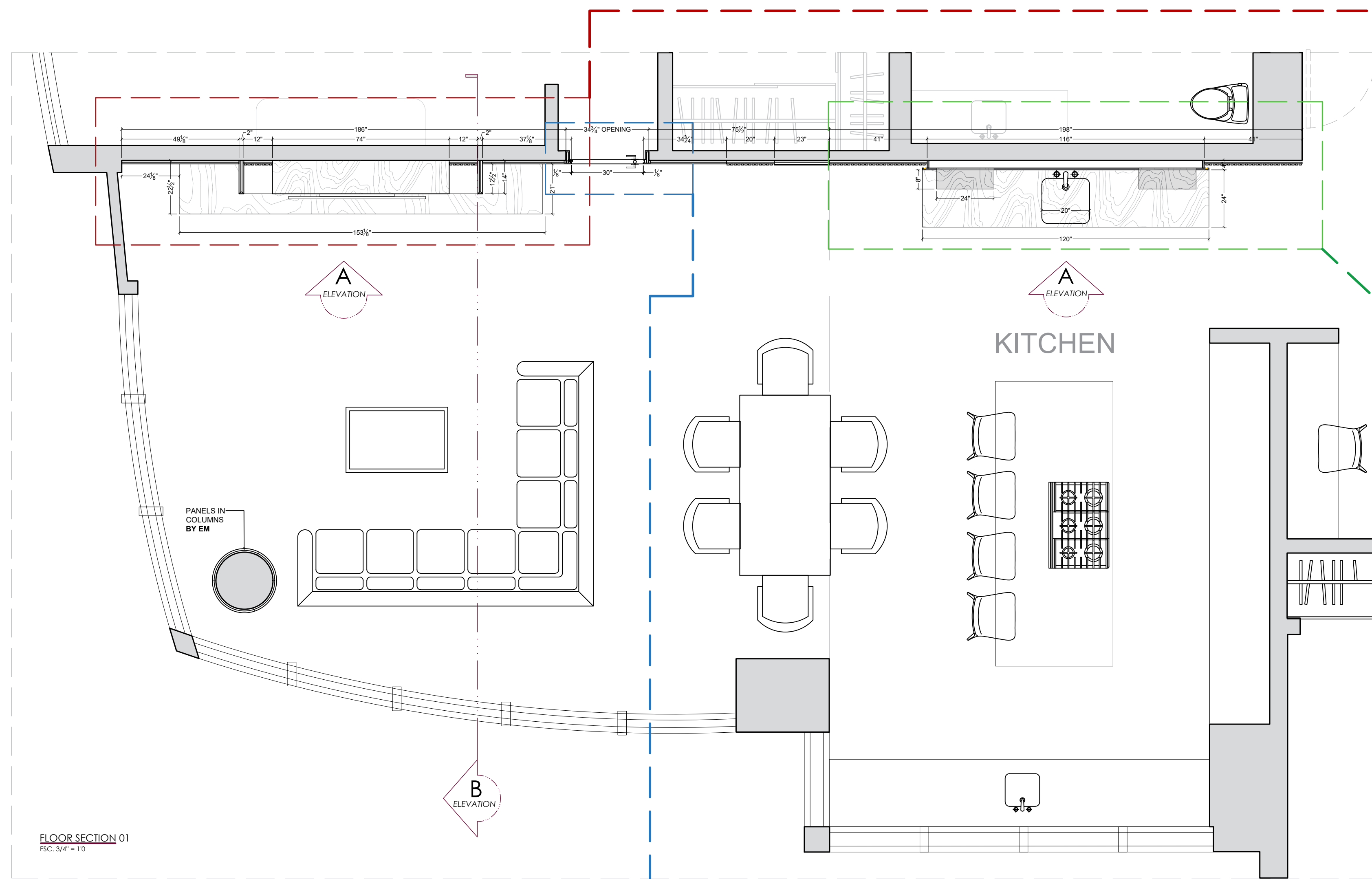
ELEVATION A  
ESC. 3/4" = 1'0"



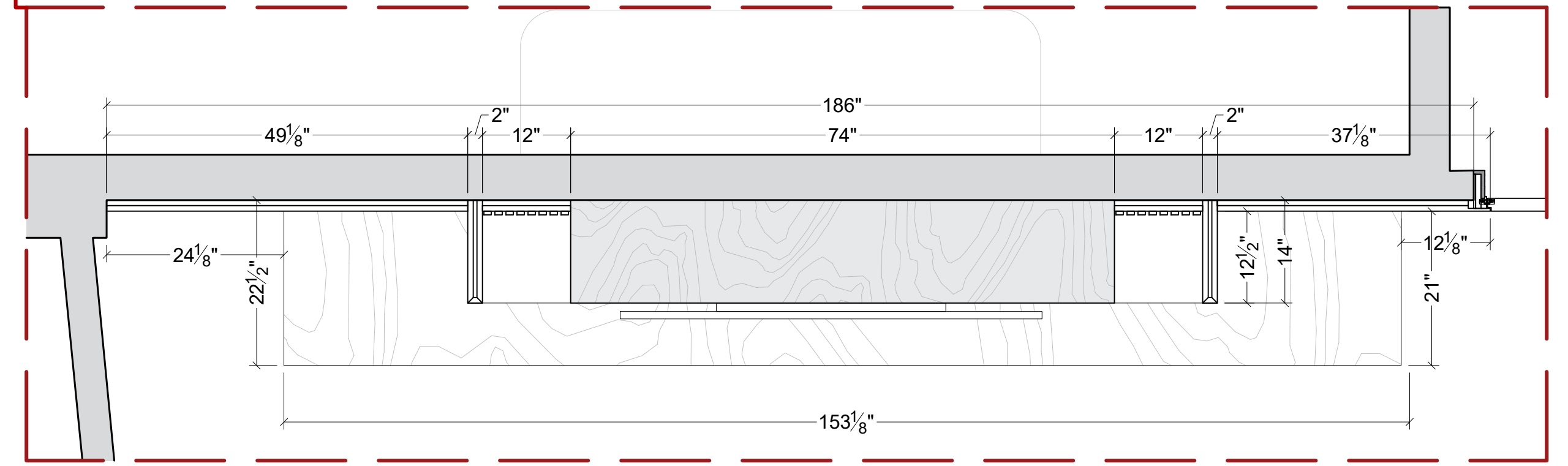
ELEVATION B  
ESC. 3/4" = 1'0"



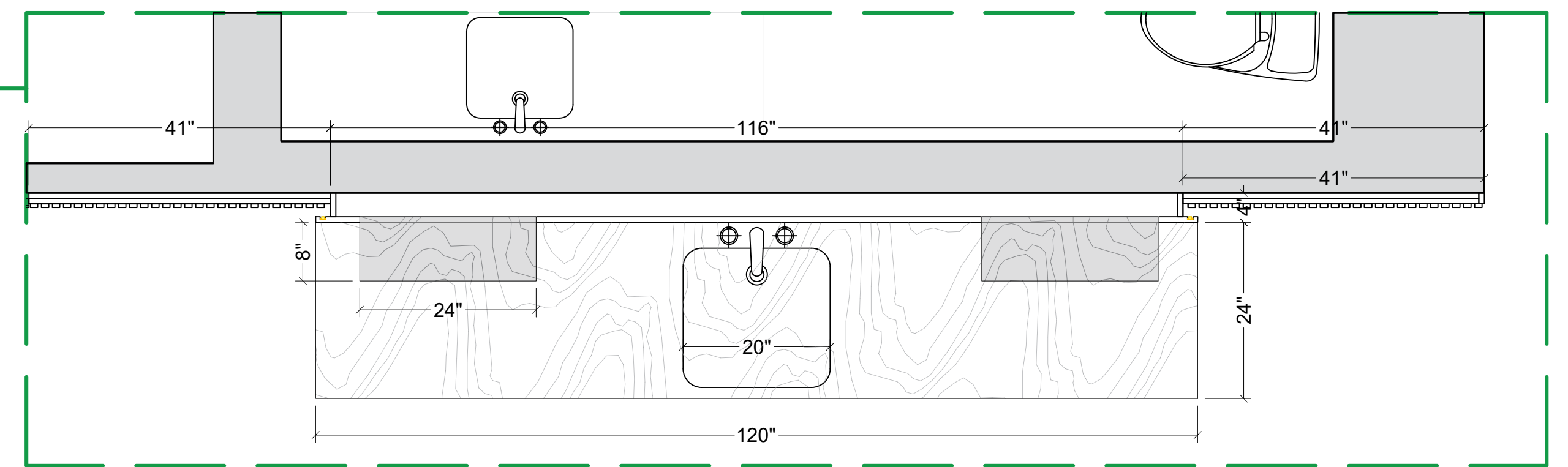
Inspiration based on renders prepared by the designer. The images shown do NOT exactly represent the final conditions nor replace the technical drawings; they are intended solely as a visual reference to better understand the design intent.



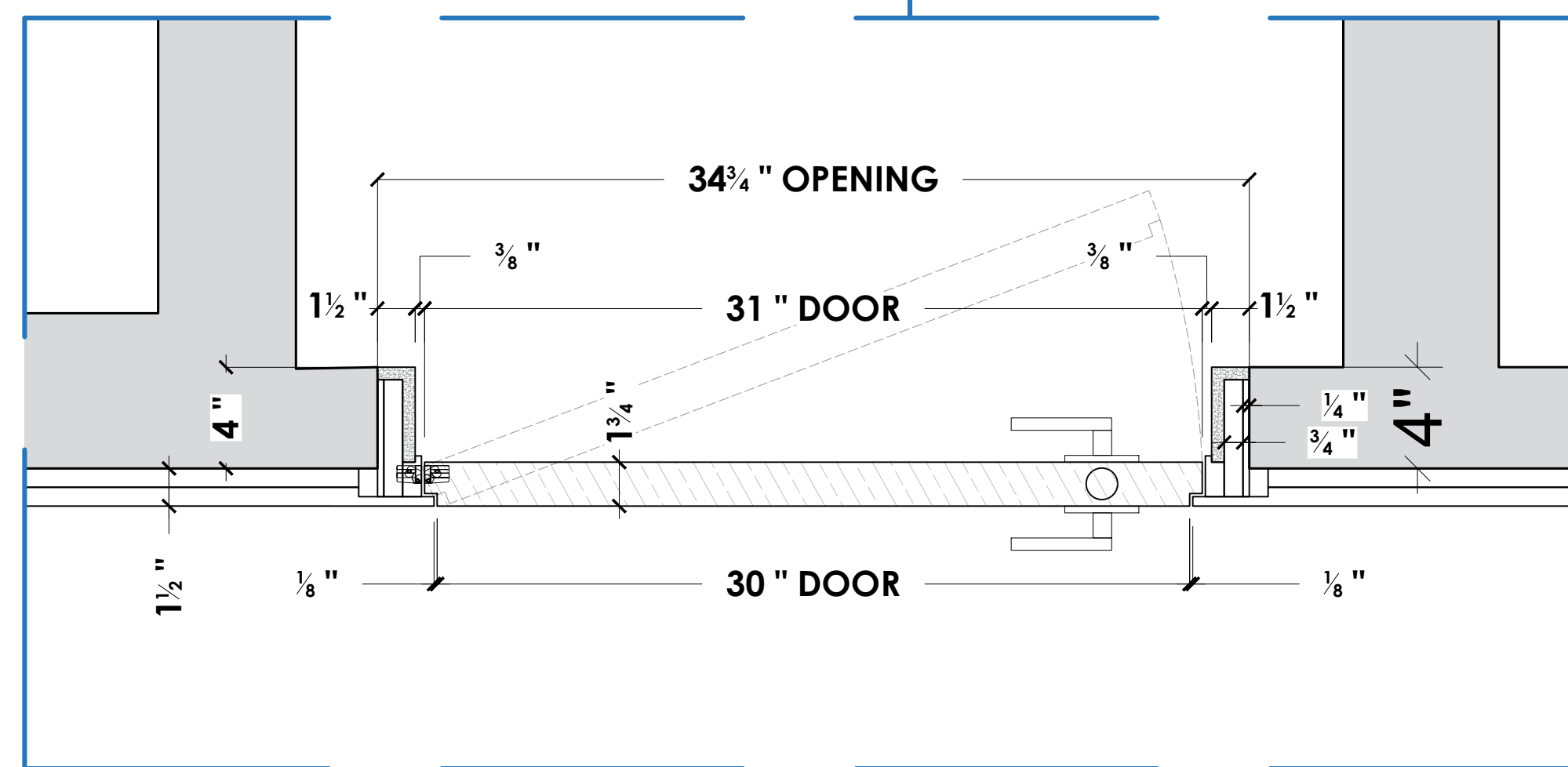
FLOOR SECTION 01  
ESC. 3/4" = 1'0"



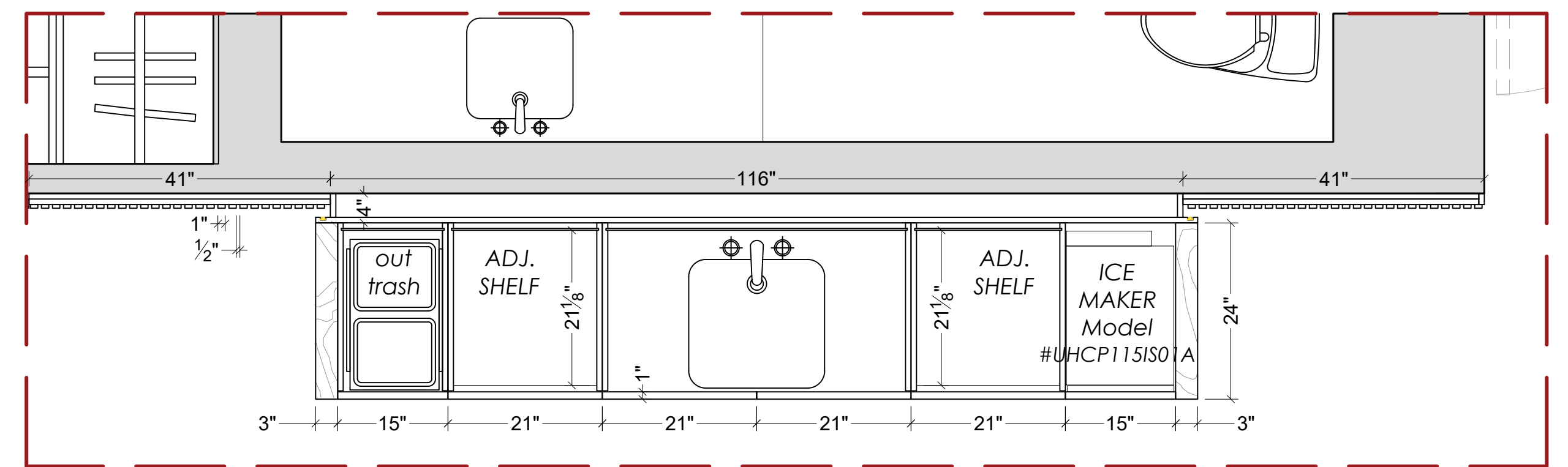
FLOOR SECTION 01  
ESC. 3/4" = 1'0"



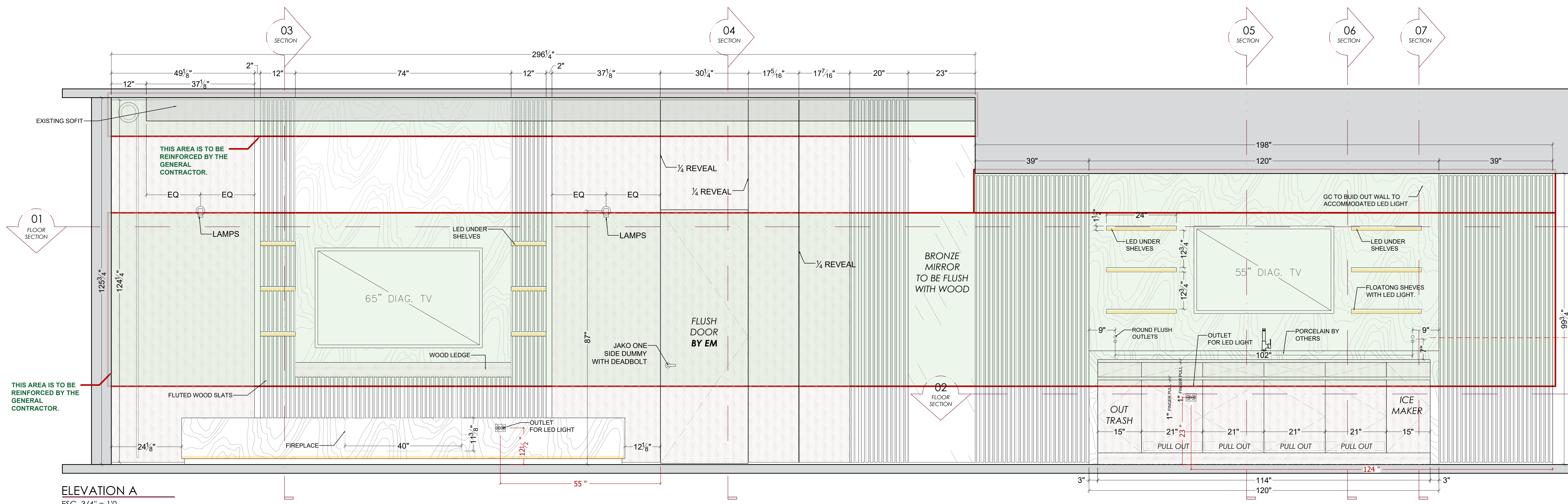
FLOOR SECTION 01  
ESC. 3/4" = 1'0"



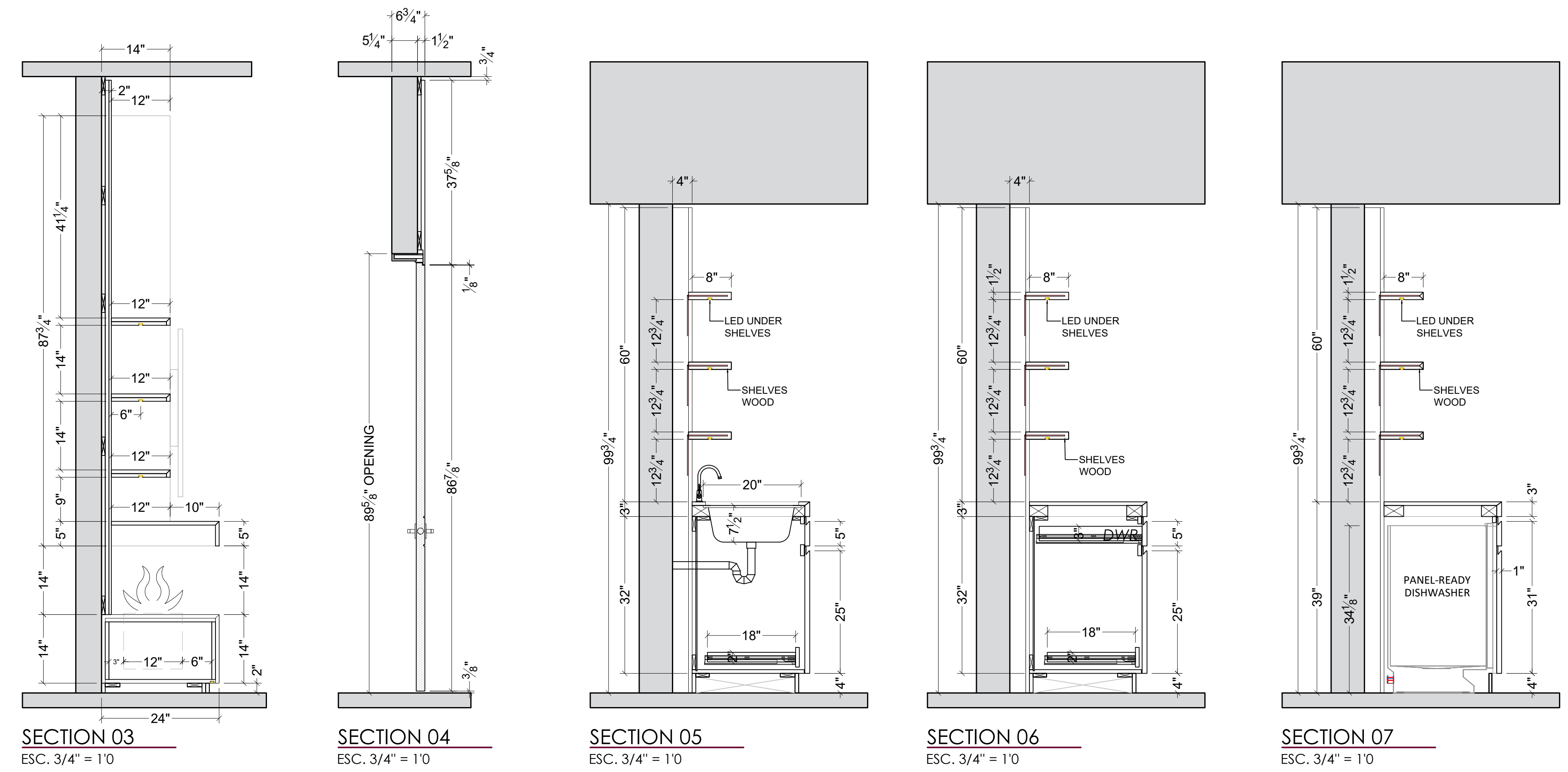
FLOOR SECTION 01  
ESC. 3/4" = 1'0"



FLOOR SECTION 02  
ESC. 3/4" = 1'0"



2 LAMPS ON THE PANEL, BLACK FINISH, CONFIRMATION REQUIRED FROM CUSTOMER



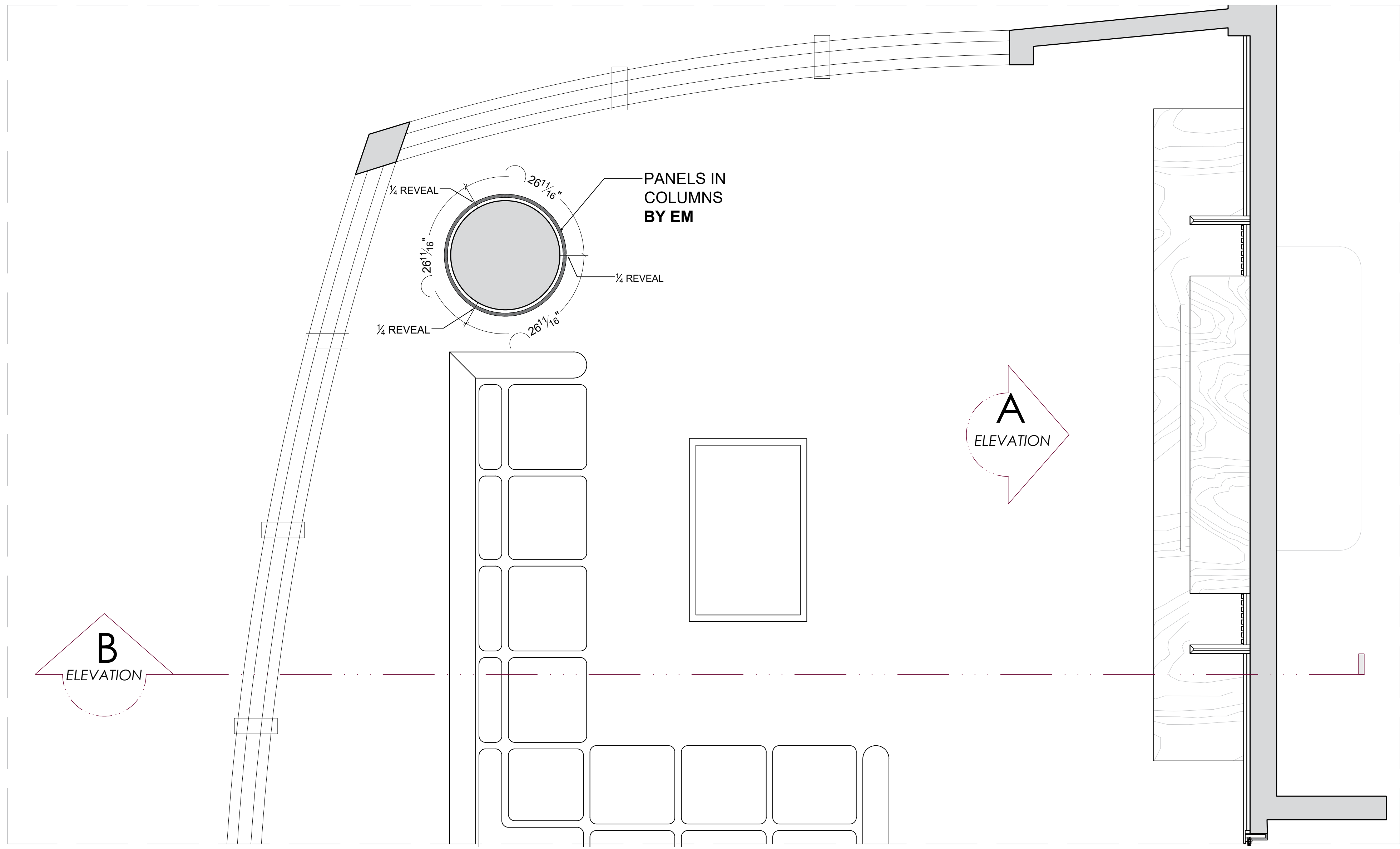
Inspiration based on renders prepared by the designer. The images shown do NOT exactly represent the final conditions nor replace the technical drawings; they are intended solely as a visual reference to better understand the design intent.

- SCOPE OF WORK:**
- SOLID PANELS.
  - SLATTED PANELING BEHIND SHELVES.
  - FLUSH DOOR.
  - PANELS WITH REVEALS.
- BAR**
- WOOD SLATS PANELING
  - BAR STORAGE/ COMBINATION OF DRAWERS AND DOORS WITH INTERIOR PULL OUTS SHELVES.
  - FLOATING SHELVES WITH LED LIGHT.

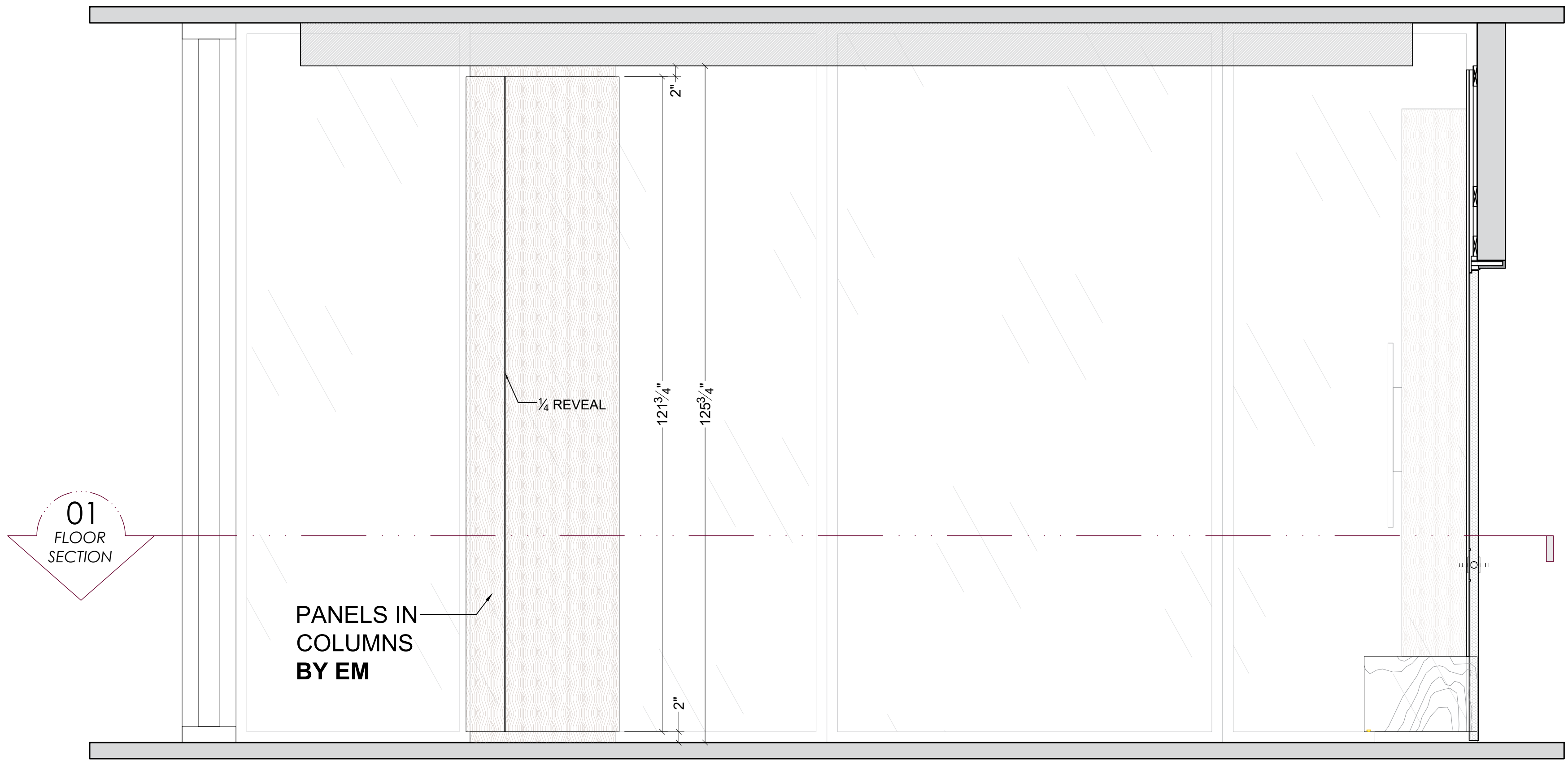
	WOOD LAMINATE: EGGER H3794 ST 12 CHOCOLATE CARINI WALNUT ON WALLS AND DOORS
	BAR FAUCET FINISH: COPPER
	BAR FAUCET FINISH: BLACK ONYX
	15" ICE MAKER
	2" STONE HICK NEOLITH DESK TOP BY OTHERS

	BLUM SOFT CLOSE HINGES & SLIDES		CLEAR MIRROR BY OTHERS
	JAKO ONE SIDE DUMMY WITH DEADBOLT		STONE BY OTHERS

CAD Drafter  
GRdesignLLC



**FLOOR SECTION 01**  
 ESC. 3/4" = 1'0"



**ELEVATION A**  
 ESC. 3/4" = 1'0"

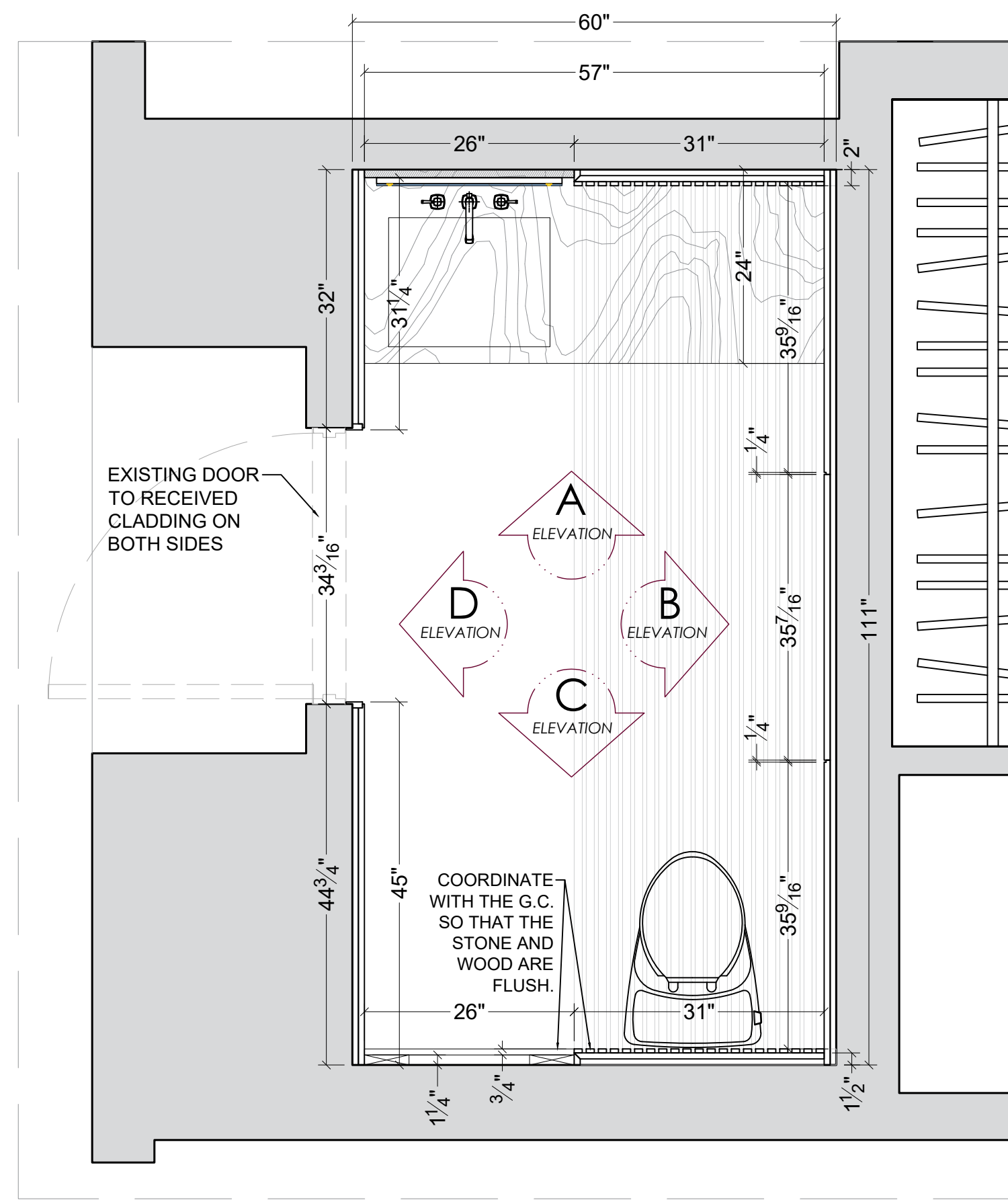
**SCOPE OF WORK:**  
 3 PANELS WITH REVEALS.

	WOOD LAMINATE: EGGER H3794 ST 12 CHOCOLATE CARINI WALNUT ON WALLS AND DOORS
--	--





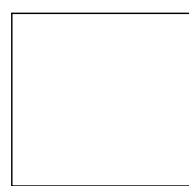
**CAD Drafter**  
 GRdesignLLC

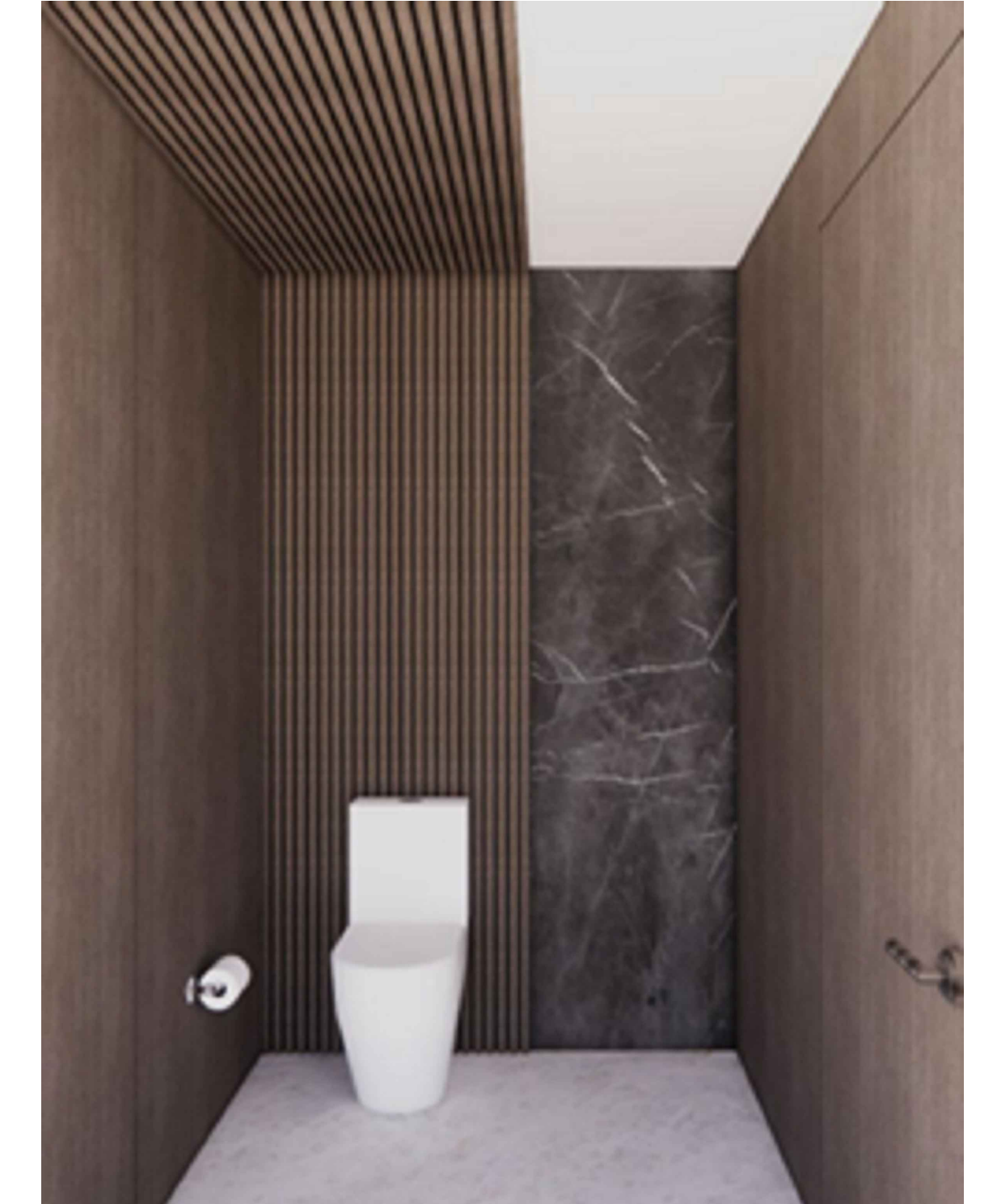
Inspiration based on renders prepared by the designer. The images shown do NOT exactly represent the final conditions nor replace the technical drawings; they are intended solely as a visual reference to better understand the design intent.



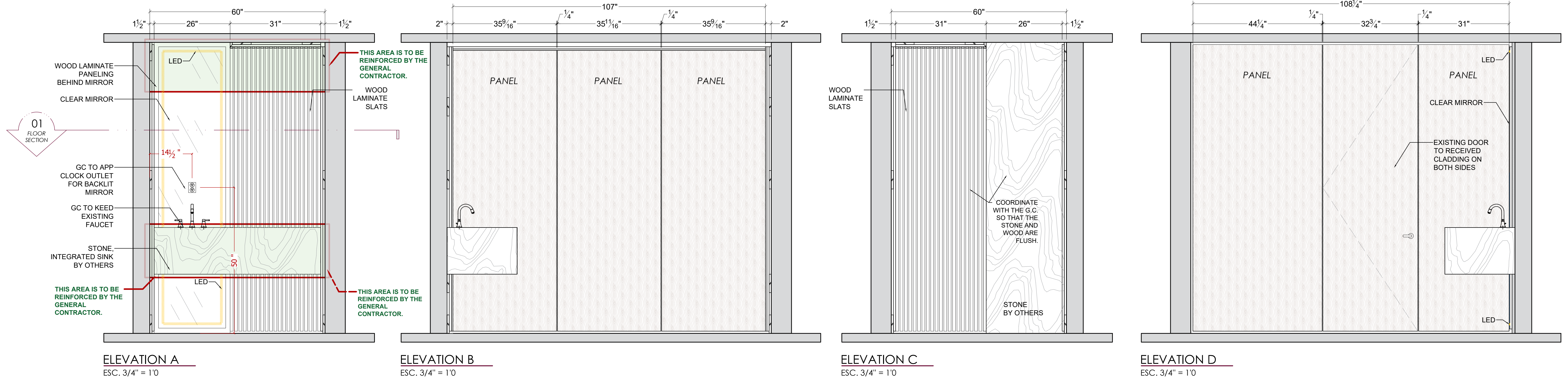
**SCOPE OF WORK:**

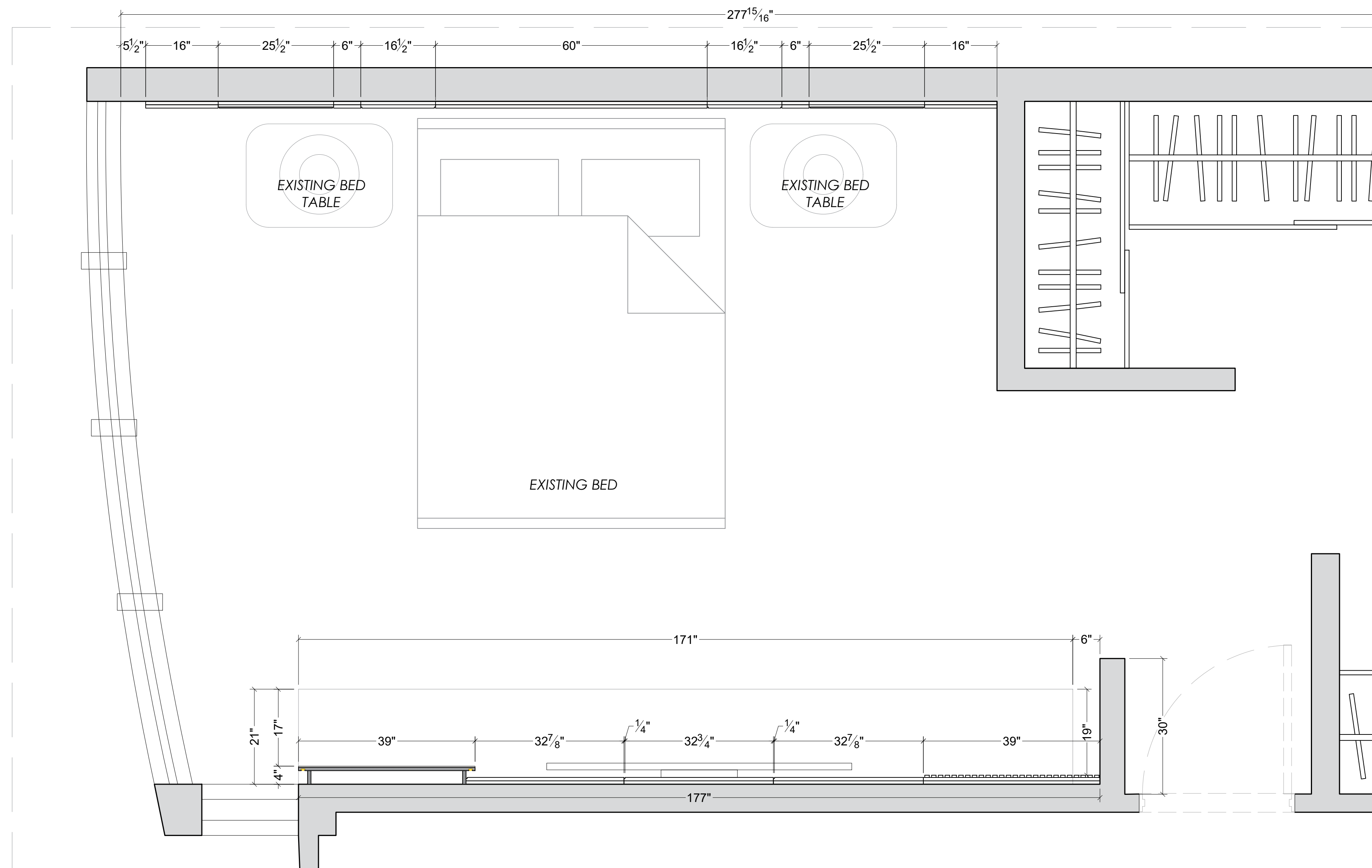
- FINISH:WOOD LAMINATE: EGGER H3794 ST 12 CHOCOLATE CARINI WALNUT.
- SLATTED PANELING ON VANITY, CEILING AND TOILET. CARPENTER TO CREATE ACCESS ON AC VENTS AND HIGH HATS.
- PANEL AROUND LED MIRROR
- FIELD WALLS TO RECEIVED EGGER LAMINATE WITH REVEALS
- EXISTING DOOR TO RECEIVED CLADDING ON BOTH SIDES
- BACKLIT CLEAR MIRROR

	WOOD LAMINATE: EGGER H3794 ST 12 CHOCOLATE CARINI WALNUT ON WALLS AND DOORS
	CLEAR MIRROR BY OTHERS
	STONE BY OTHERS

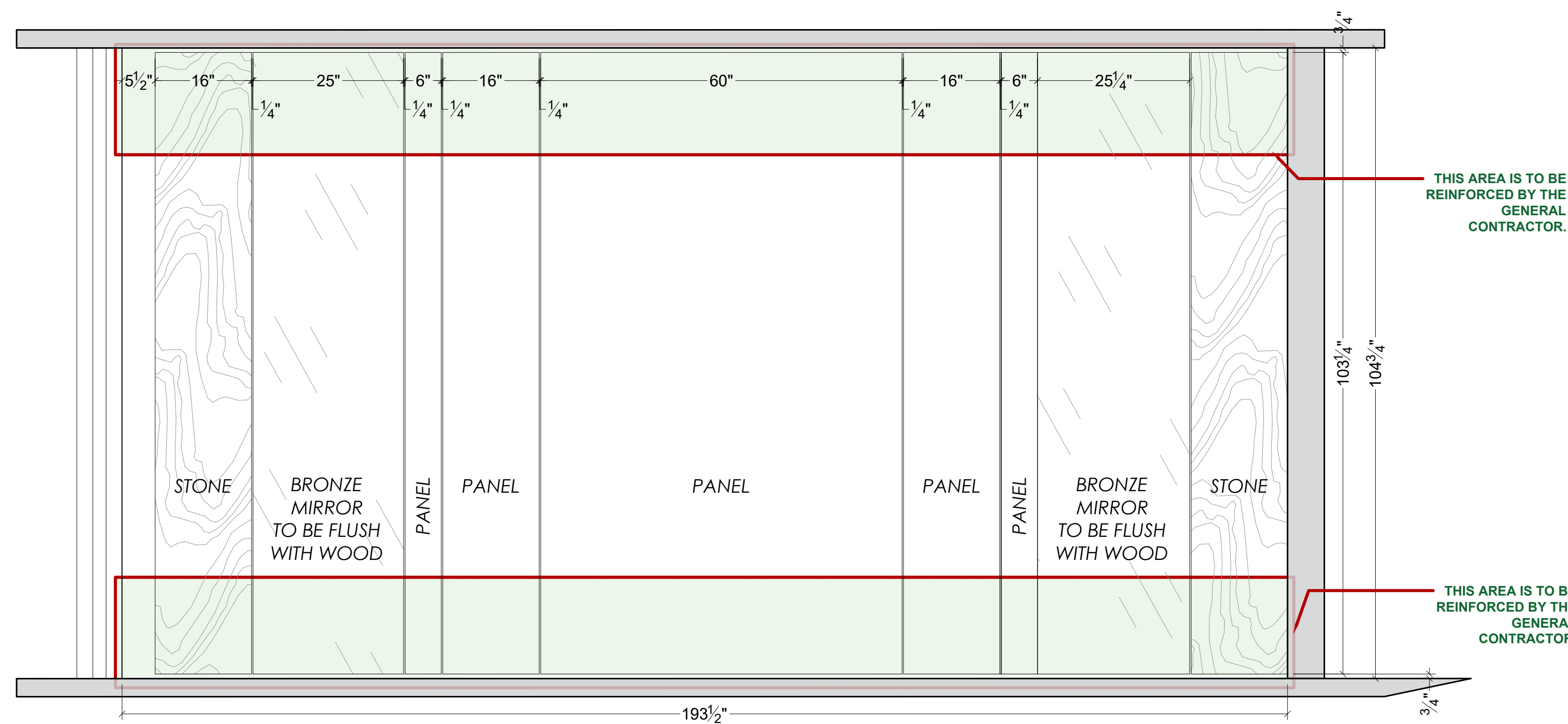


**FLOOR SECTION 01**  
ESC. 3/4" = 1'0"





FLOOR SECTION 01  
ESC. 3/4" = 1'0"



ELEVATION A  
ESC. 3/4" = 1'0"

**SCOPE OF WORK- MASTER BED:**

- WALL PANELING WITH REVEALS, FINISH: UTAUPIA ULTRA-MATTE
- FLOOR TO CEILING BRONZE MIRROR
- CARPENTER TO COORDINATE WITH GC AND STONE FABRICATOR

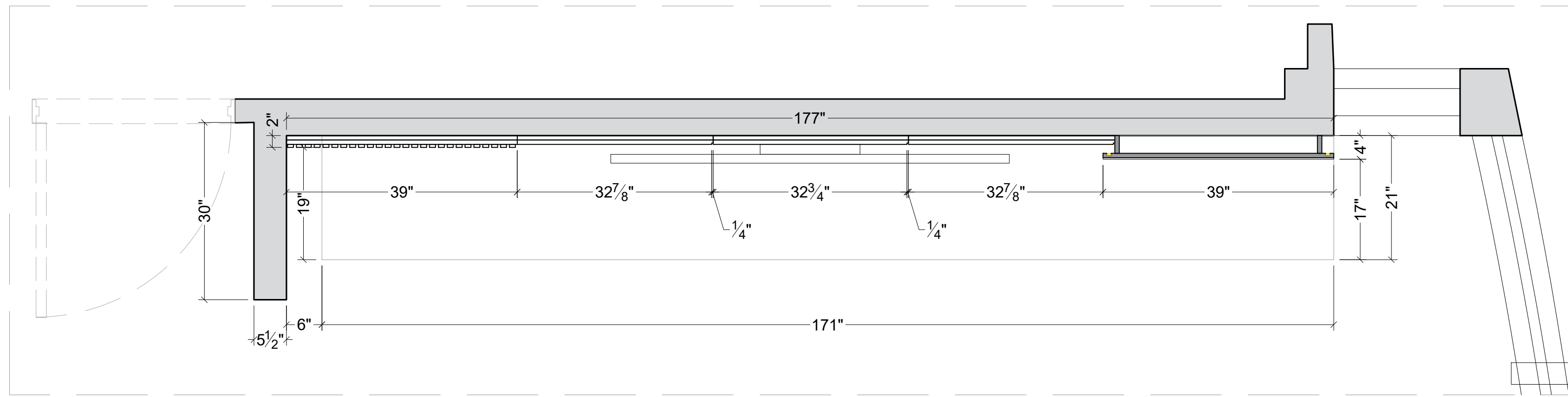
**SCOPE OF WORK - TV WALL.**

- WALL PANELING WITH REVEALS
- SLATTED WALL PANELING
- FLOATING DRAWERS UNDER TV UNIT
- ONE DRAWER TO HAVE ACCESSORY AND OUTLET FOR HAIR DRYER
- BACKLIT CLEAR MIRROR
- UTAUPIA ULTRA-MATTE

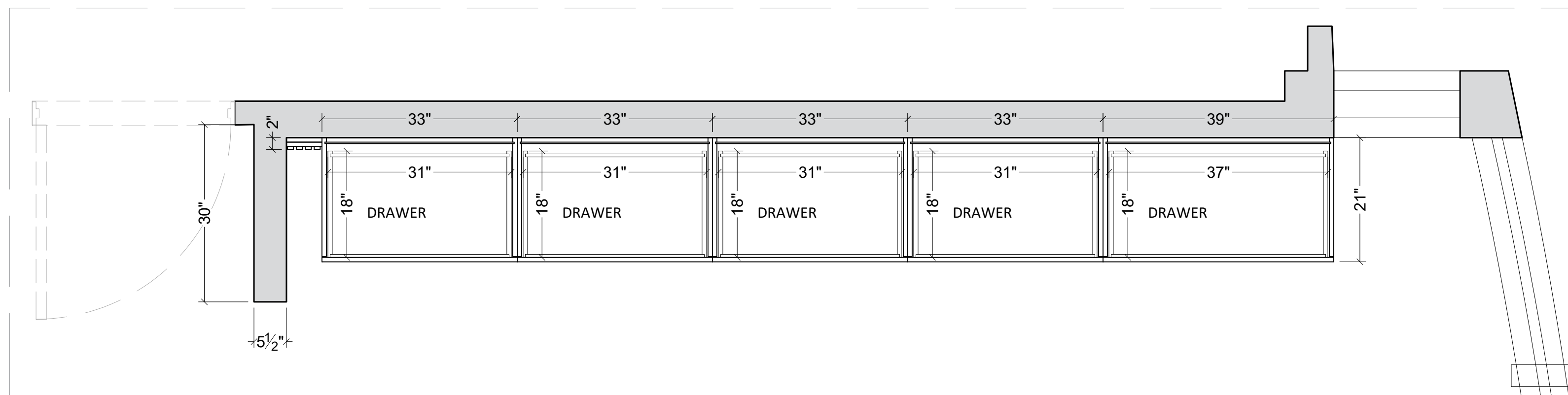
	CLEAR MIRROR BY OTHERS
	UTAUPIA ULTRA MATTE GY125



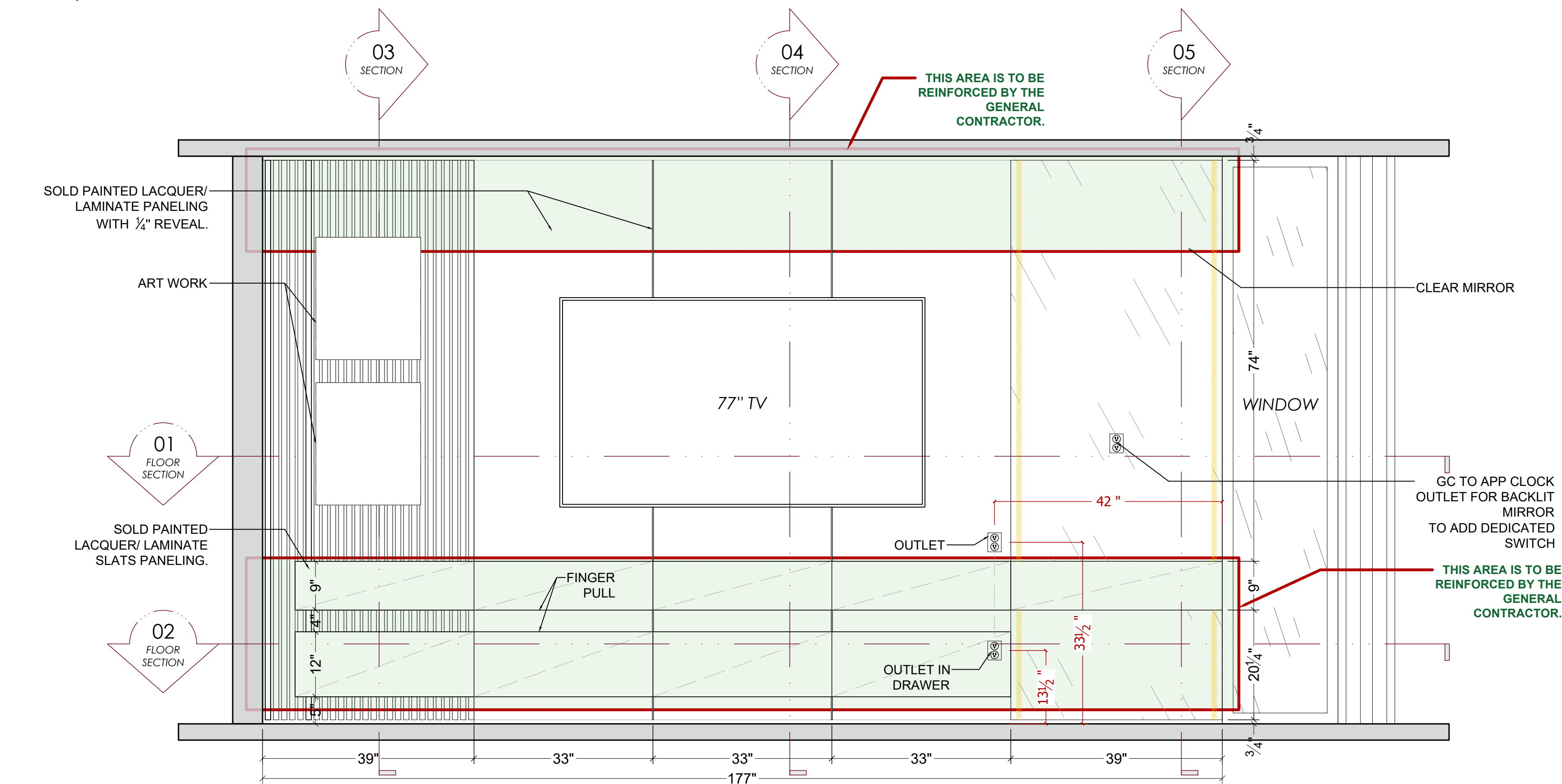
*Inspiration based on renders prepared by the designer. The images shown do NOT exactly represent the final conditions nor replace the technical drawings; they are intended solely as a visual reference to better understand the design intent.*



FLOOR SECTION 01  
ESC. 3/4" = 1'0"



FLOOR SECTION 02  
ESC. 3/4" = 1'0"



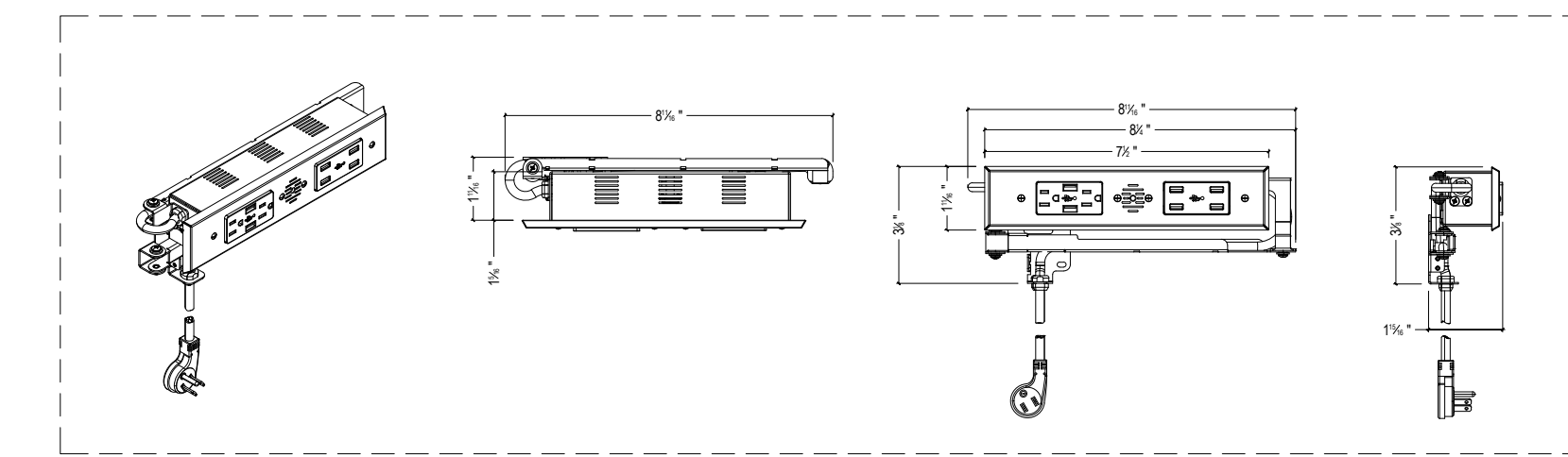
ELEVATION B  
ESC. 3/4" = 1'0"

**SCOPE OF WORK- MASTER BED:**

- WALL PANELING WITH REVEALS, FINISH: UTAUPIA ULTRA-MATTE
- FLOOR TO CEILING BRONZE MIRROR
- CARPENTER TO COORDINATE WITH GC AND STONE FABRICATOR

**SCOPE OF WORK - TV WALL.**

- WALL PANELING WITH REVEALS
- SLATTED WALL PANELING
- FLOATING DRAWERS UNDER TV UNIT
- ONE DRAWER TO HAVE ACCESSORY AND OUTLET FOR HAIR DRYER
- BACKLIT CLEAR MIRROR
- UTAUPIA ULTRA-MATTE

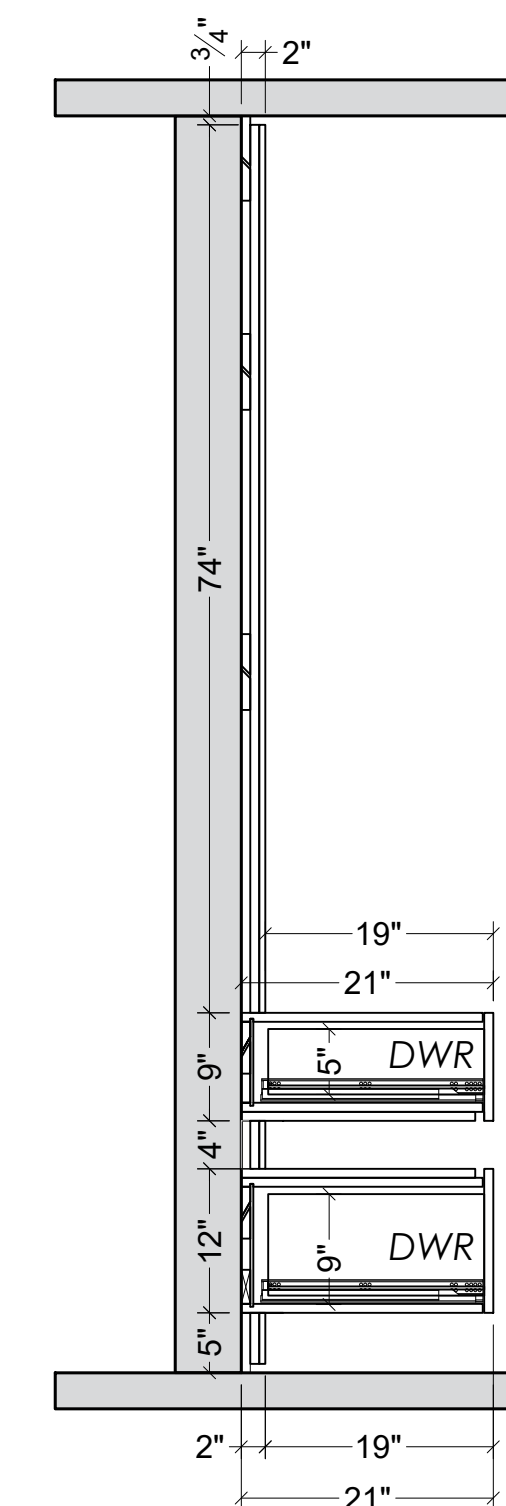


DOCKING DRAWER BLADE DUO

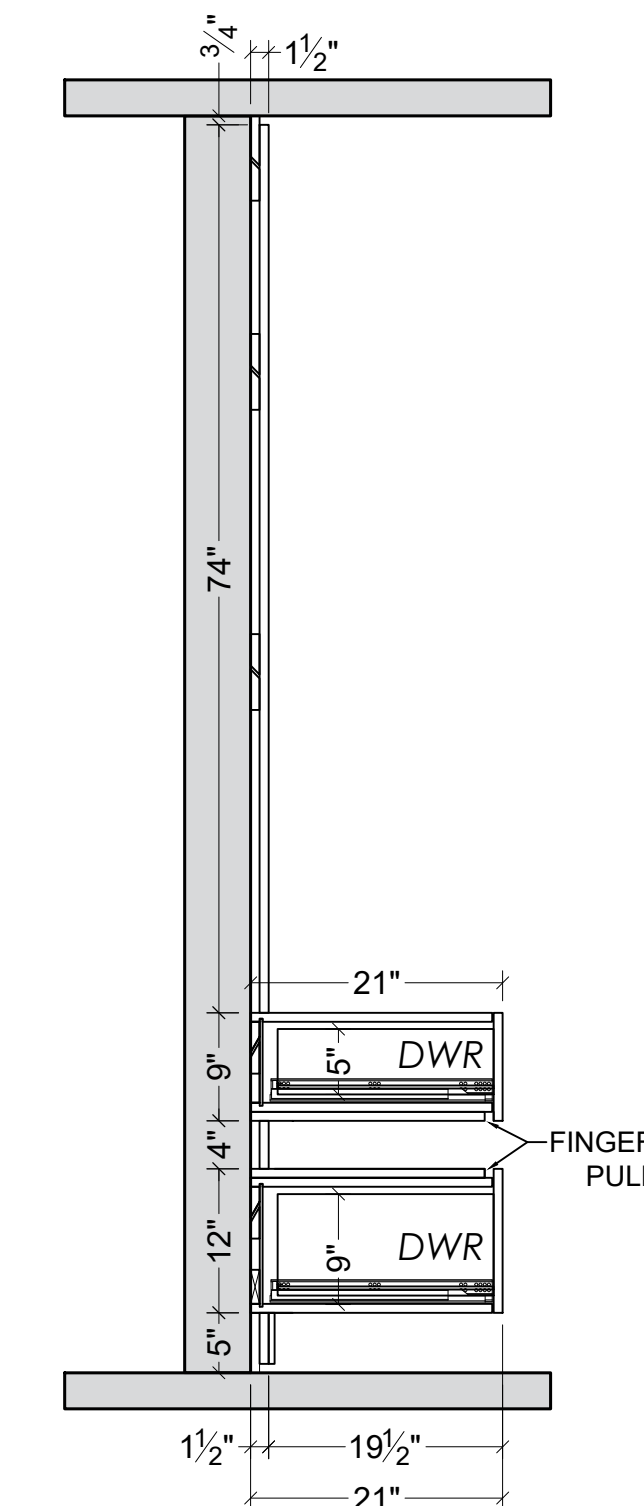
*Inspiration based on renders prepared by the designer. The images shown do NOT exactly represent the final conditions nor replace the technical drawings; they are intended solely as a visual reference to better understand the design intent.*



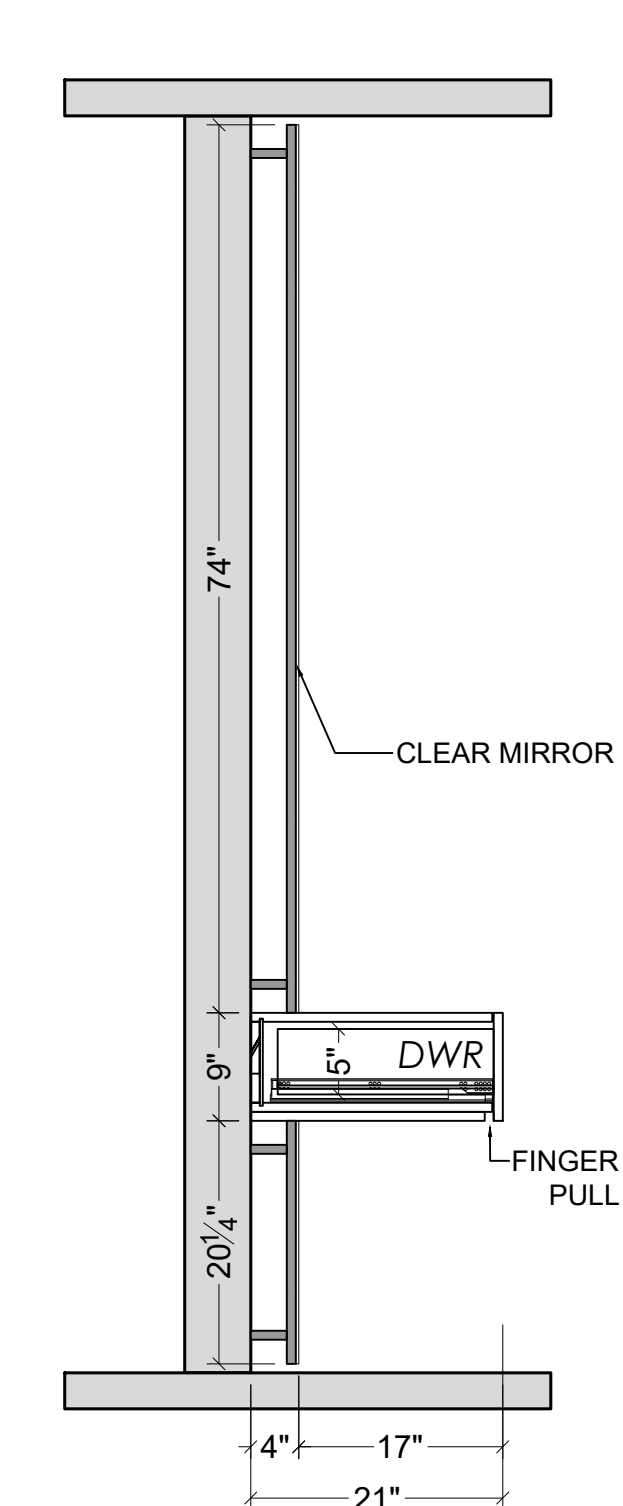
	DOCKING DRAWER BLADE DUO OUTLET
	CLEAR MIRROR BY OTHERS
	UTAUPIA ULTRA MATTE GY125
	BLUM SOFT CLOSE HINGES & SLIDES



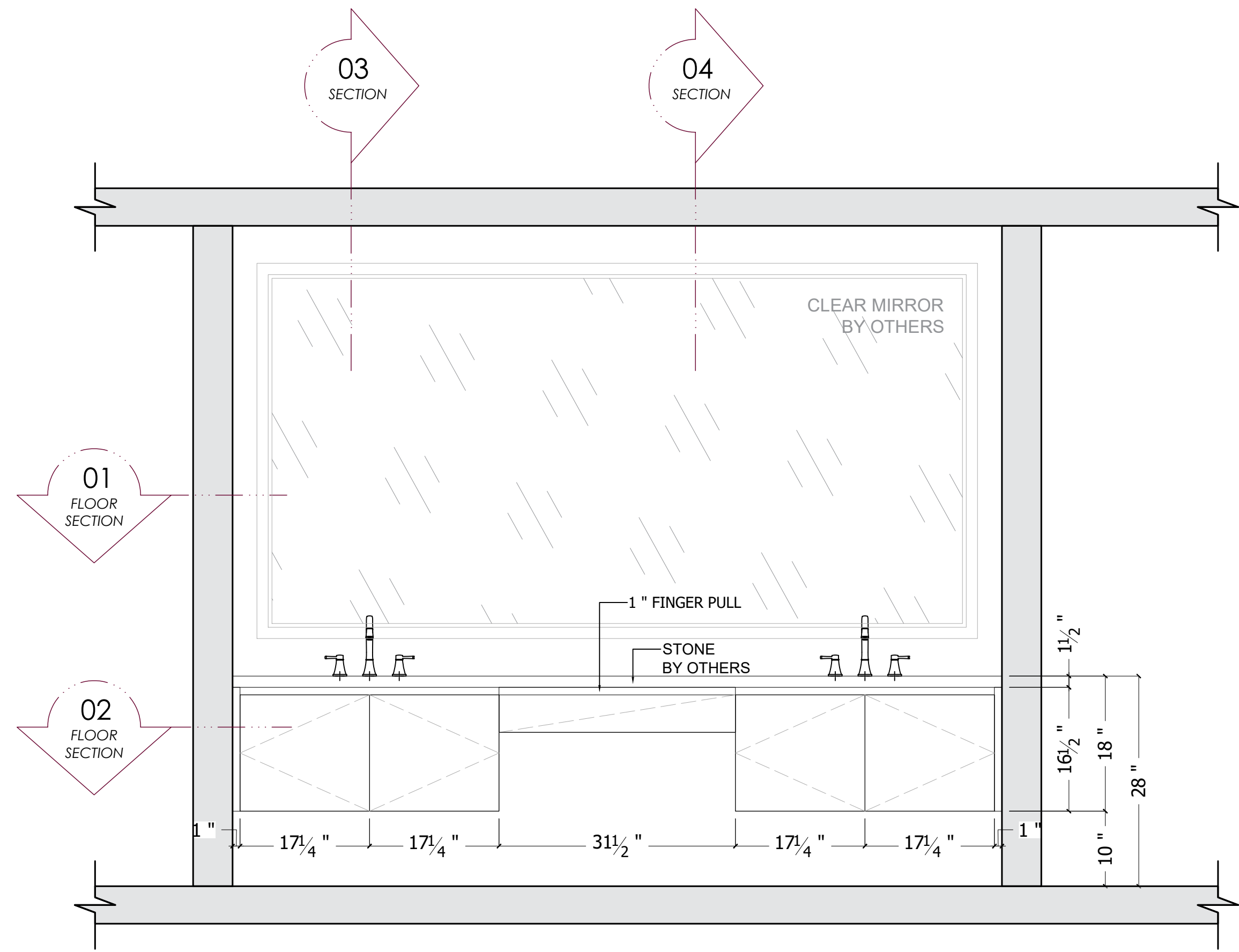
MSECTION 03  
ESC. 3/4" = 1'0"



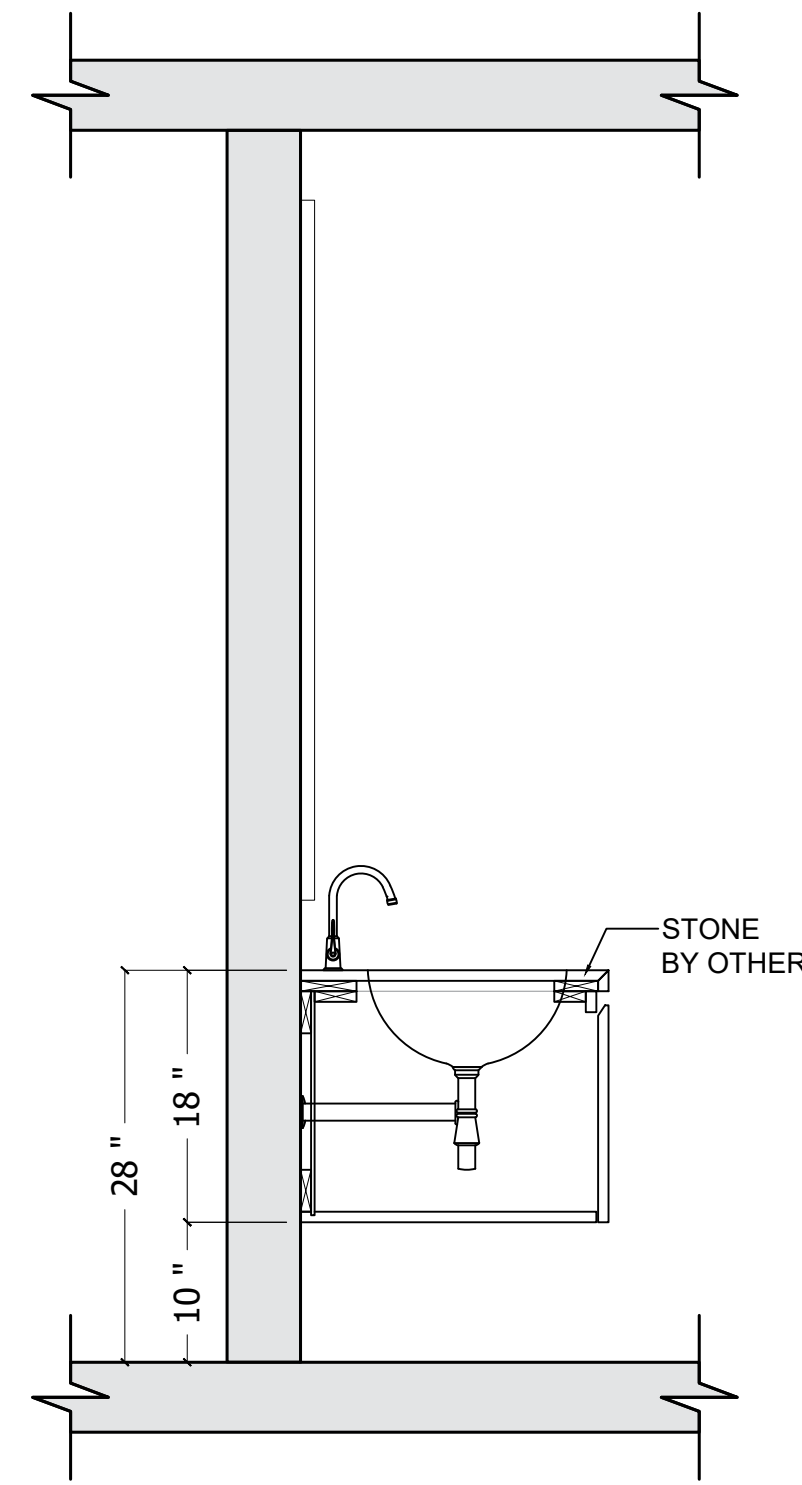
MSECTION 04  
ESC. 3/4" = 1'0"



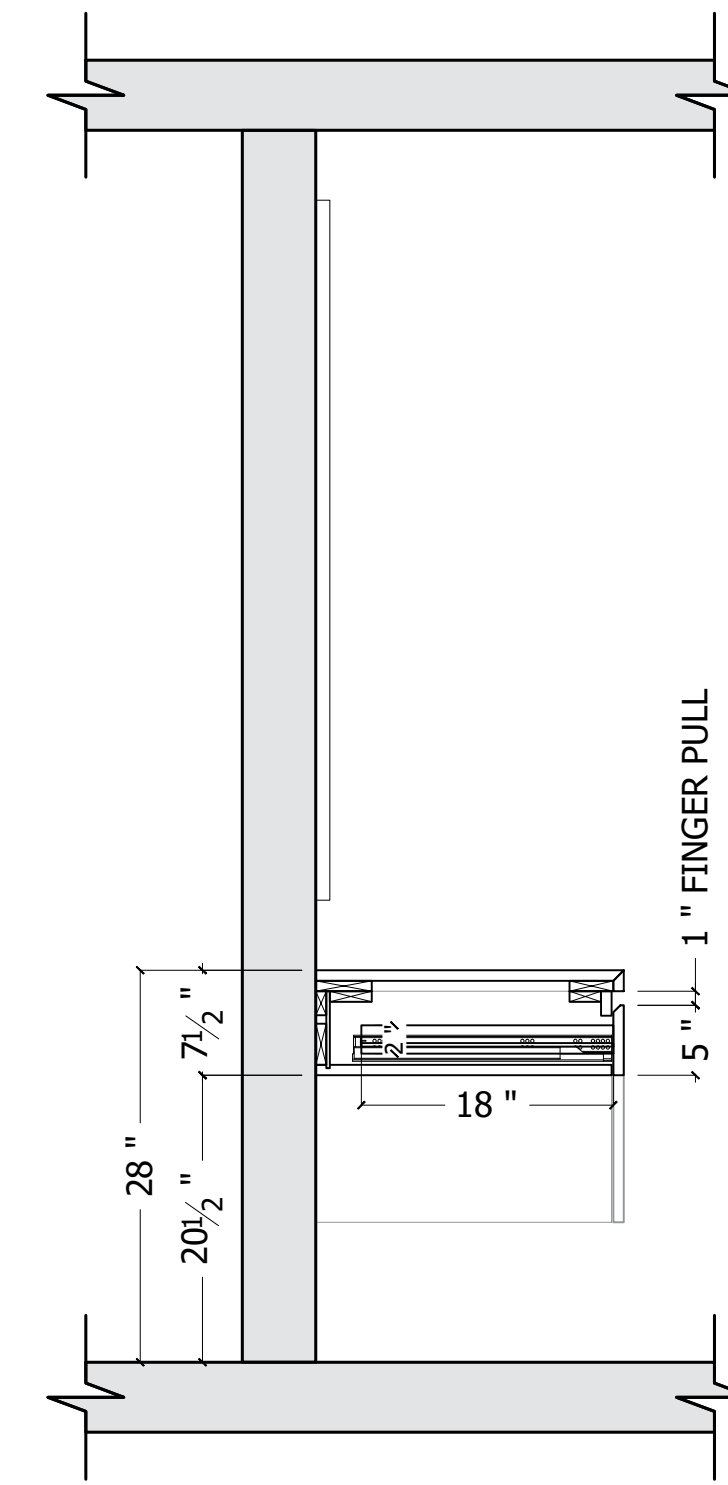
MSECTION 05  
ESC. 3/4" = 1'0"



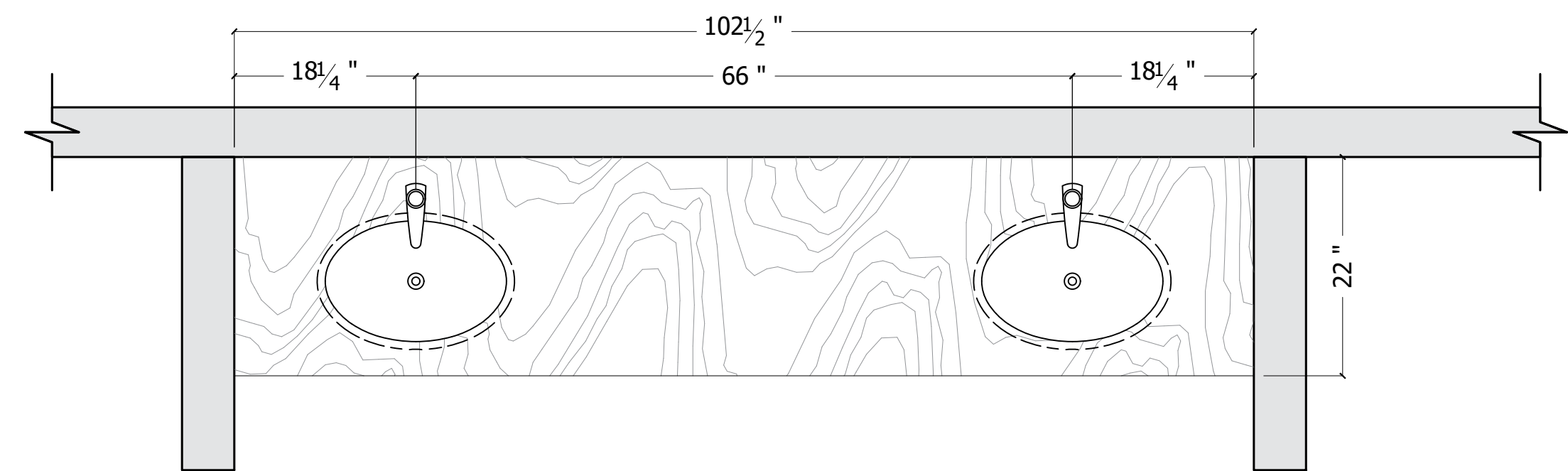
ELEVATION  
ESC 7/8" = 1'0"



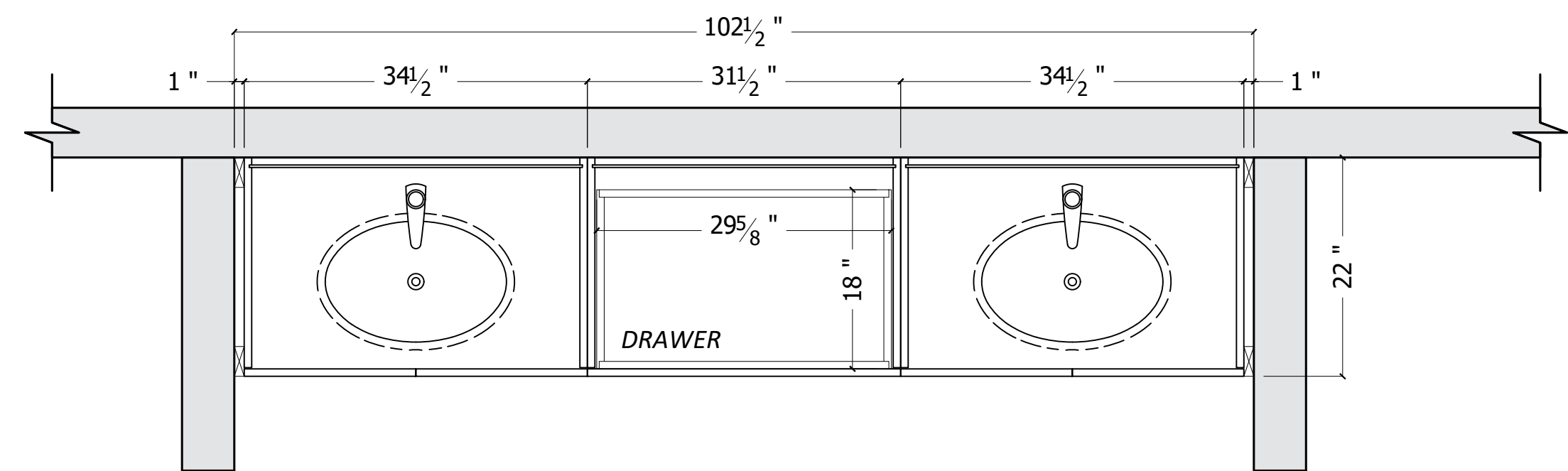
03 SECTION  
ESC 7/8" = 1'0"



04 SECTION  
ESC 7/8" = 1'0"



01 FLOOR SECTION  
ESC 7/8" = 1'0"



02 FLOOR SECTION  
ESC 7/8" = 1'0"



The images shown do NOT exactly represent the final conditions nor replace the technical drawings; they are intended solely as a visual reference to better understand the design intent.