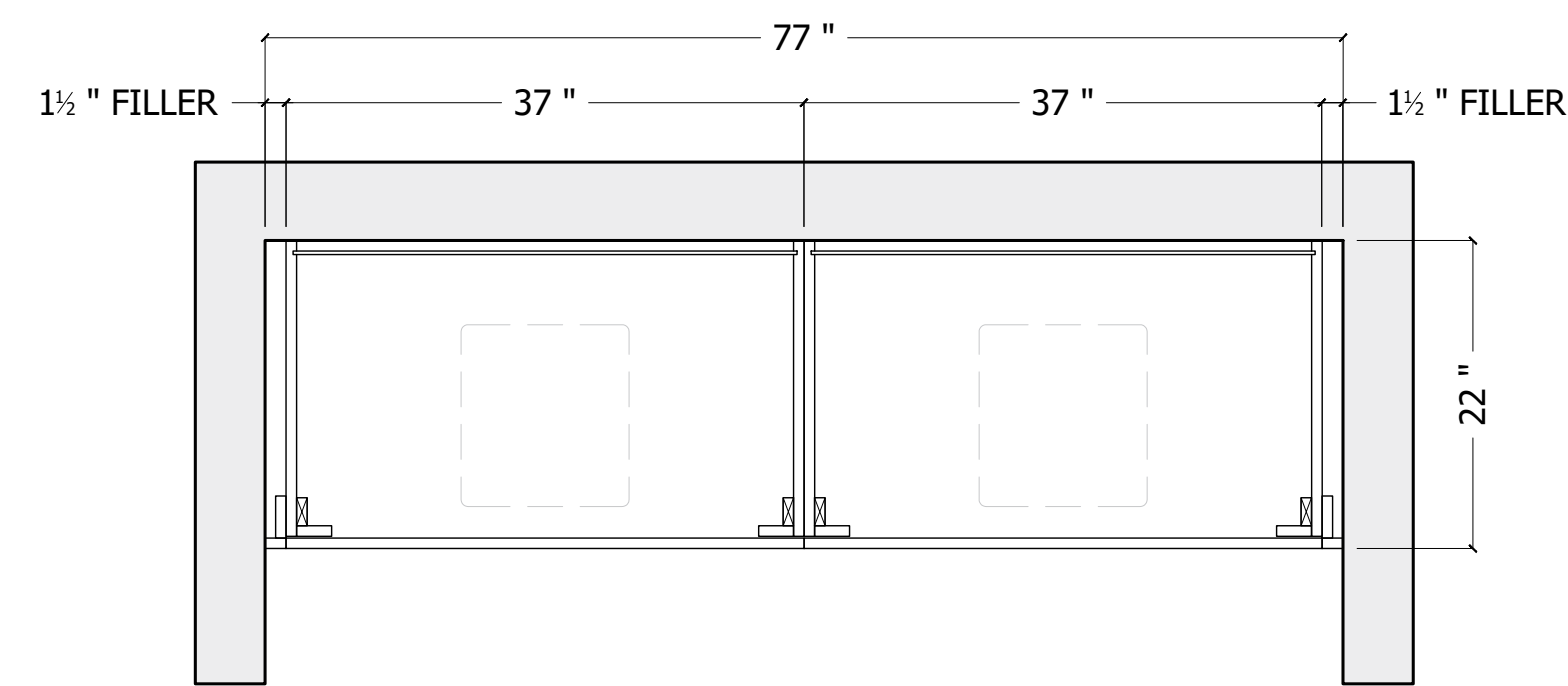
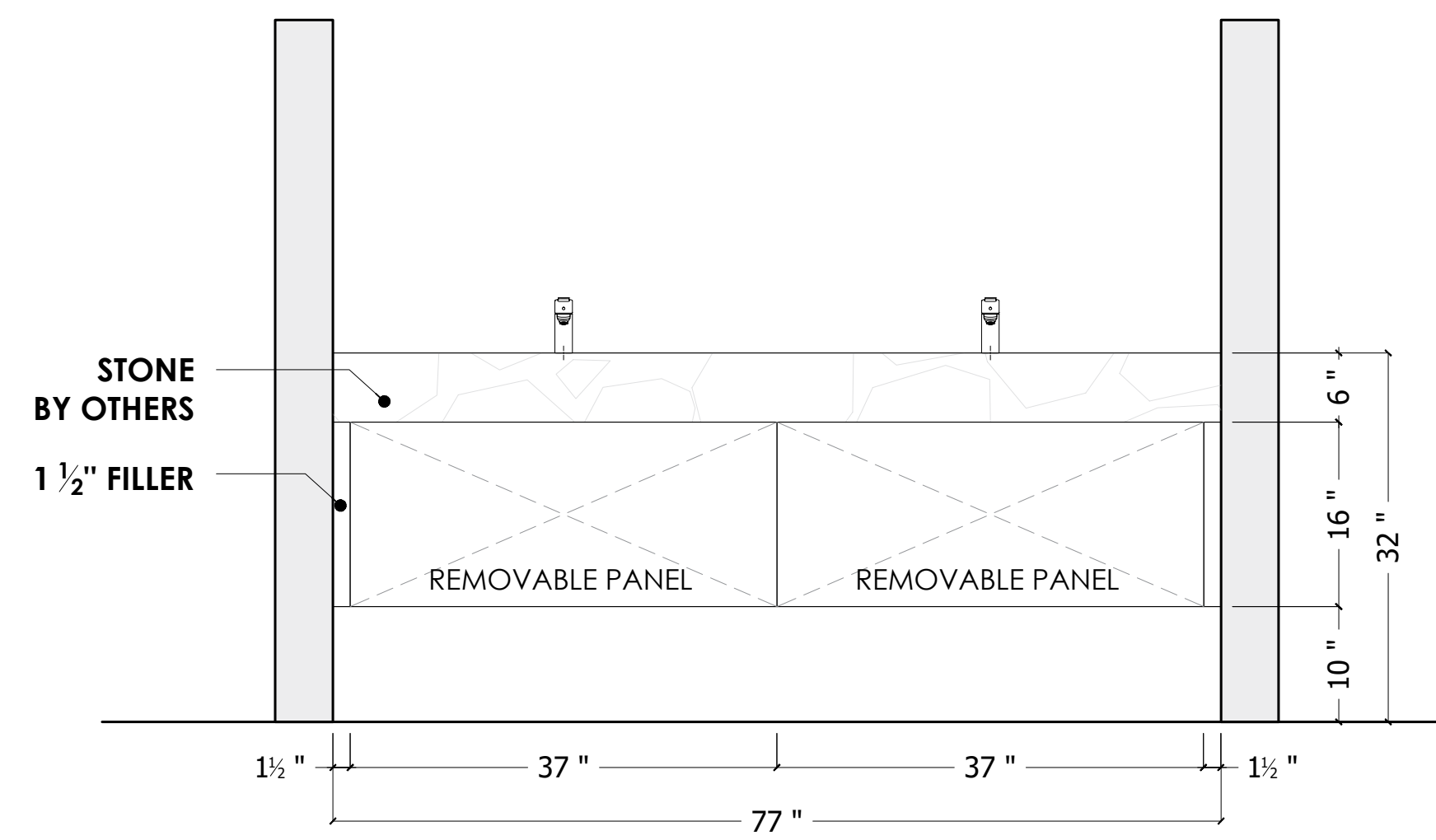


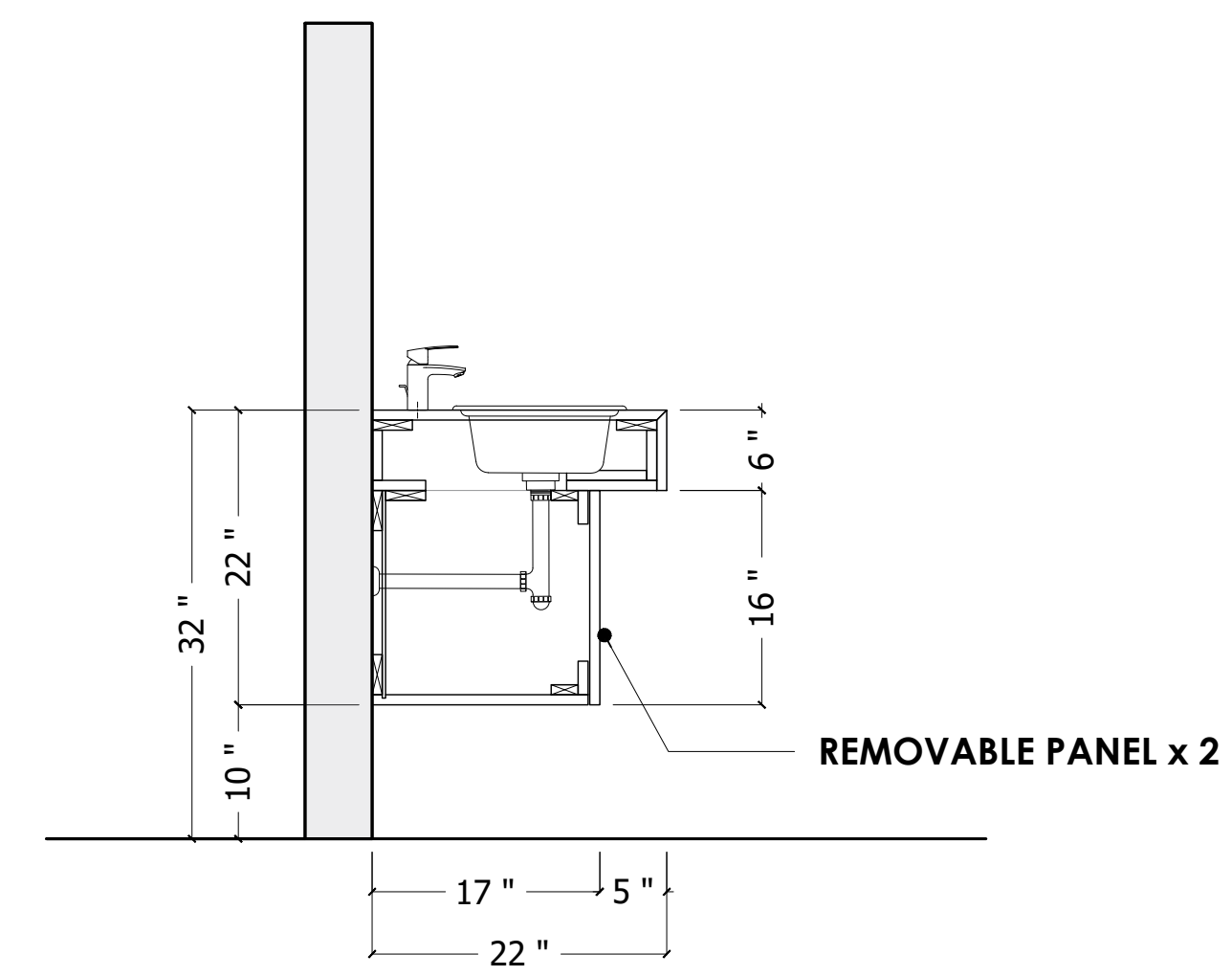
UPPER SECTION



BOTTOM SECTION



FRONT ELEVATION



SECTION

CAD Drafter
GRdesignLLC

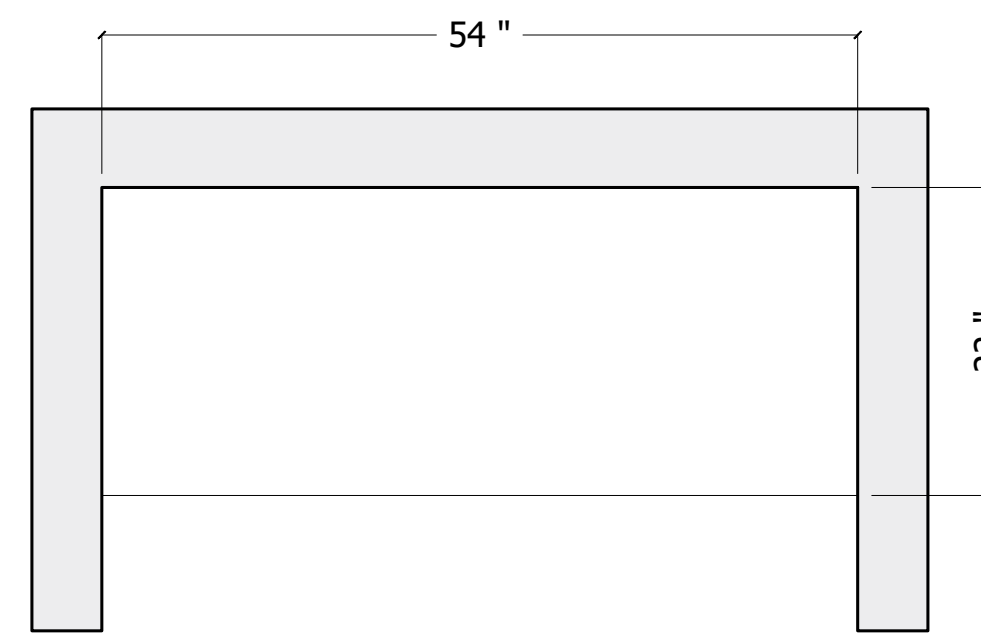
PROJECT:
XXXXXXXXXXXXXXXXXXXX

Finish: TBD
Interior: TBD
Exterior: TBD

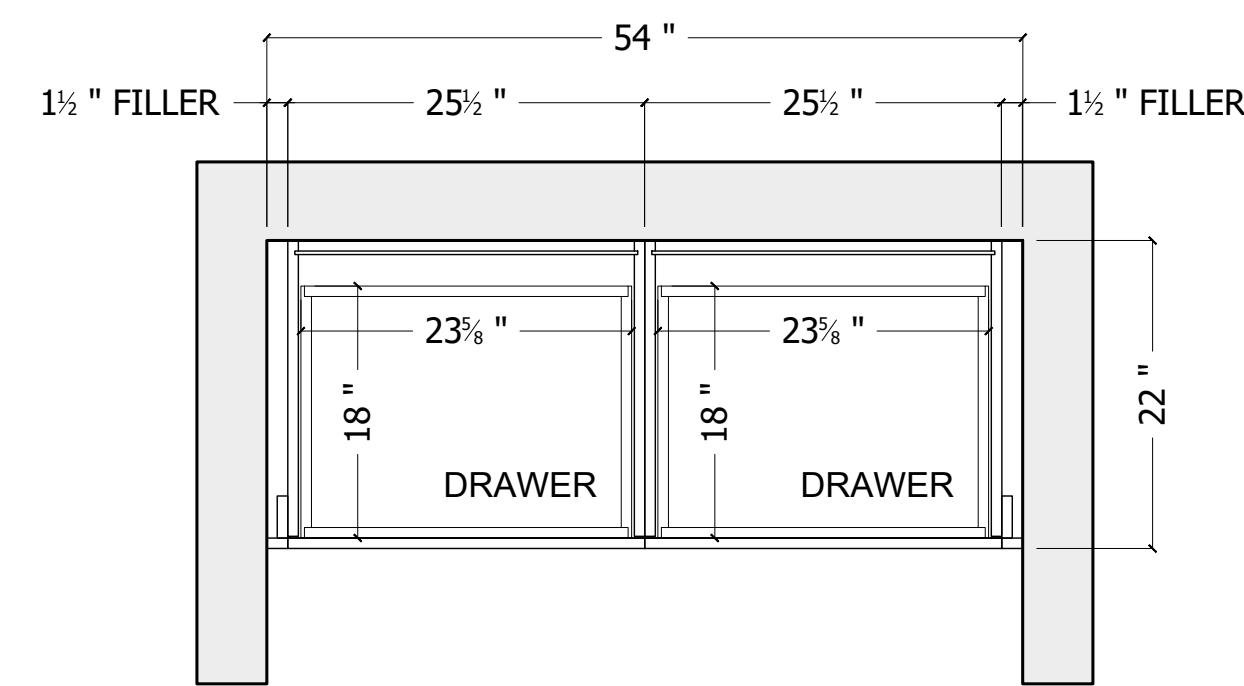
Hardware:
to be selected

WOMEN'S RESTROOM

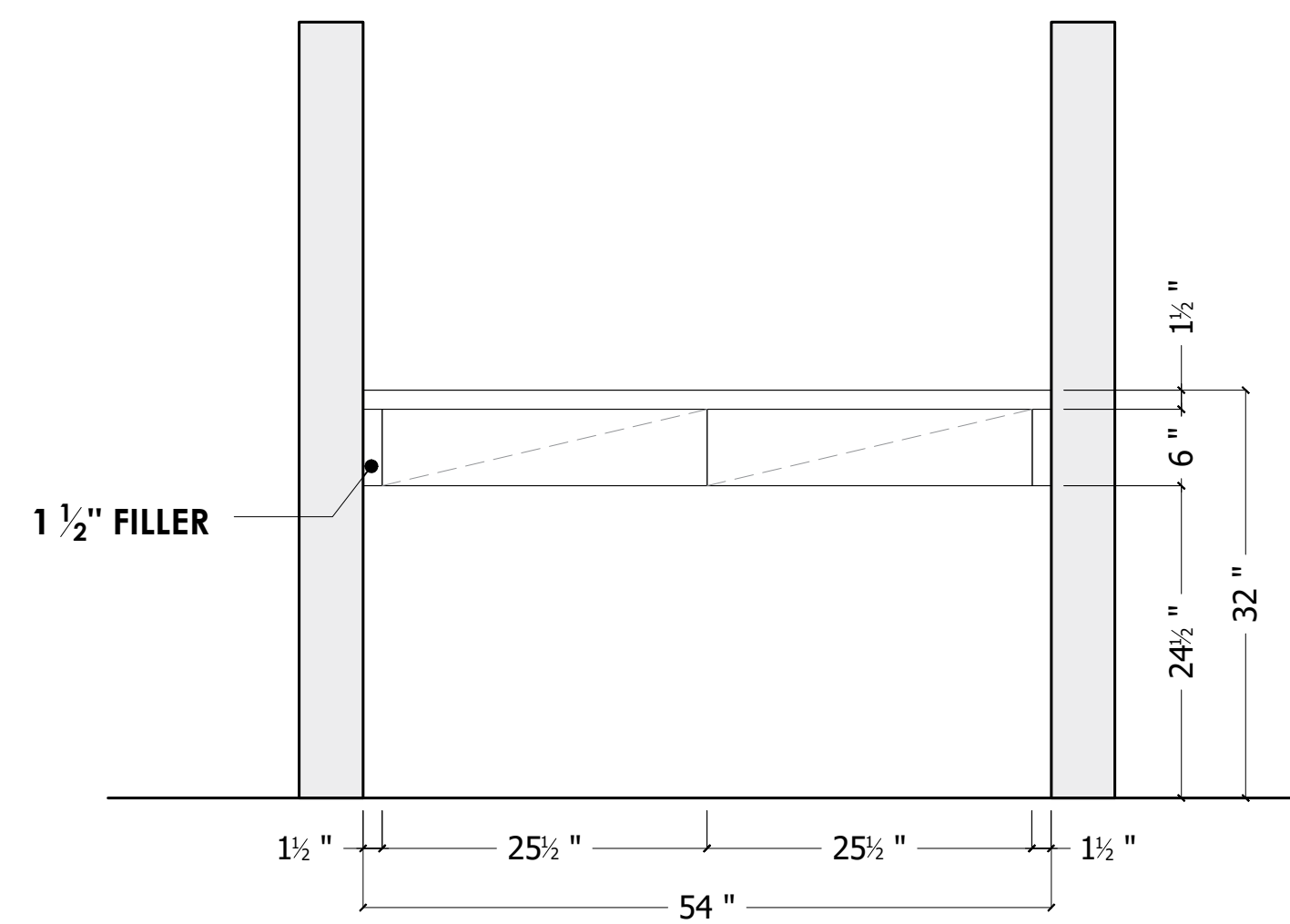
ESC. 7/8" = 1'0



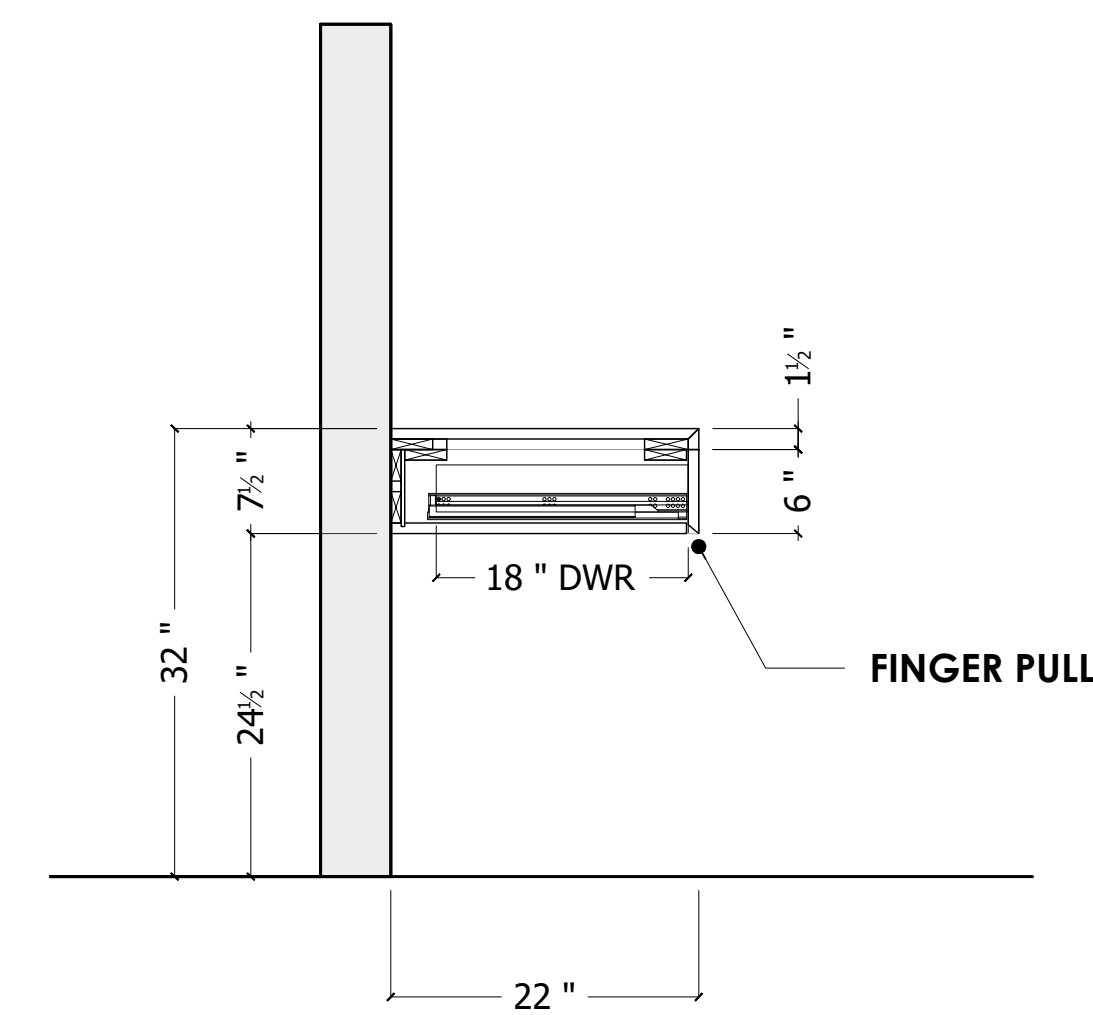
UPPER SECTION



BOTTOM SECTION



FRONT ELEVATION



SECTION

CAD Drafter
GRdesignLLC

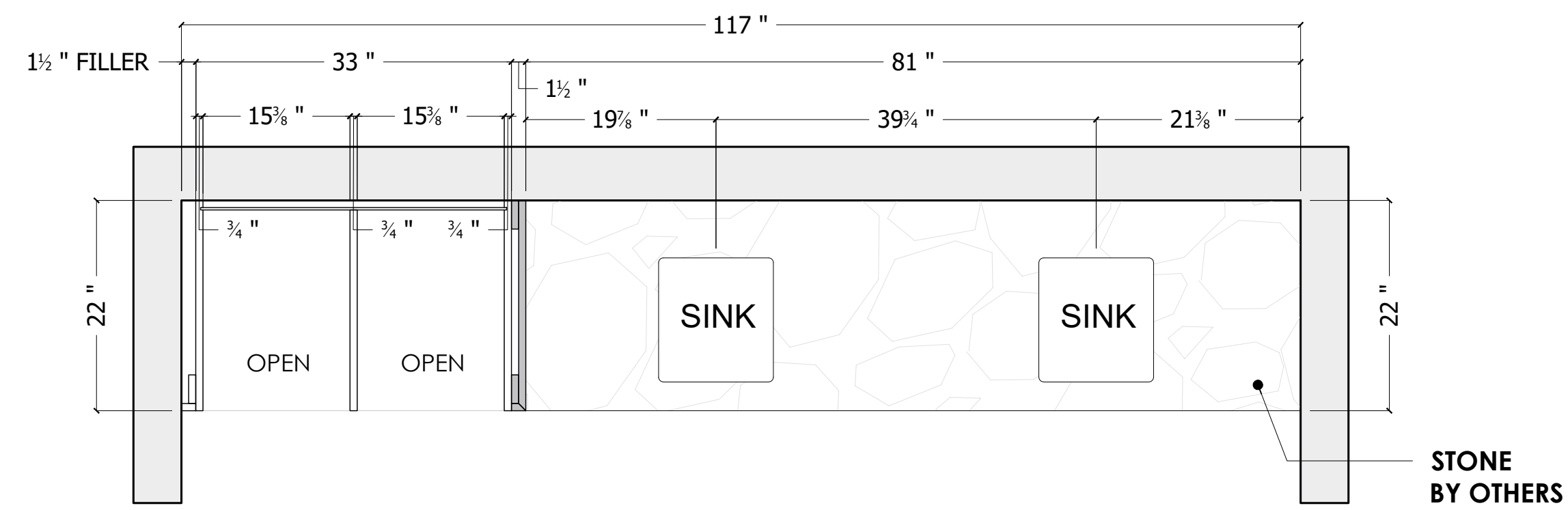
PROJECT:
XXXXXXXXXXXXXXXXXXXX

Finish: TBD
Interior: TBD
Exterior: TBD

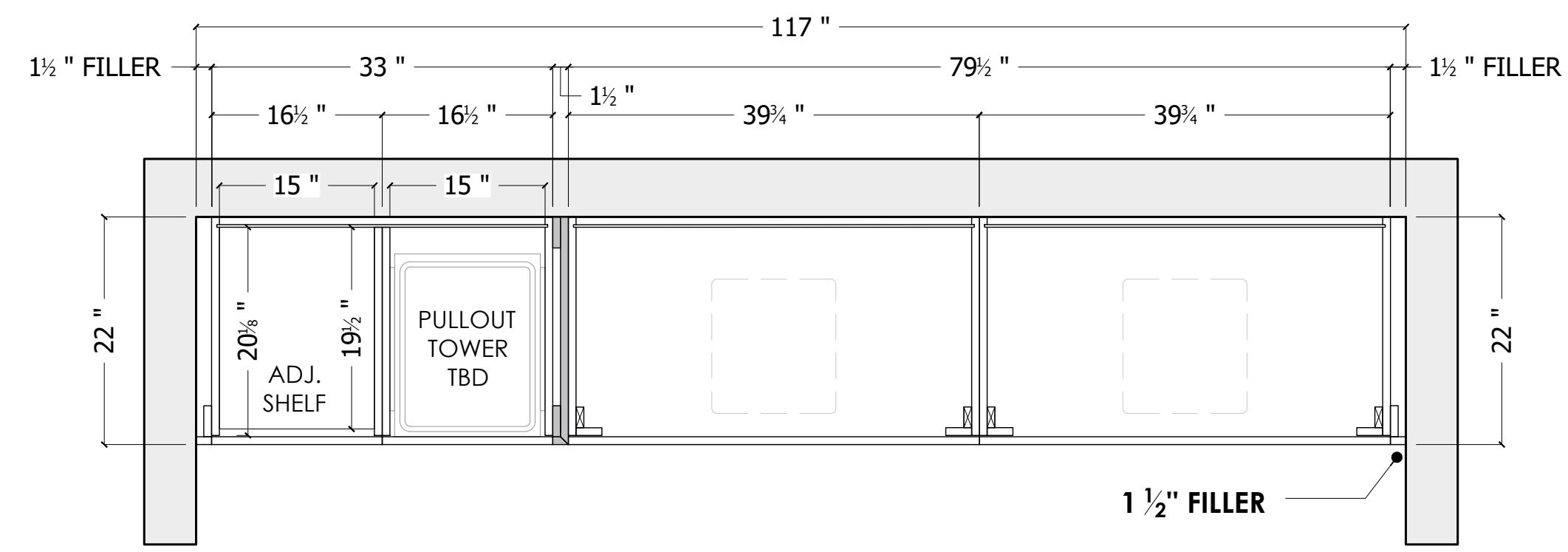
Hardware:
to be selected

WOMEN'S BATH POWDER

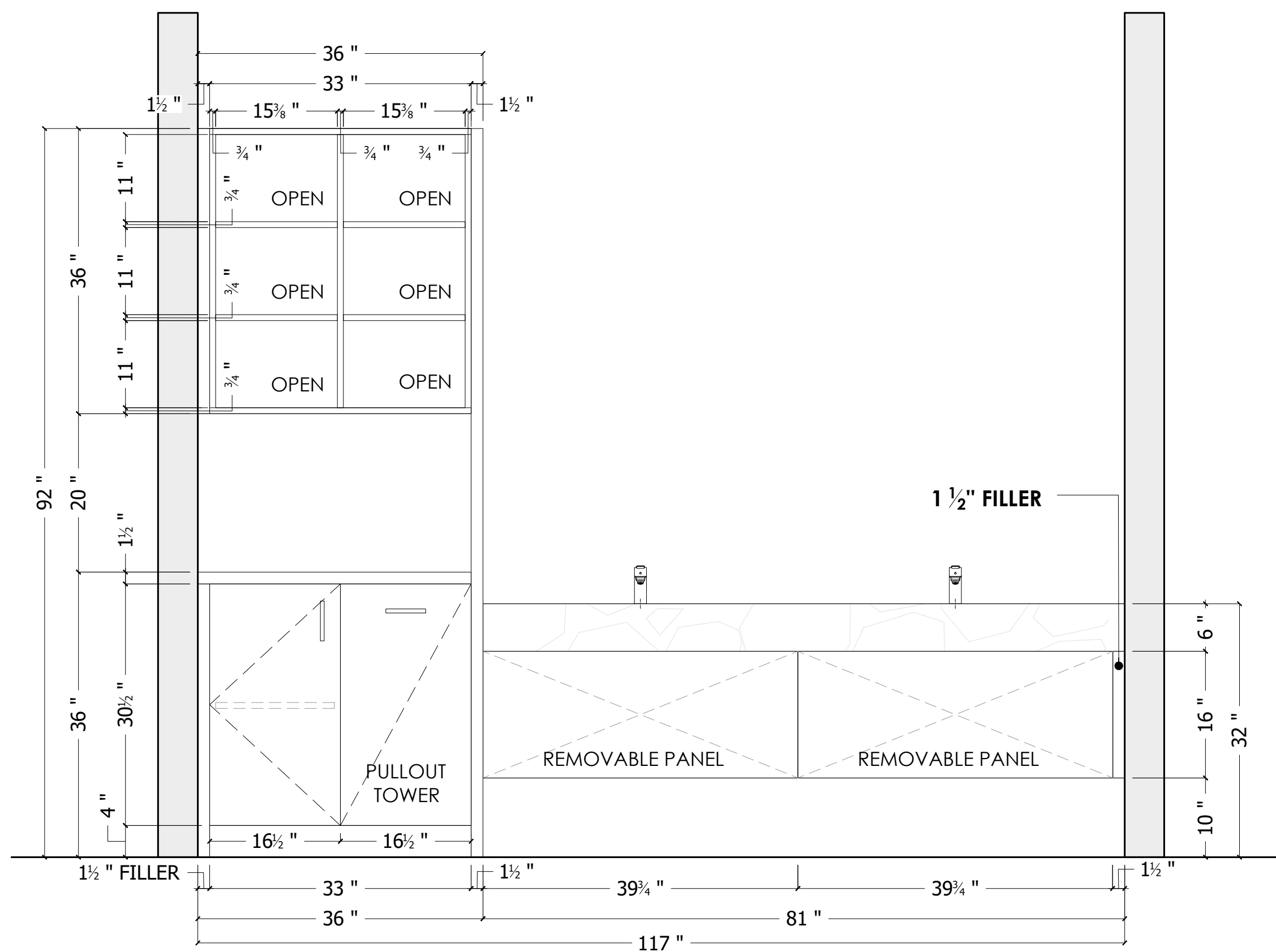
ESC. 7/8" = 1'0



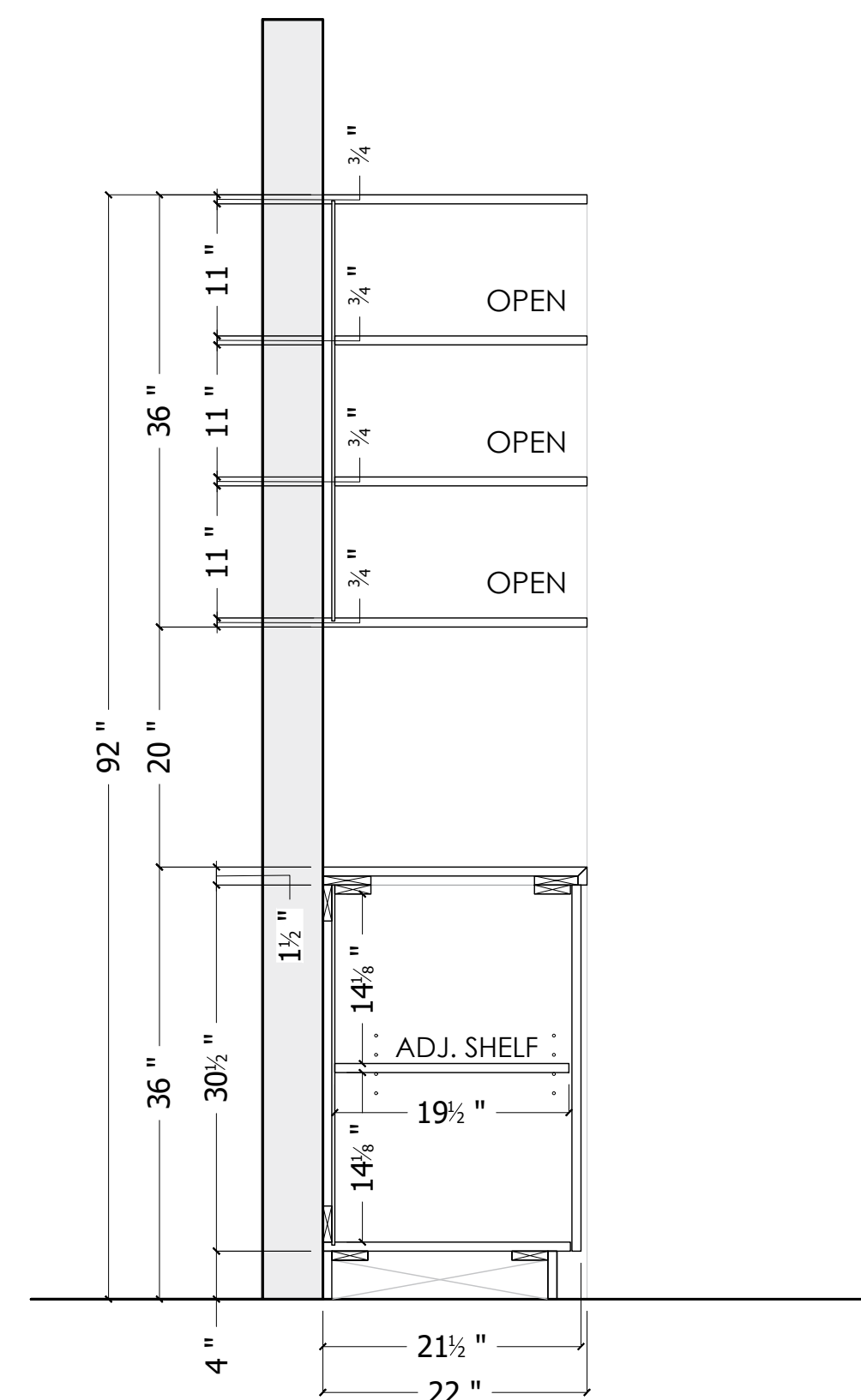
UPPER SECTION



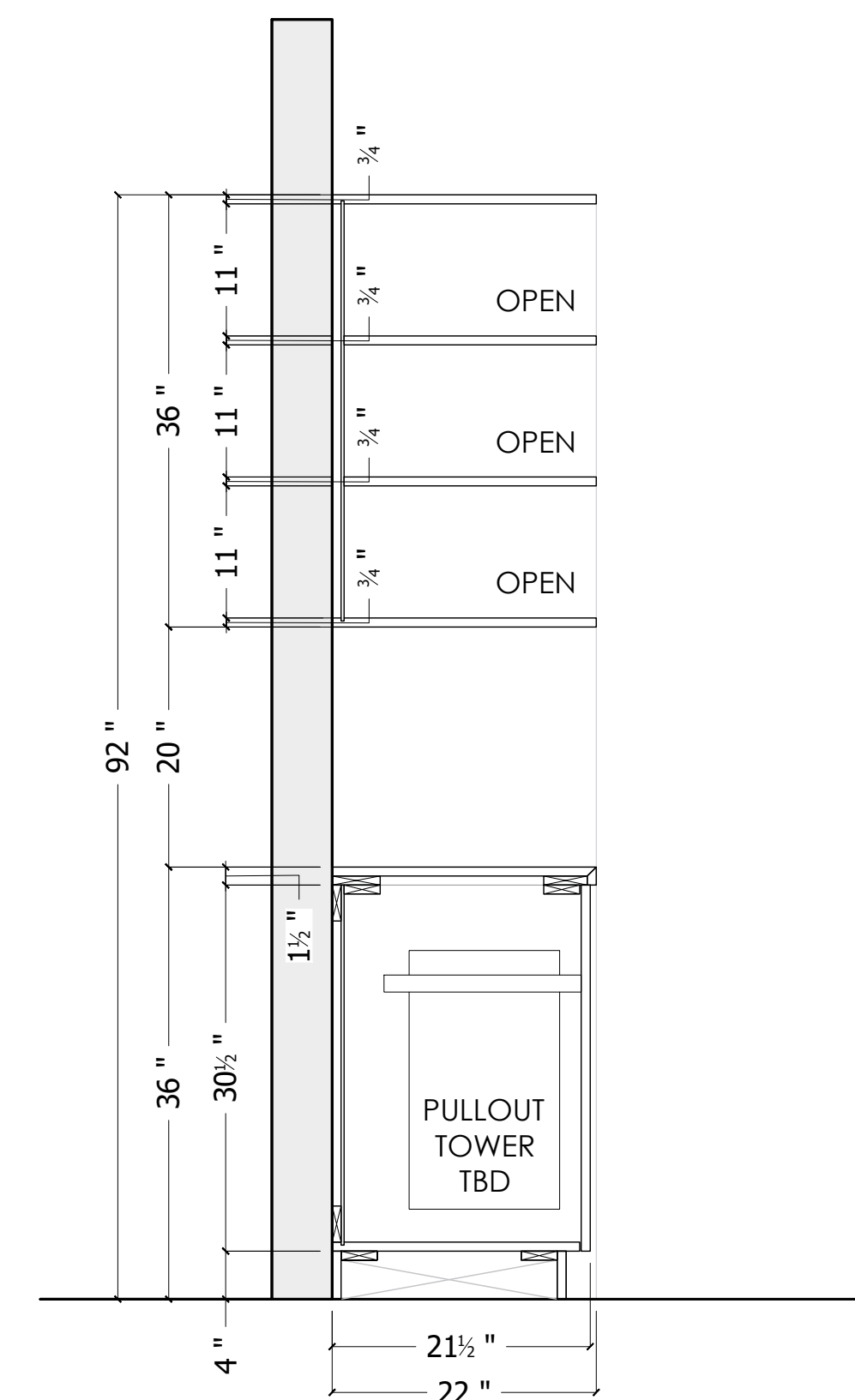
BOTTOM SECTION



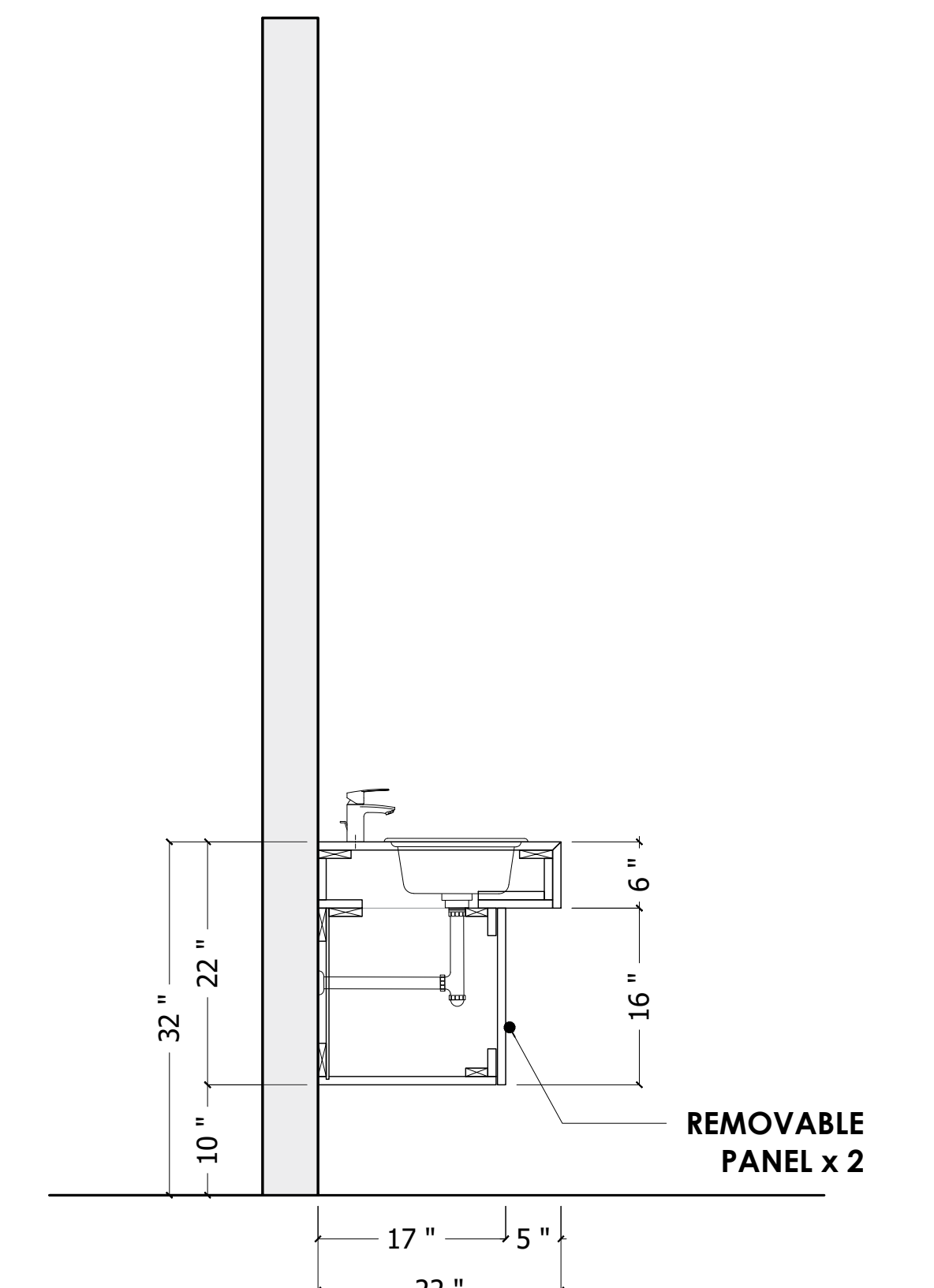
FRONT ELEVATION



SECTION



SECTION



SECTION

CAD Drafter
GRdesignLLC

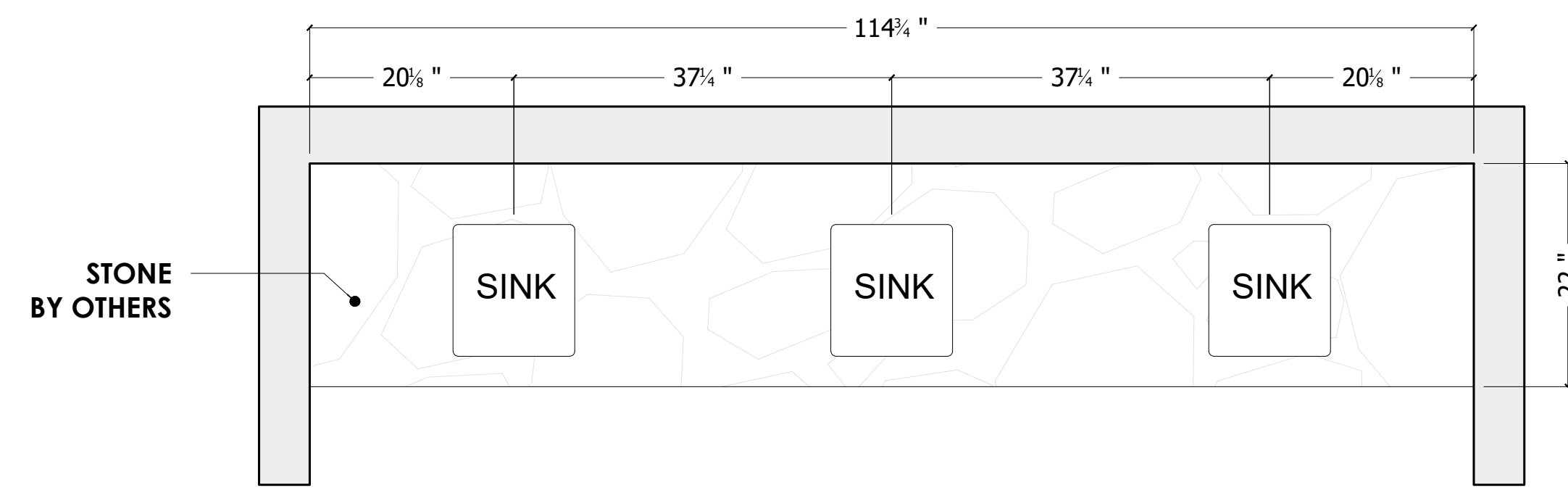
PROJECT:
XXXXXXXXXXXXXXXXXXXX

Finish: TBD
Interior: TBD
Exterior: TBD

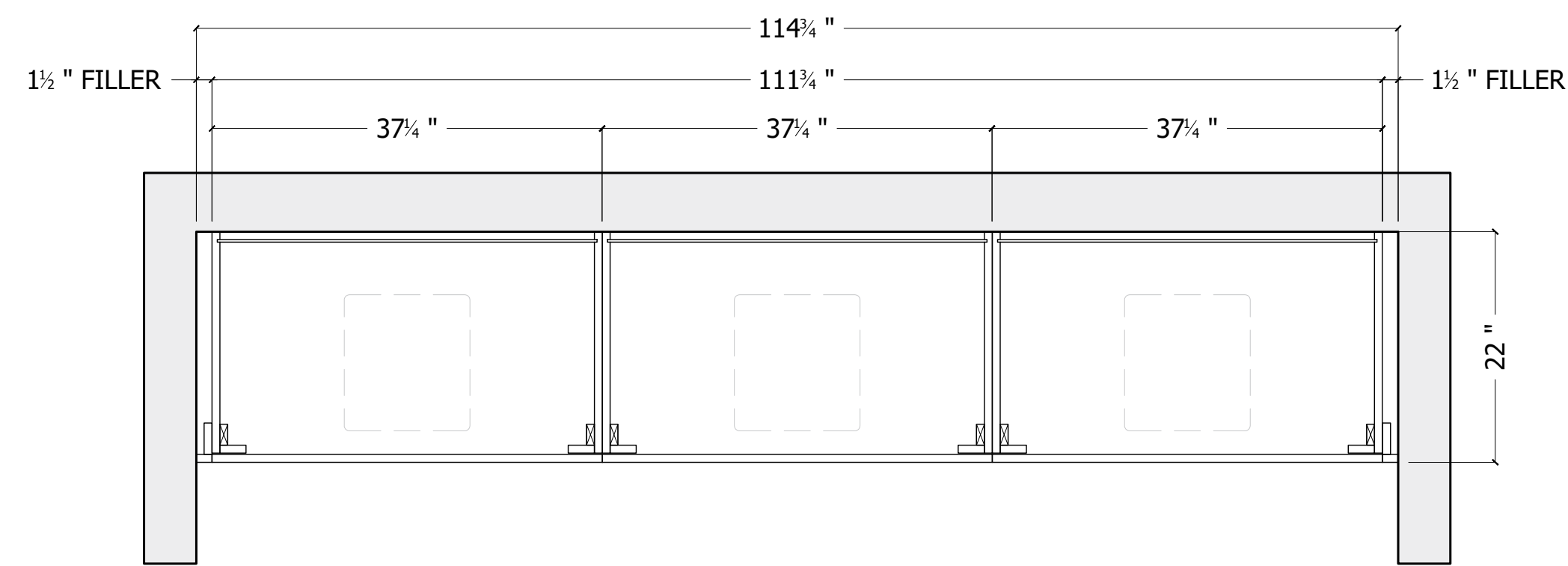
Hardware:
to be selected

MEN'S RESTROOM

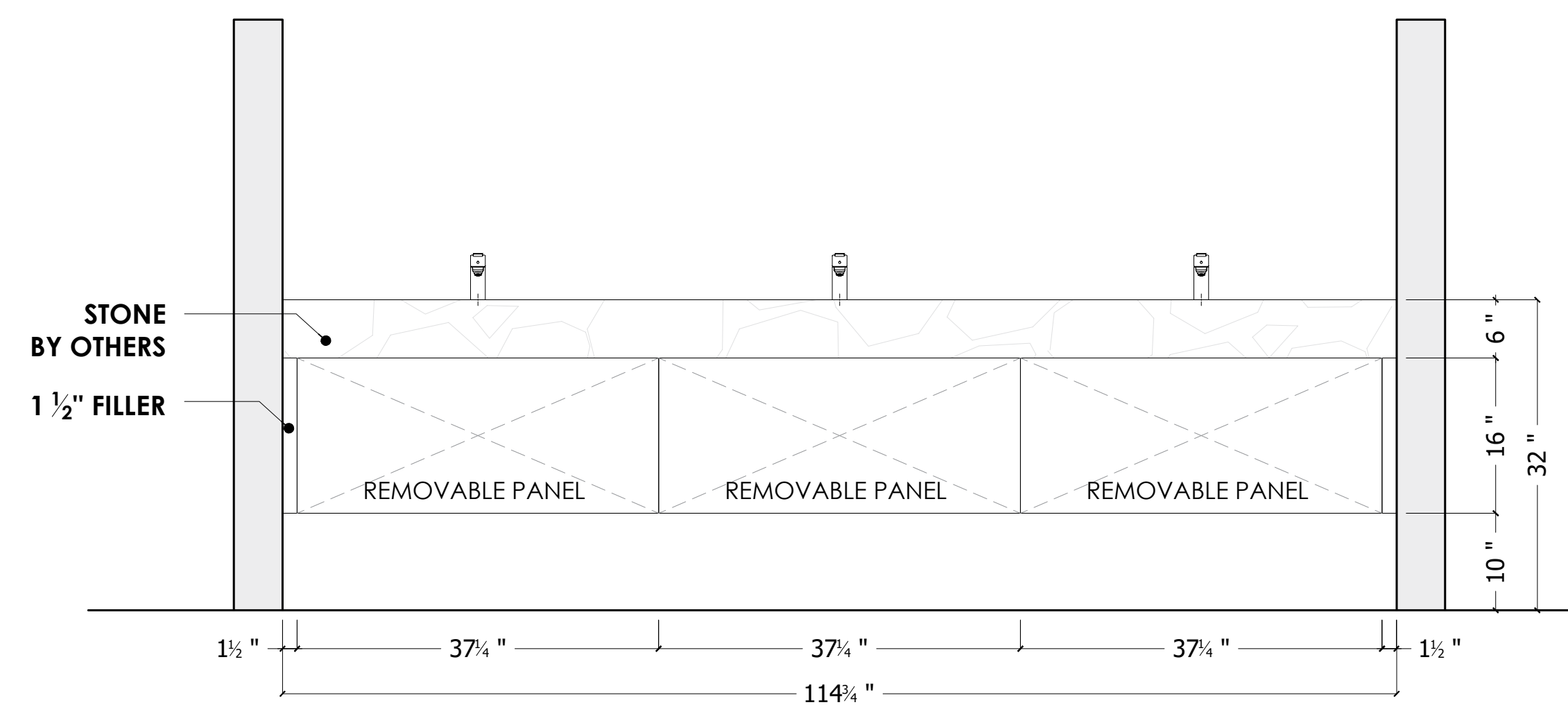
ESC. 7/8" = 1'0



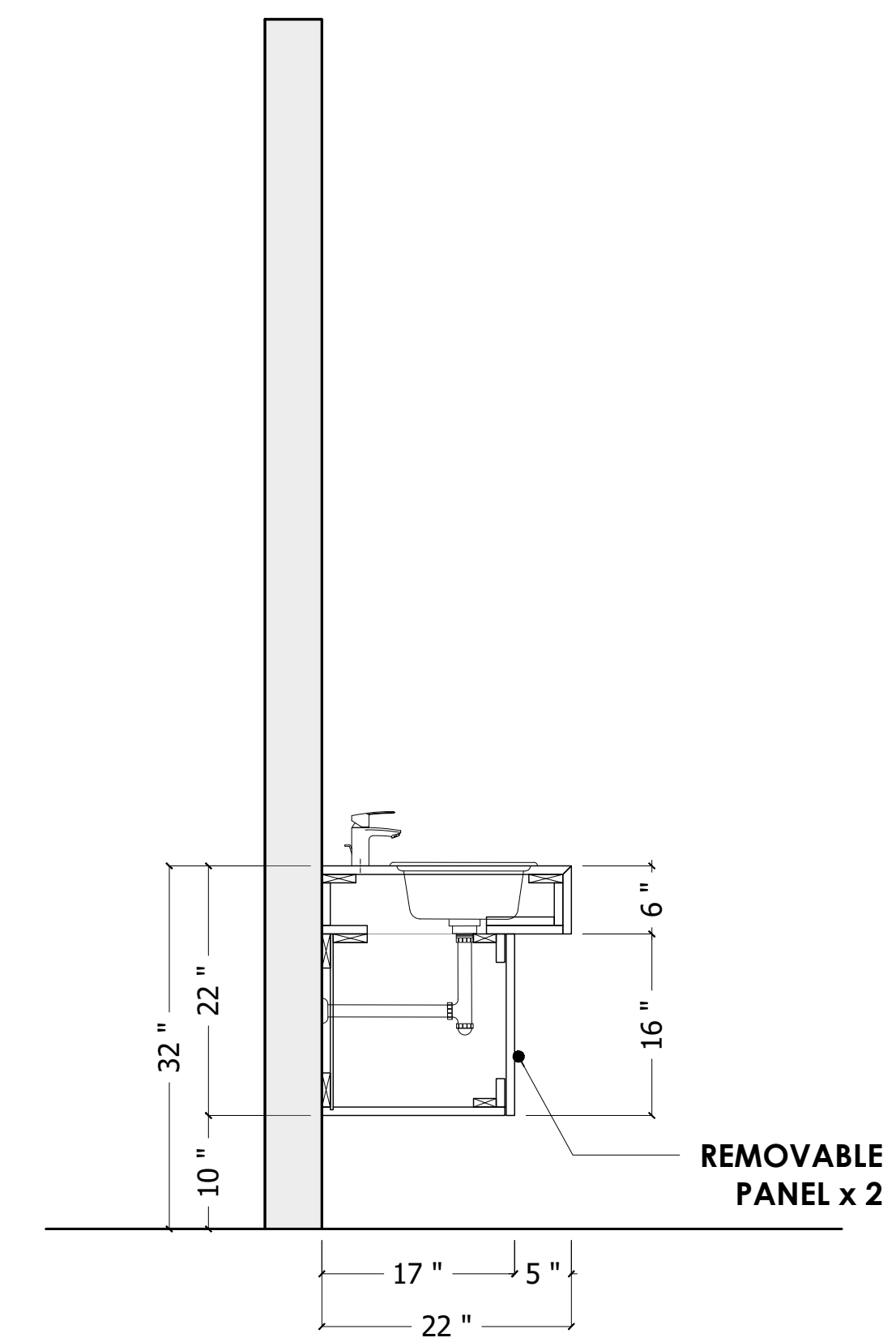
UPPER SECTION



BOTTOM SECTION



FRONT ELEVATION



SECTION

CAD Drafter
GRdesignLLC

PROJECT:
XXXXXXXXXXXXXXXXXXXX

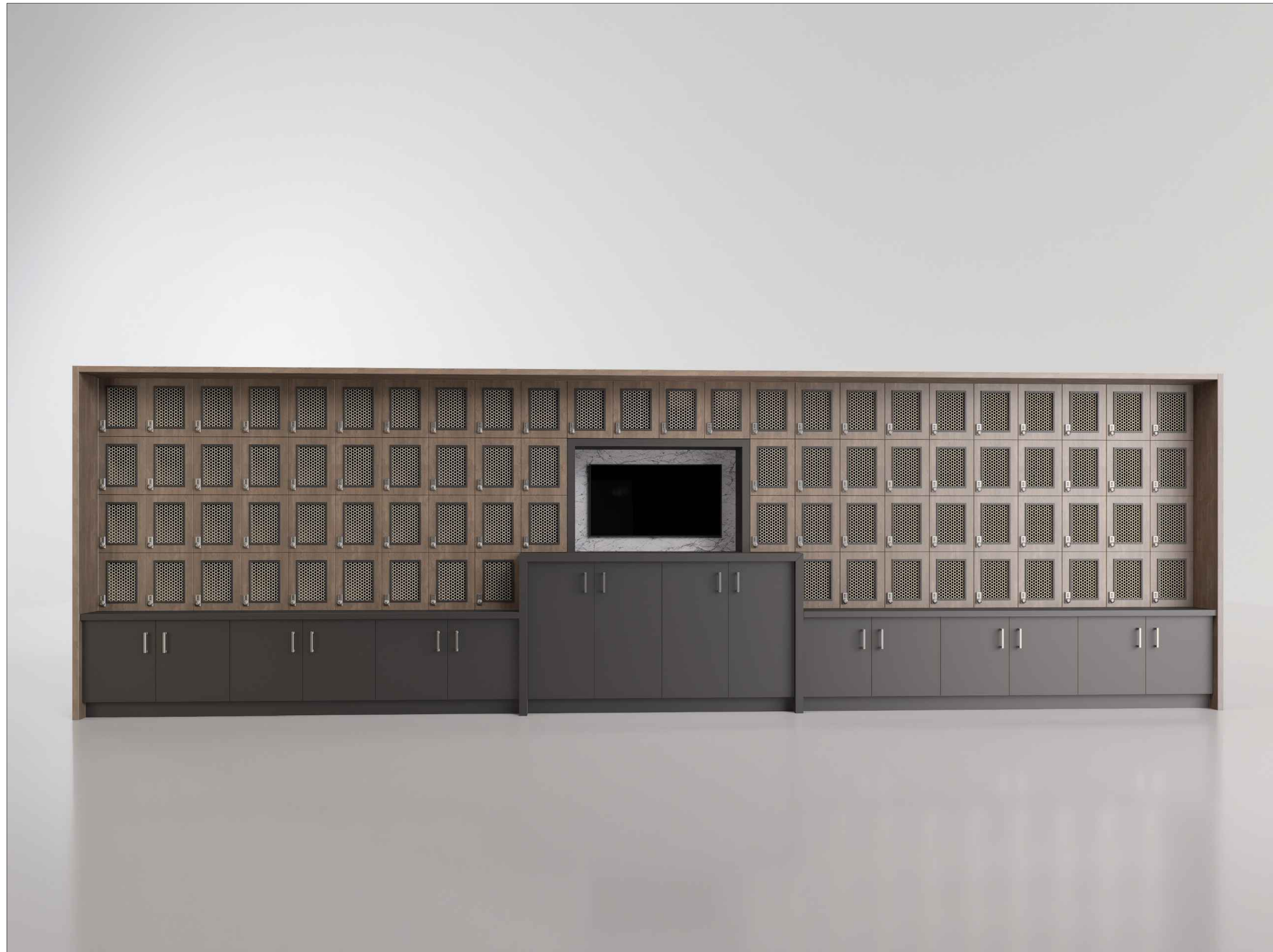
Finish: TBD
Interior: TBD
Exterior: TBD

Hardware:
to be selected

MEN'S RESTROOM

ESC. 7/8" = 1'0

	BLACK 1595-60 MATTER FINISH
	STICKLEY OAK 17003K 57 ALIGNED TEXTURE



CAD Drafter
GRdesignLLC

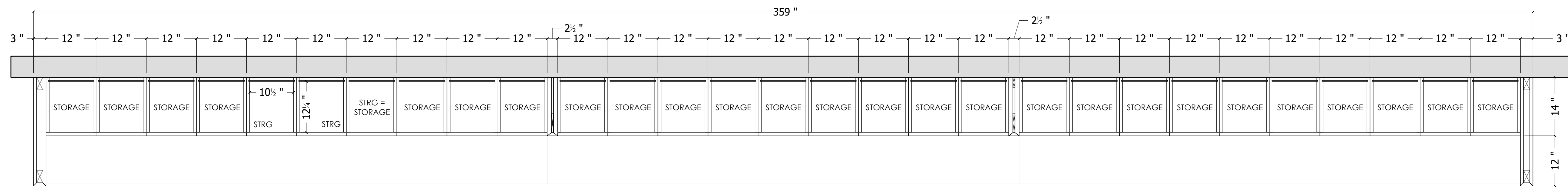
PROJECT:
XXXXXXXXXXXXXXXXXXXX

Finish: Matte
Interior: white
Exterior: stickley oak 17003k 57
aligned texture and black 1595-60
matter finish

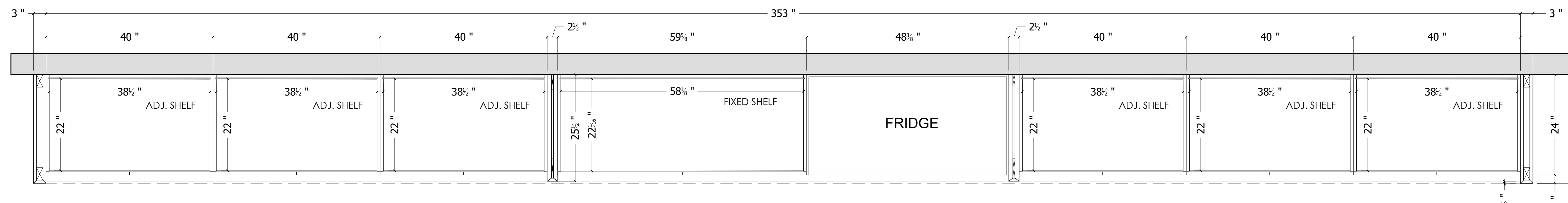
Hardware:
to be selected

SMOKING LOUNGE
BACK BAR

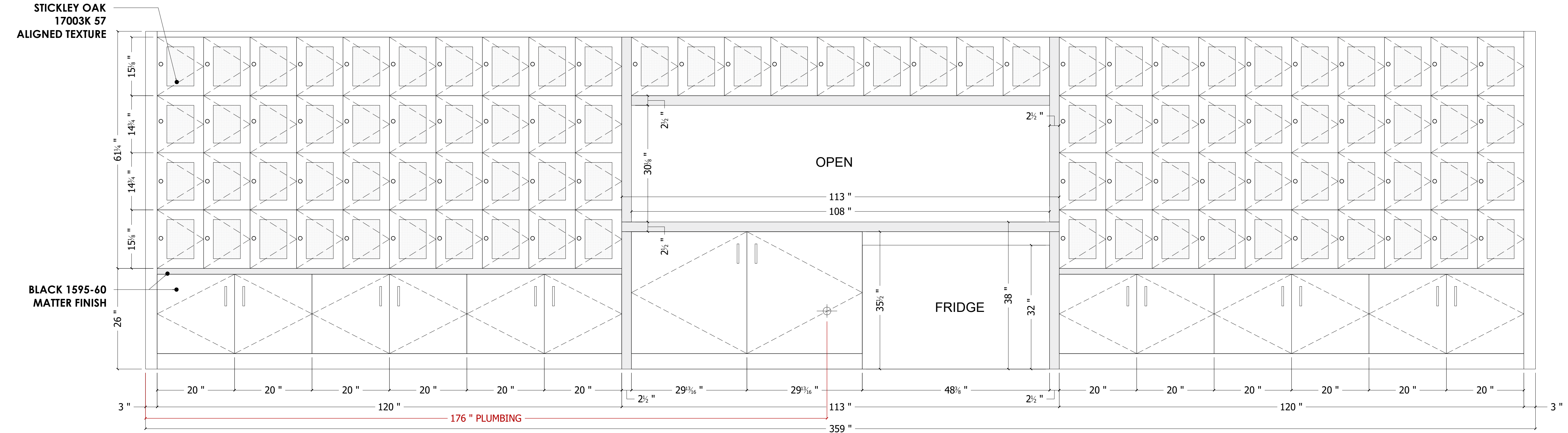
ESC. 7/8" = 1'0



UPPER SECTION



BOTTOM SECTION



FRONT ELEVATION

CAD Drafter
GRdesignLLC

PROJECT:
XXXXXXXXXXXXXXXXXXXX

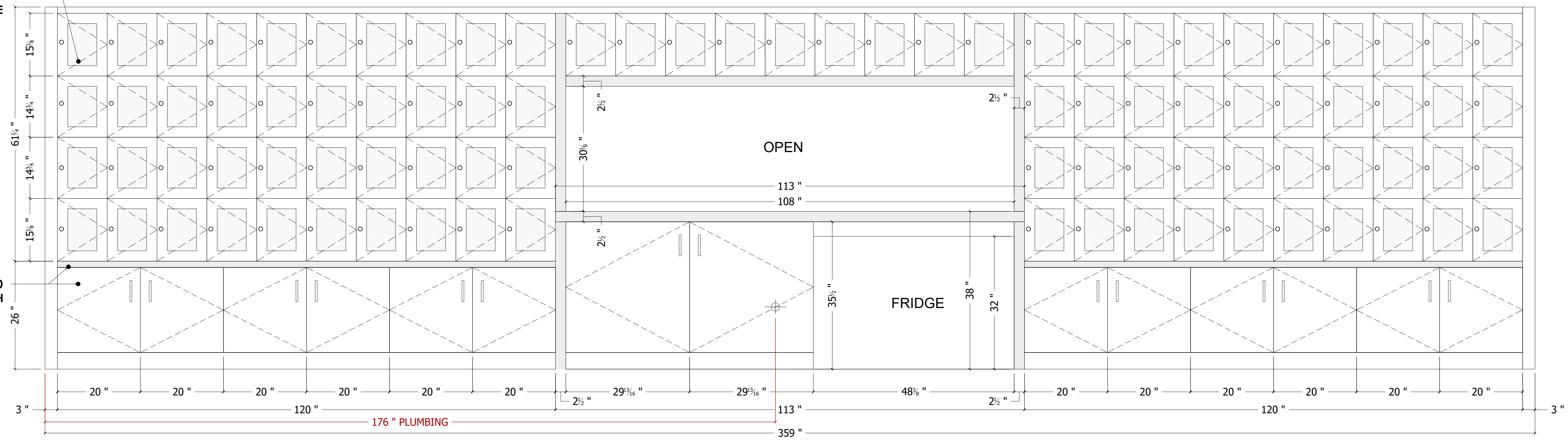
Finish: Matte
Interior: White
Exterior: stickley oak 17003k 57
aligned texture and black 1595-60
matter finish

Hardware:
to be selected

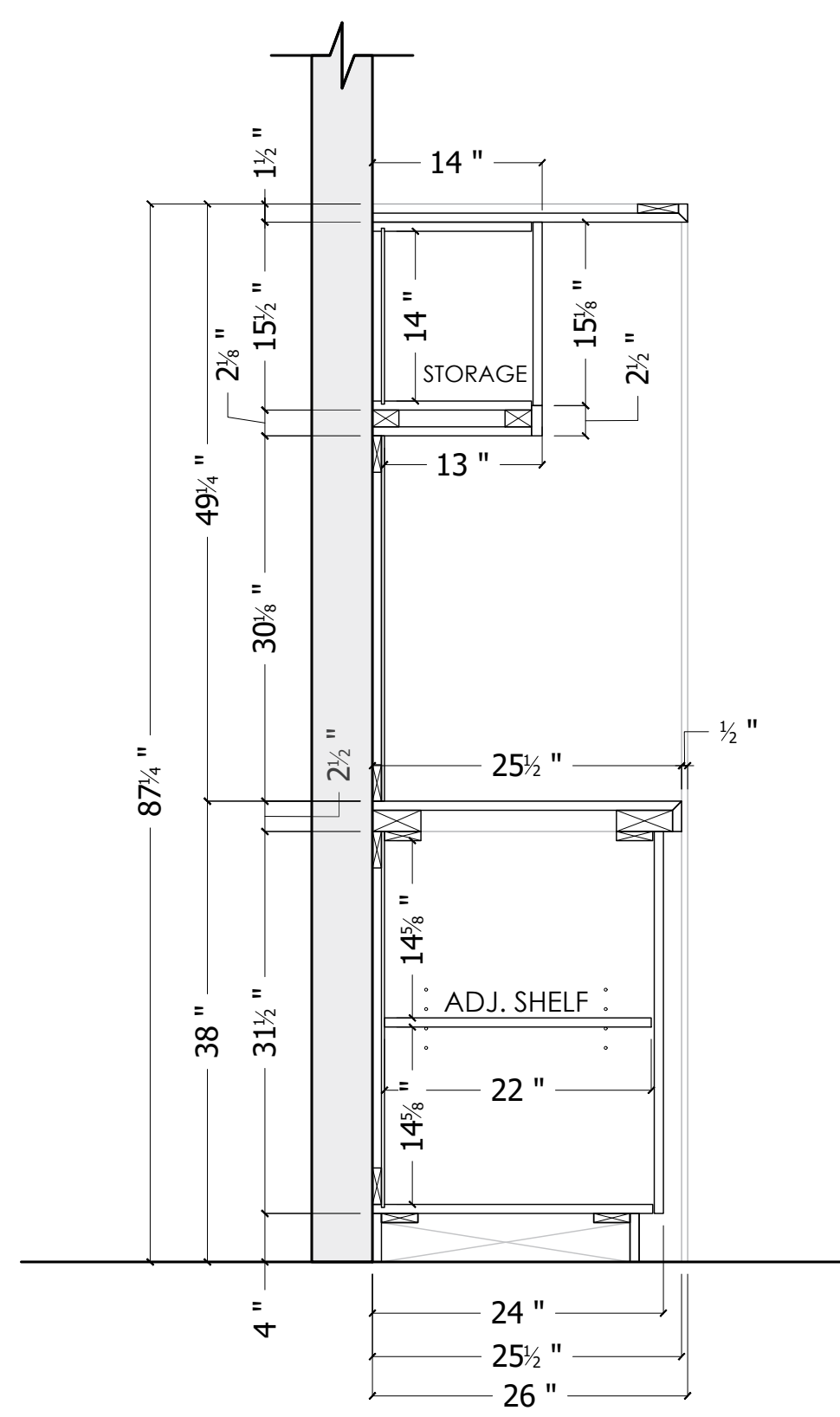
NON SMOKING LOUNGE
Pag #1 of 2

STICKLEY OAK
17003K 57
ALIGNED TEXTURE

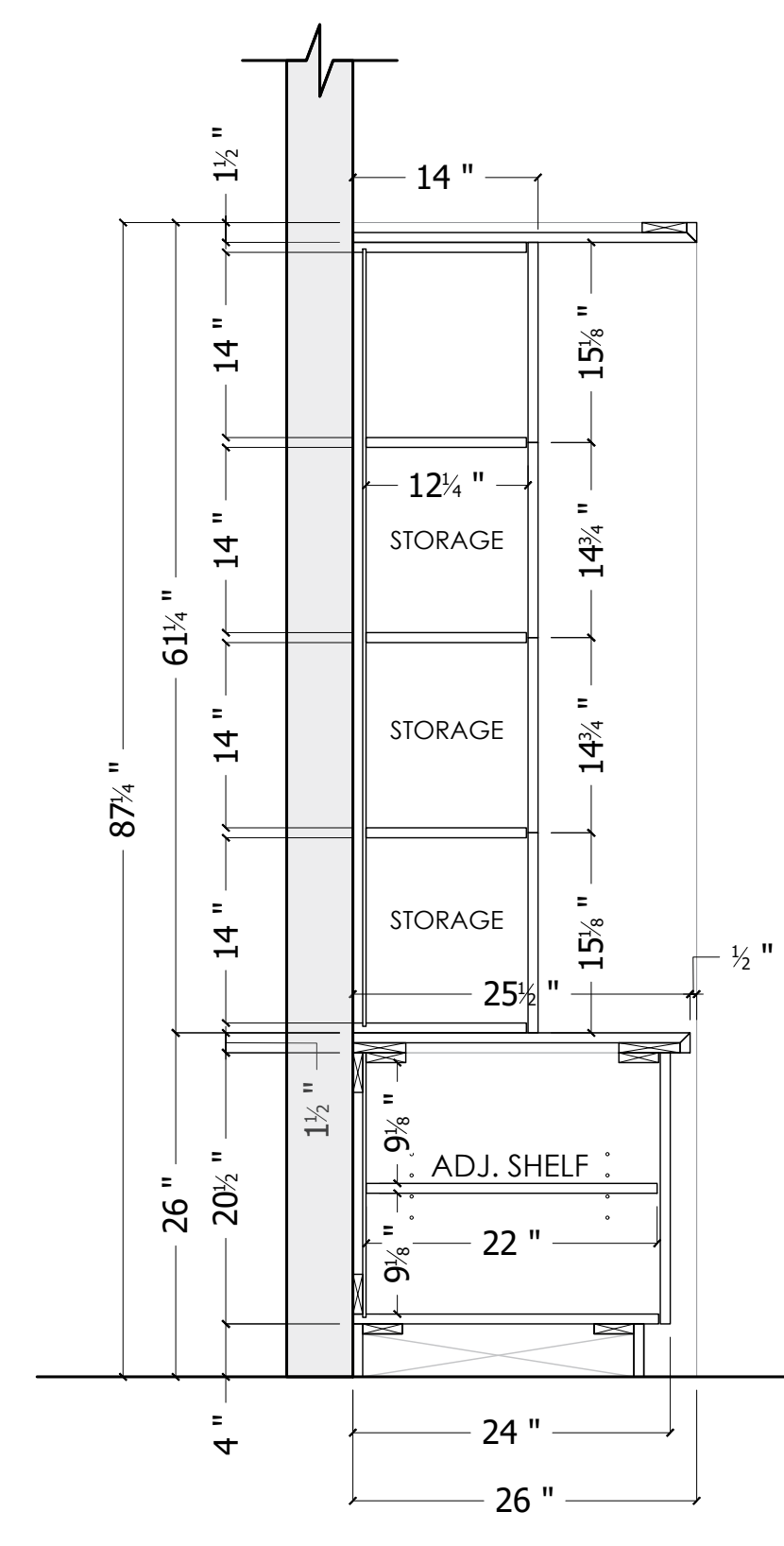
BLACK 1595-60
MATTER FINISH



FRONT ELEVATION



SECTION



SECTION

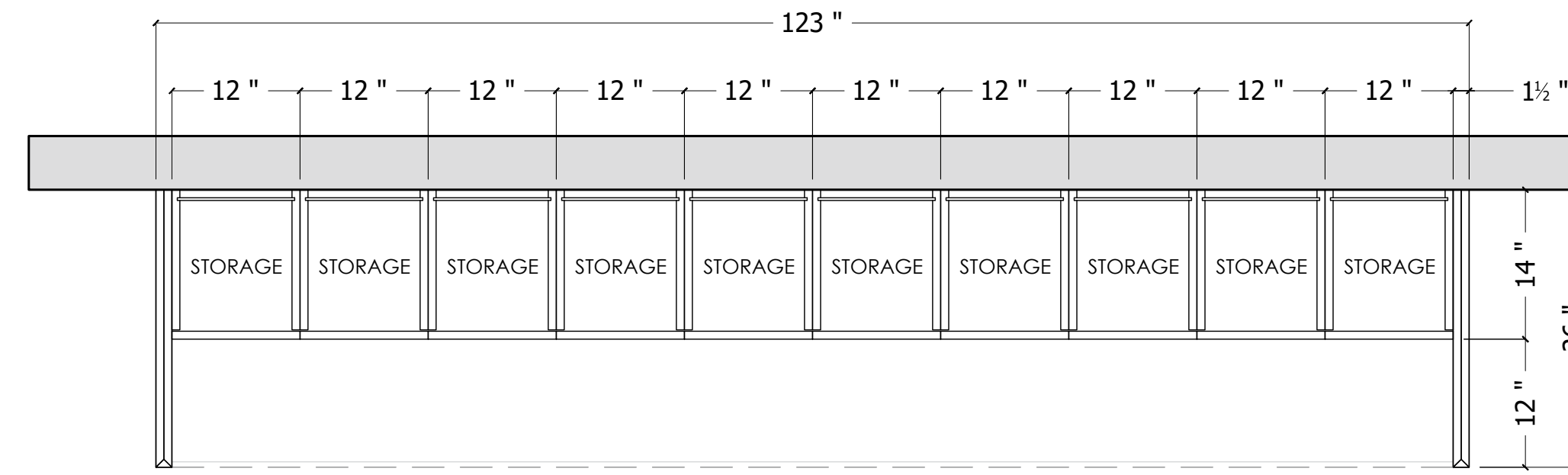
CAD Drafter
GRdesignLLC

PROJECT:
XXXXXXXXXXXXXXXXXXXX

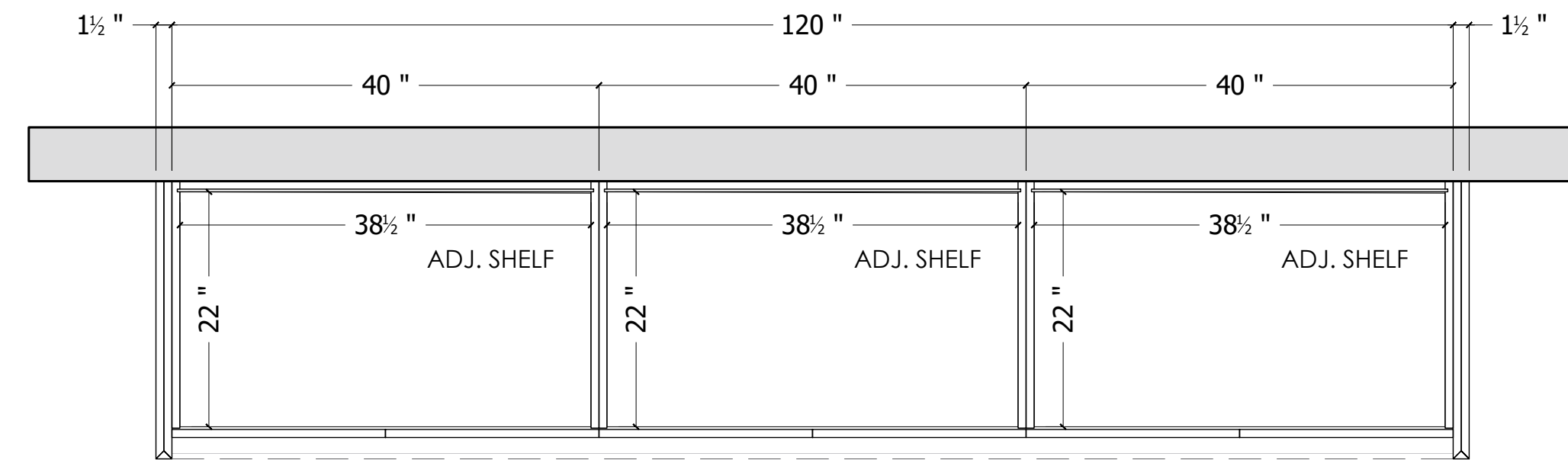
Finish: Matte
Interior: White
Exterior: stickley oak 17003k 57
aligned texture and black 1595-60
matter finish

Hardware:
to be selected

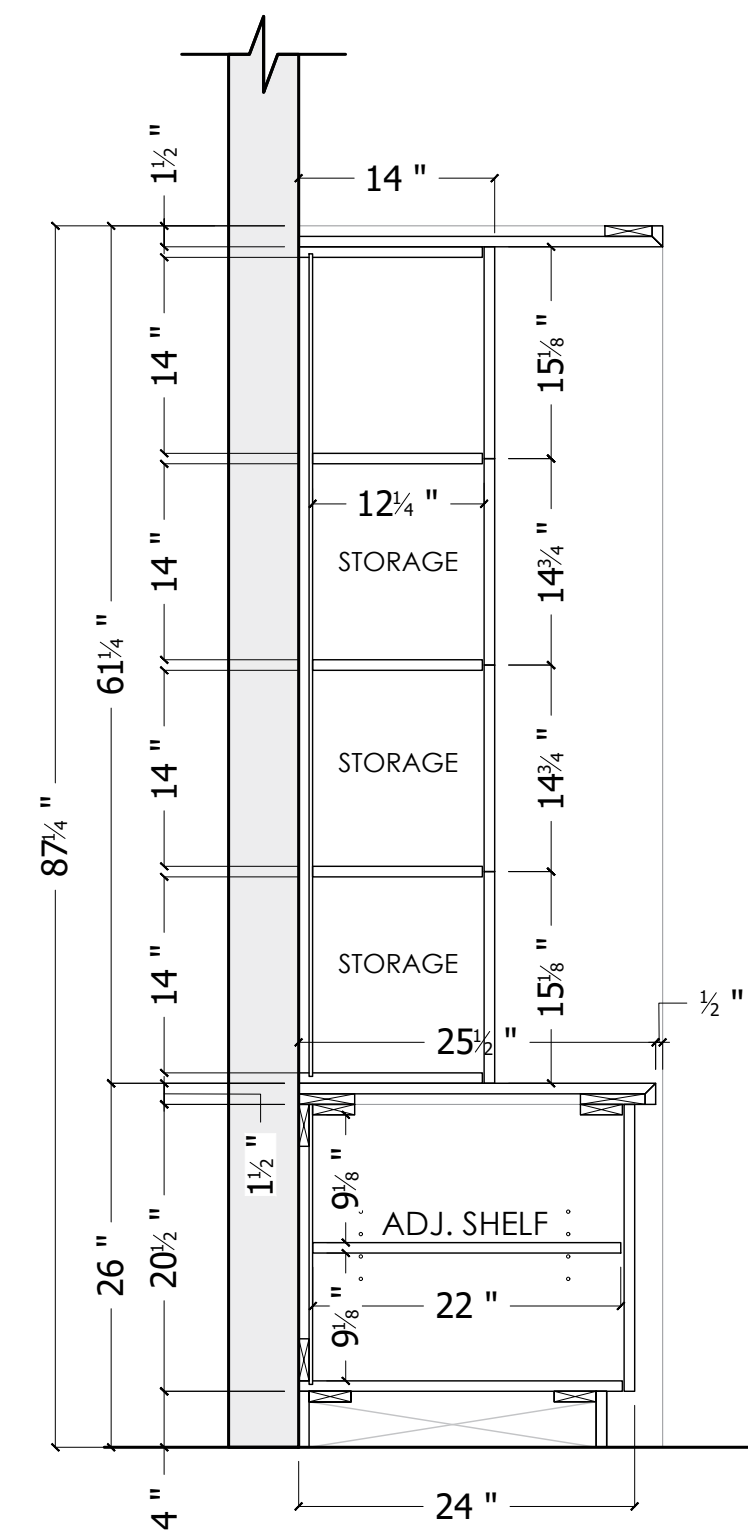
NON SMOKING LOUNGE
Pag #2 of 2



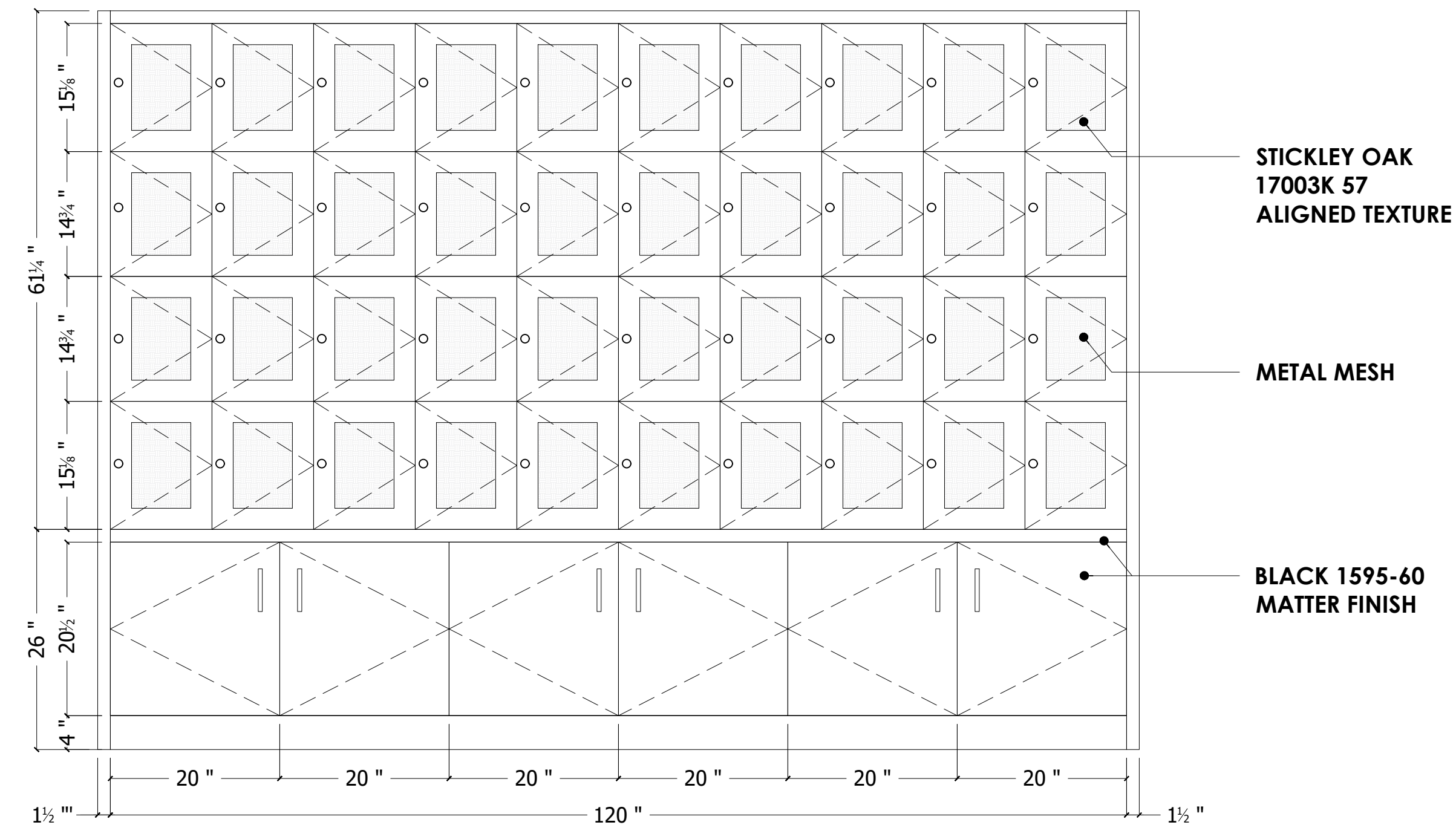
UPPER SECTION



BOTTOM SECTION



SECTION



FRONT ELEVATION

STICKLEY OAK
17003K 57
ALIGNED TEXTURE

METAL MESH

BLACK 1595-60
MATTER FINISH

CAD Drafter
GRdesignLLC

PROJECT:
XXXXXXXXXXXXXXXXXXXX

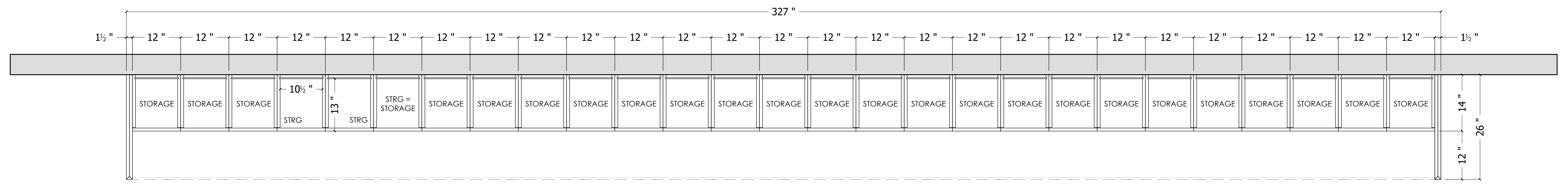
Finish: Matte
Interior: White
Exterior: stickley oak 17003k 57
aligned texture and black 1595-60
matter finish

Hardware:
to be selected

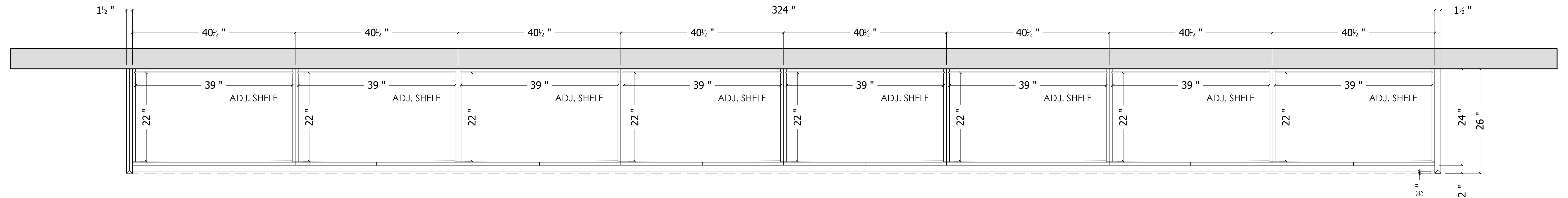
COFFEE MESS BACK WALL

ESC. 7/8" = 1'0

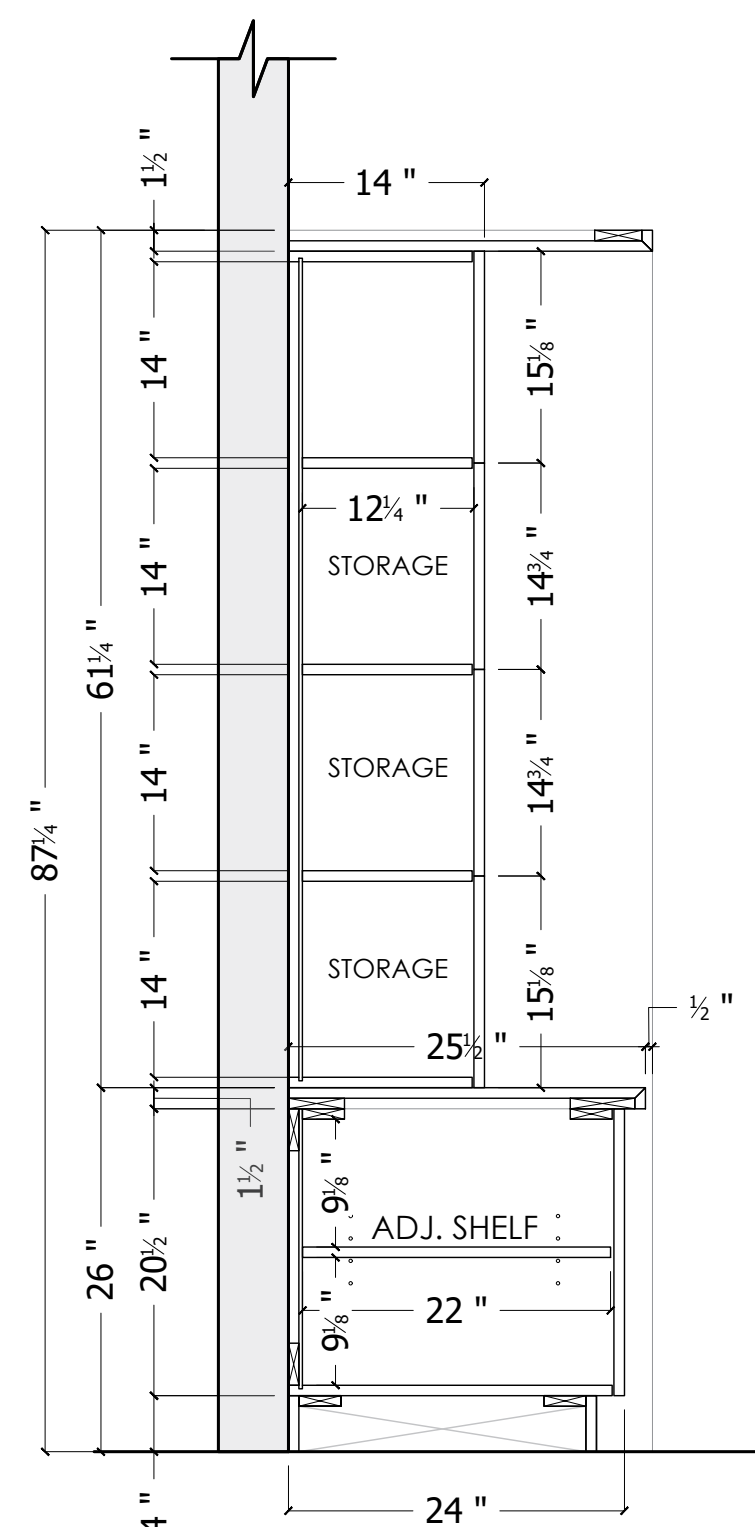
	BLACK 1595-60 MATTER FINISH
	STICKLEY OAK 17003K 57 ALIGNED TEXTURE



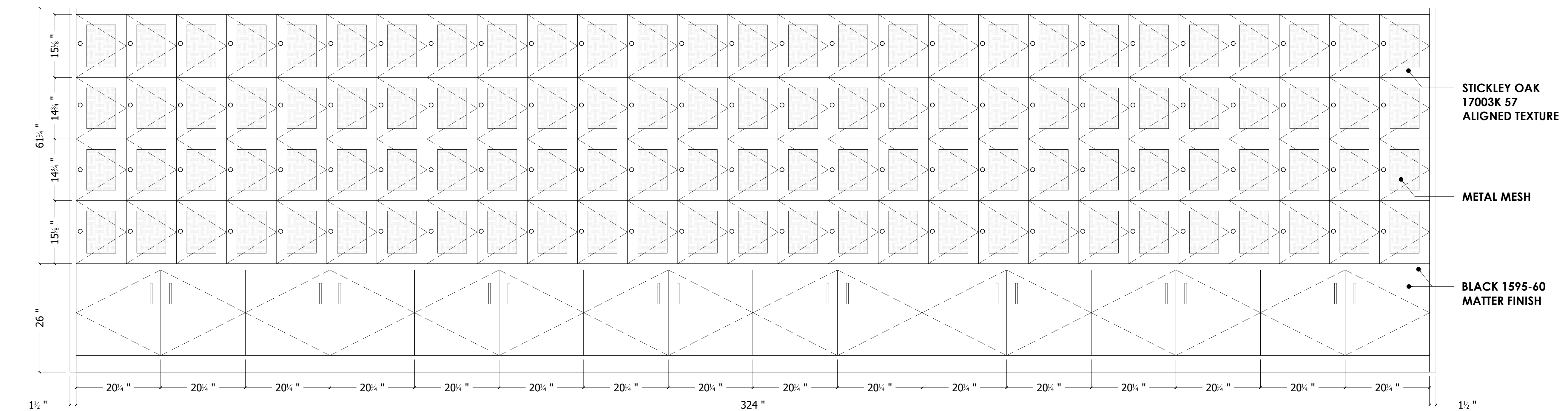
UPPER SECTION



BOTTOM SECTION



SECTION



FRONT ELEVATION

CAD Drafter
GRdesignLLC

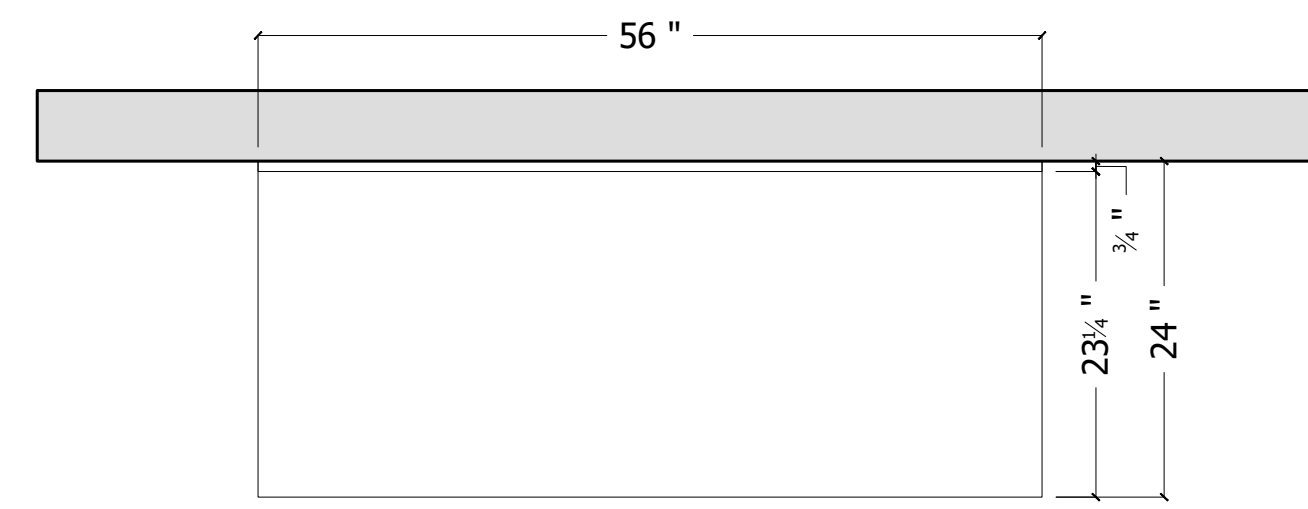
PROJECT:
XXXXXXXXXXXXXXXXXXXX

Finish: Matte
Interior: White
Exterior: stickley oak 17003k 57
aligned texture and black 1595-60
matter finish

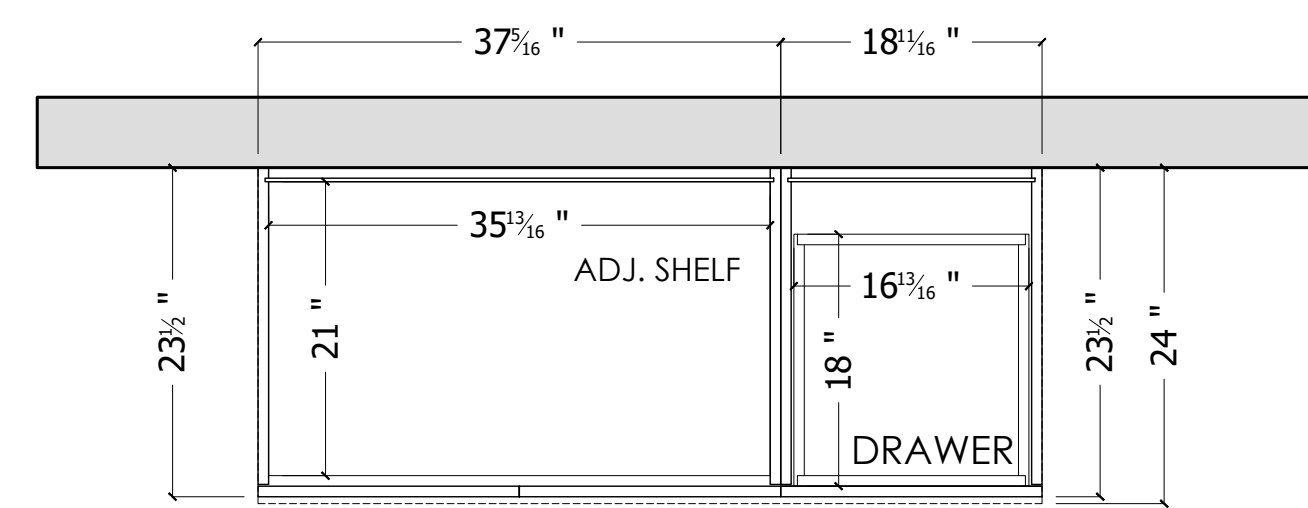
Hardware:
to be selected

SMOKING LOUNGE
SOUTH WALL

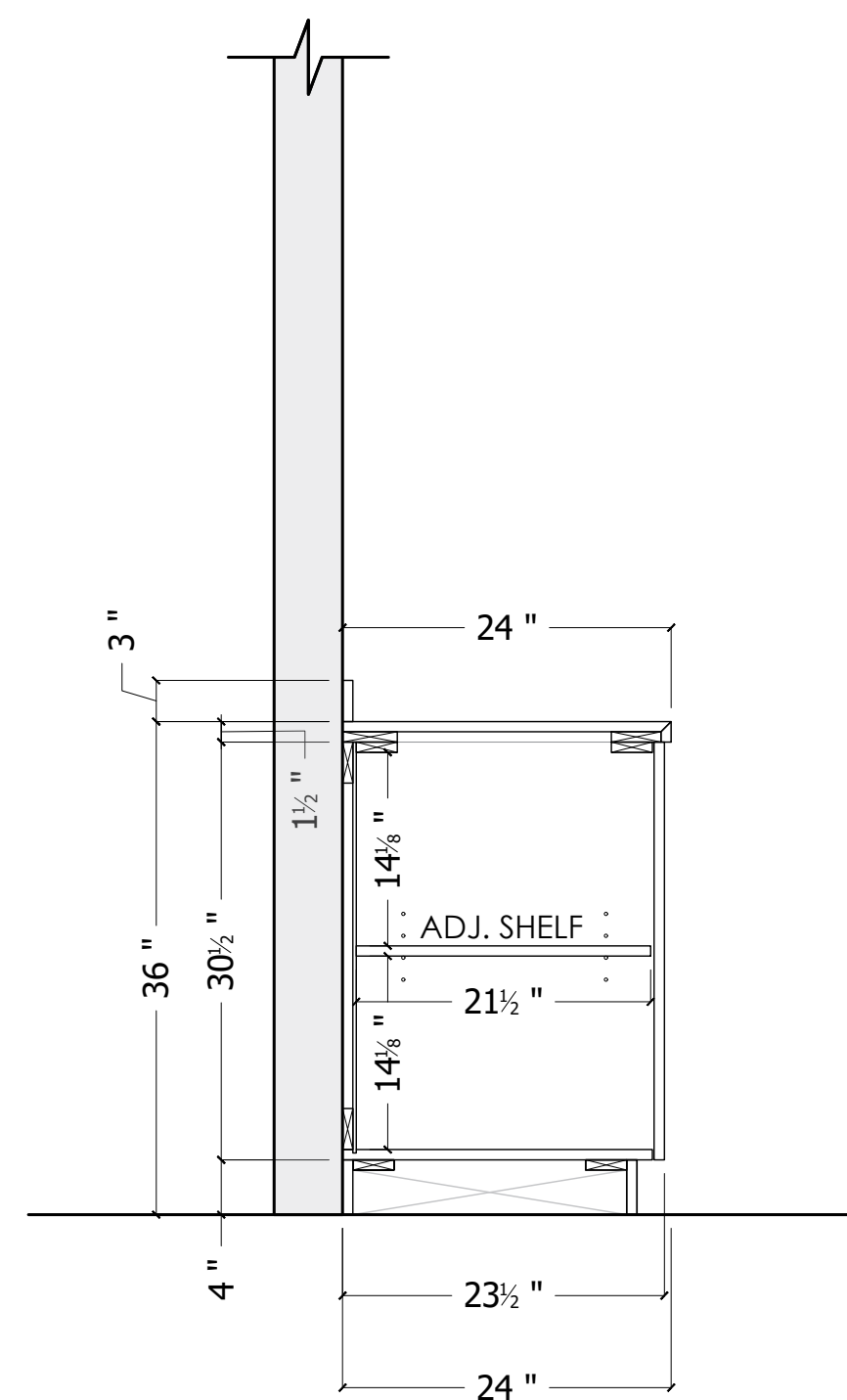
ESC. 7/8" = 1'0



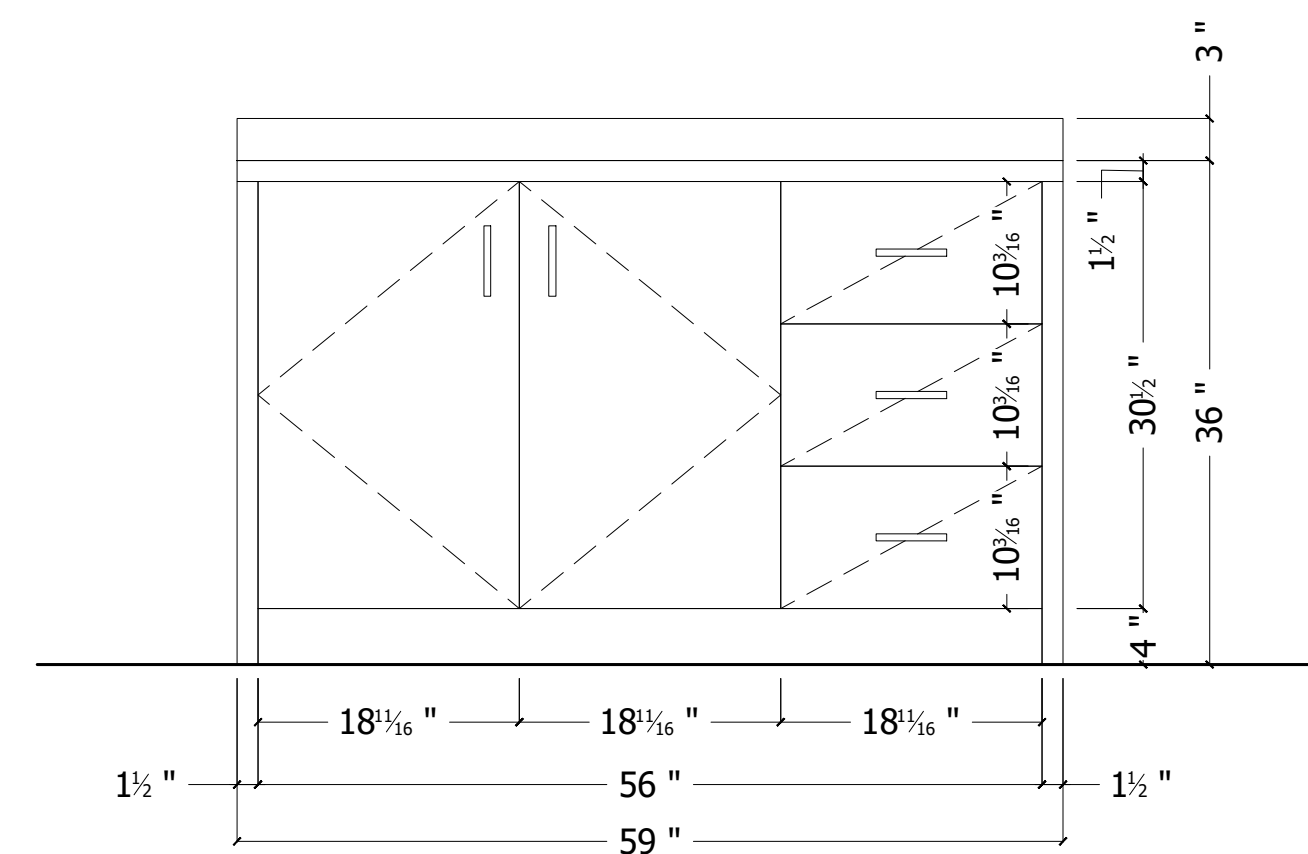
UPPER SECTION



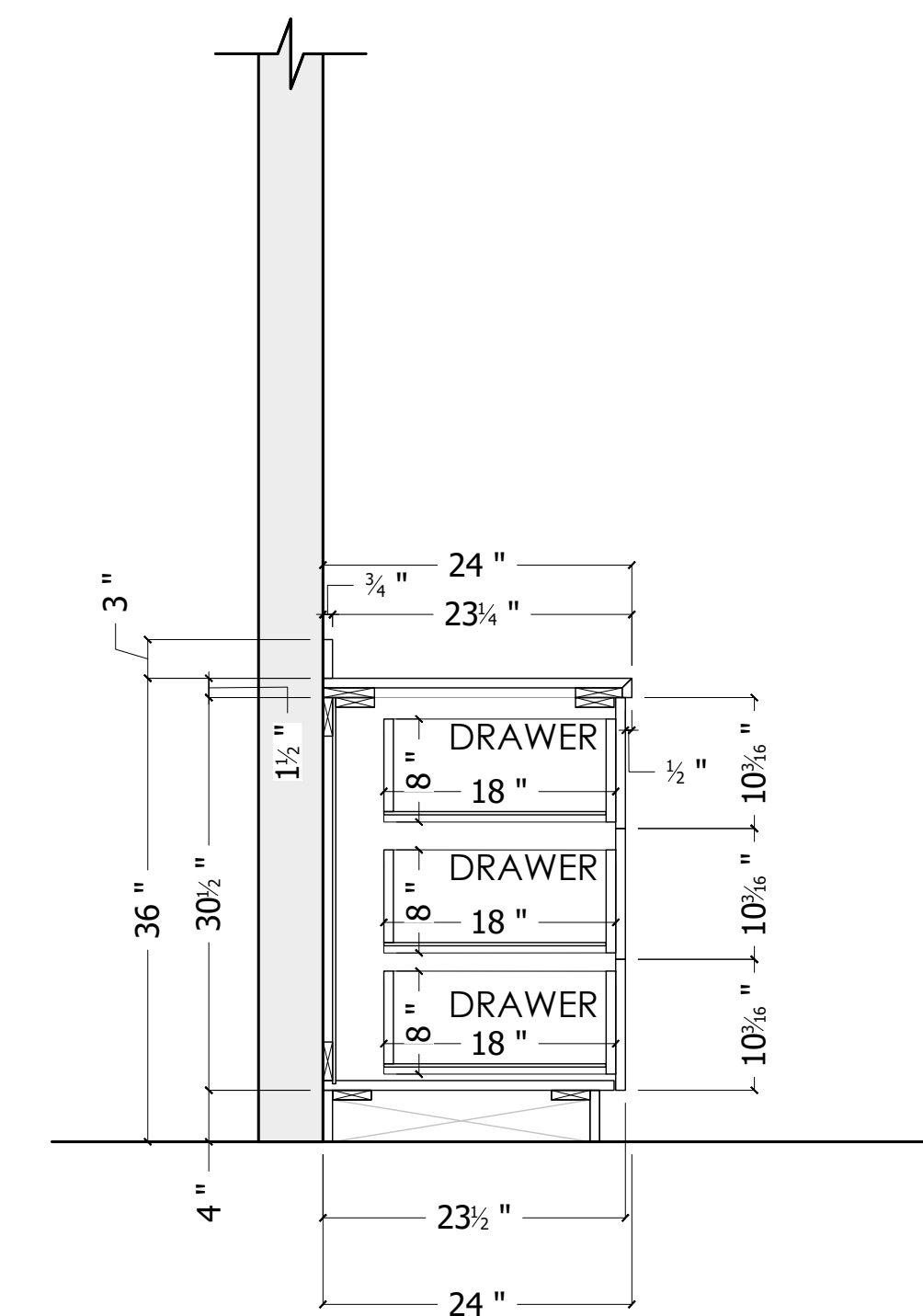
BOTTOM SECTION



SECTION



FRONT ELEVATION



SECTION

CAD Drafter
GRdesignLLC

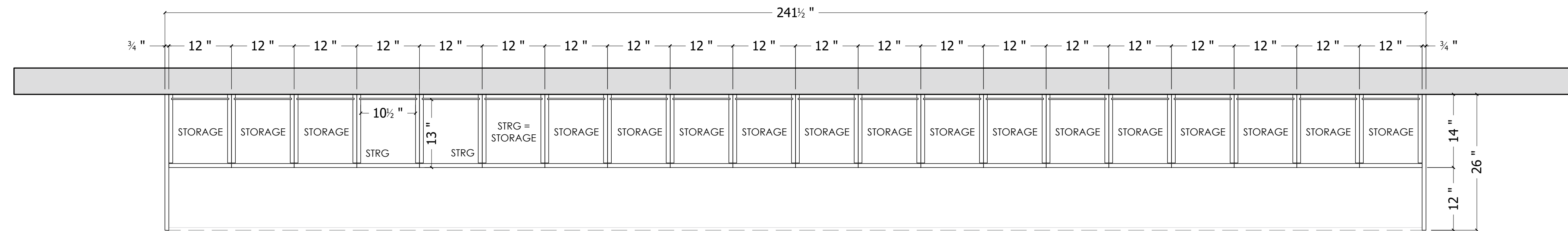
PROJECT:
XXXXXXXXXXXXXXXXXXXX

Finish: TBD
Interior: TBD
Exterior: TBD

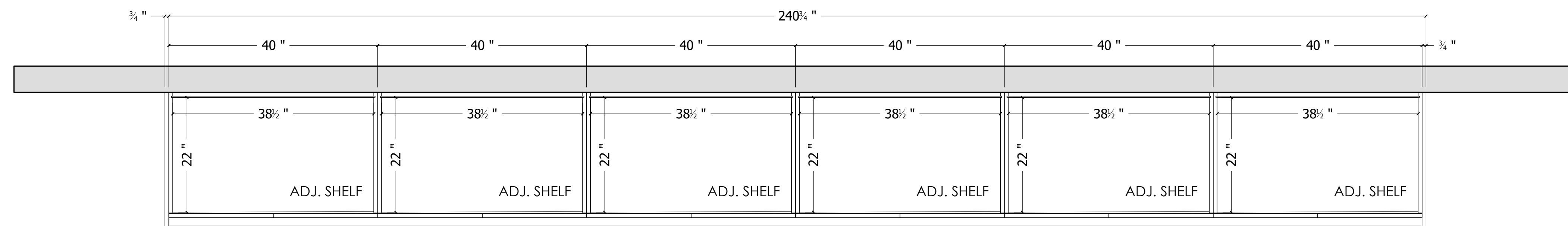
Hardware:
to be selected

GUN RANGE

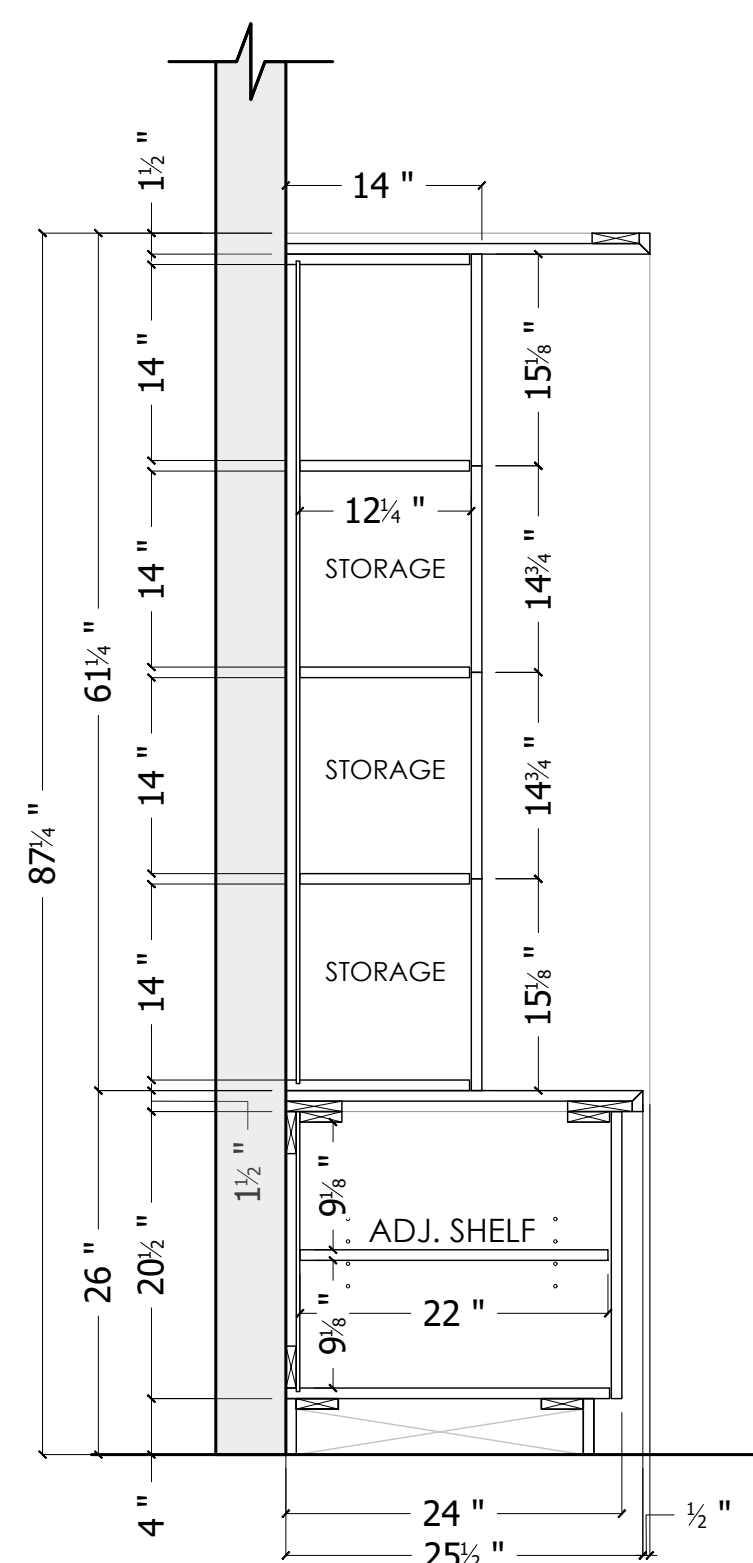
ESC. 7/8" = 1'0



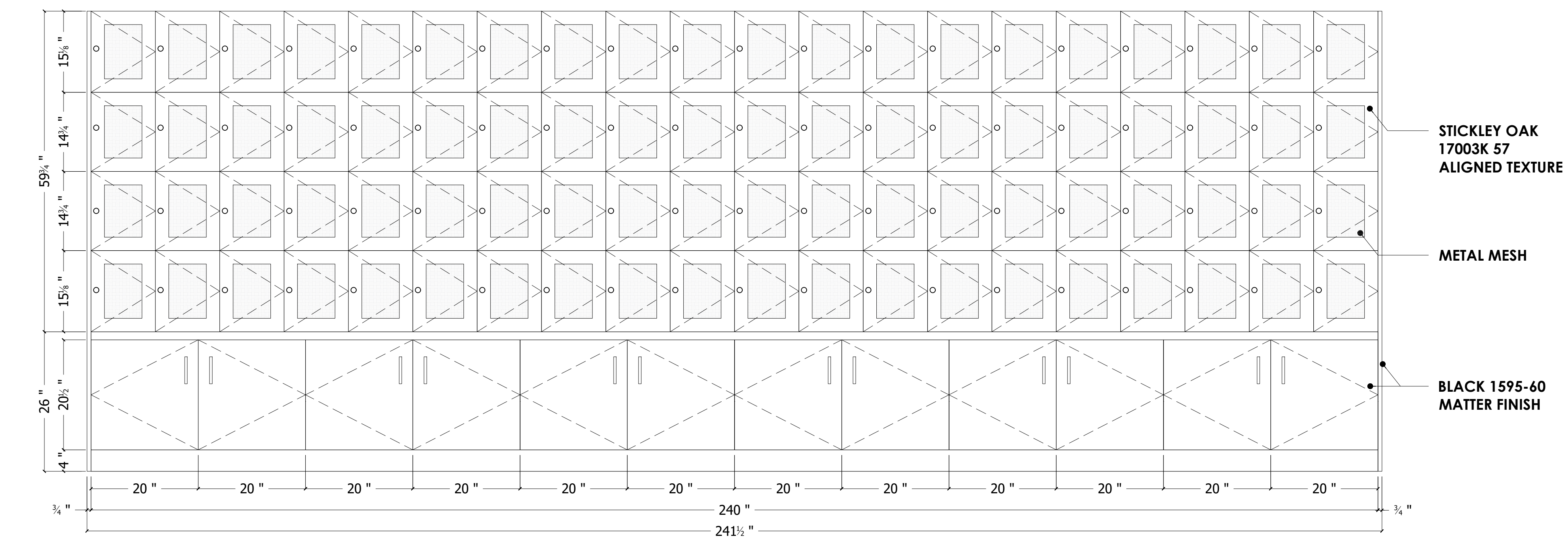
UPPER SECTION



BOTTOM SECTION



SECTION



FRONT ELEVATION

CAD Drafter
GRdesignLLC

PROJECT:
XXXXXXXXXXXXXXXXXXXX

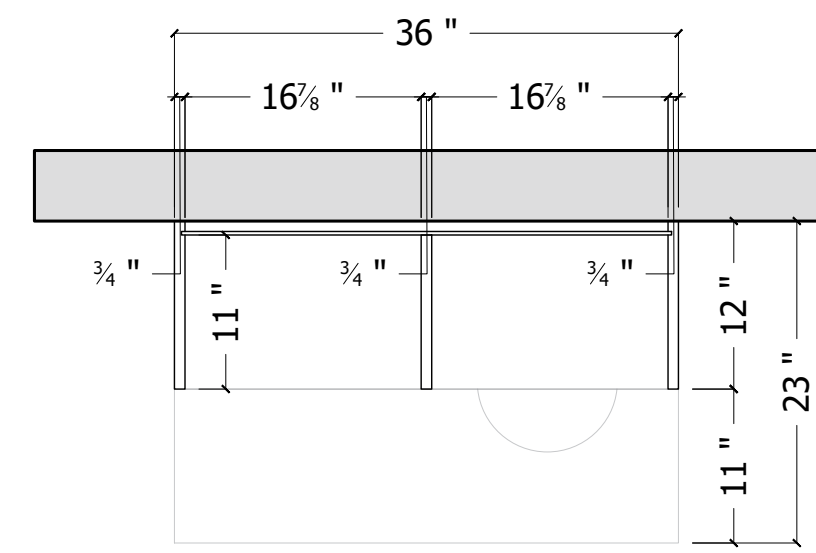
Finish: Matte
Interior: White

Exterior: stickley oak 17003k 57
aligned texture and black 1595-60
matter finish

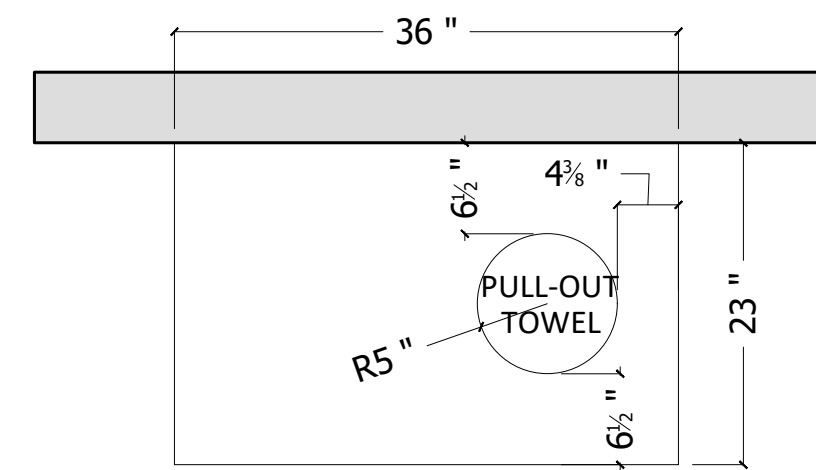
Hardware:
to be selected

NON SMOKING LOUNGE

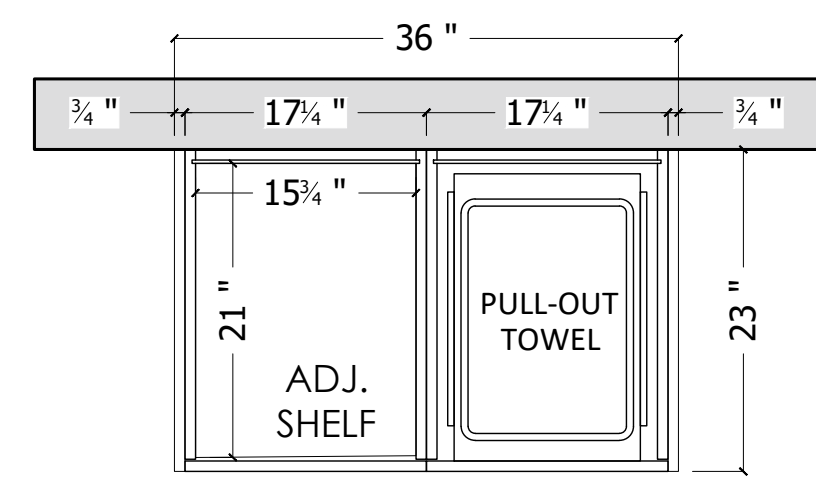
ESC. 7/8" = 1'0



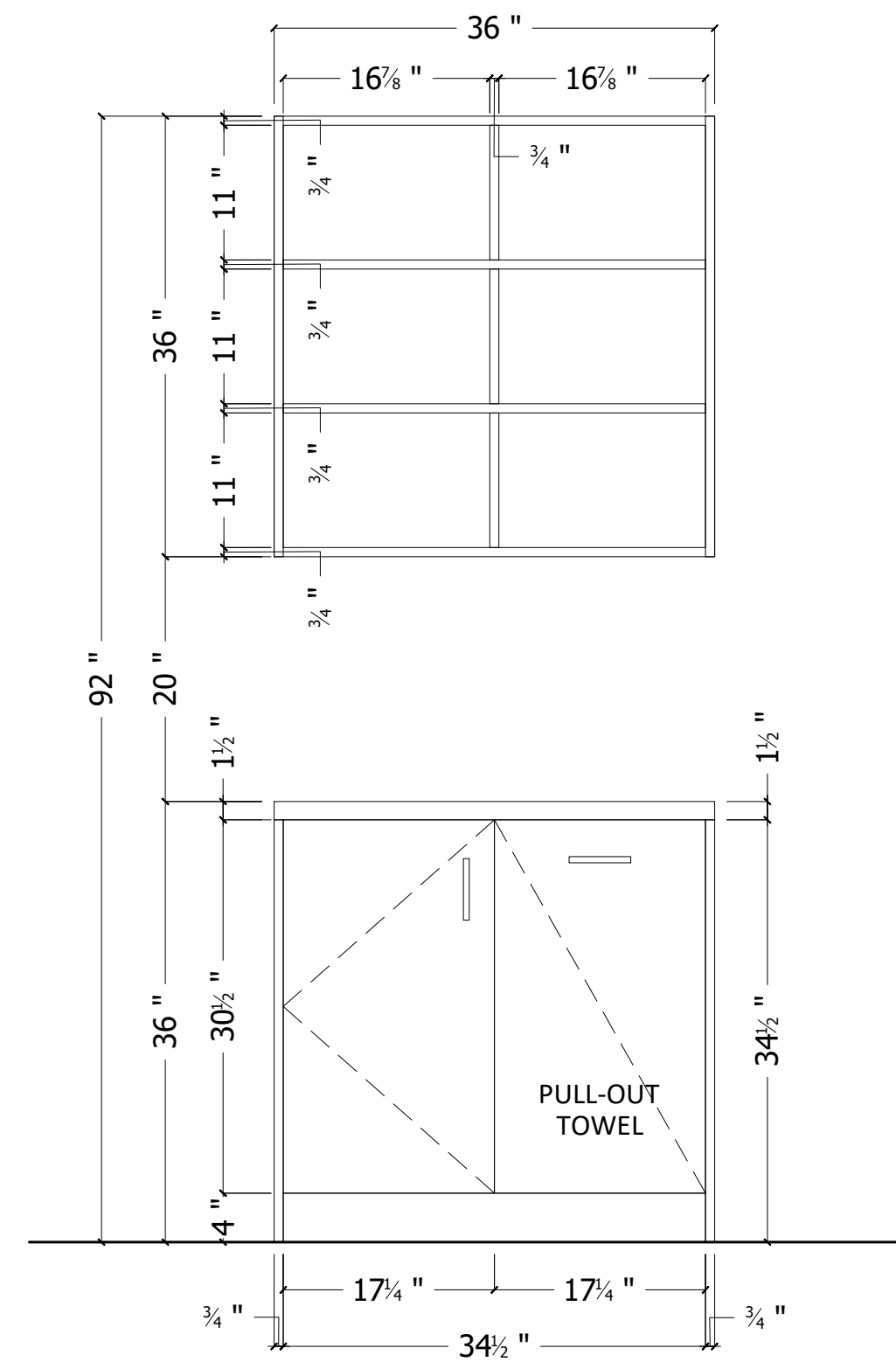
UPPER SECTION



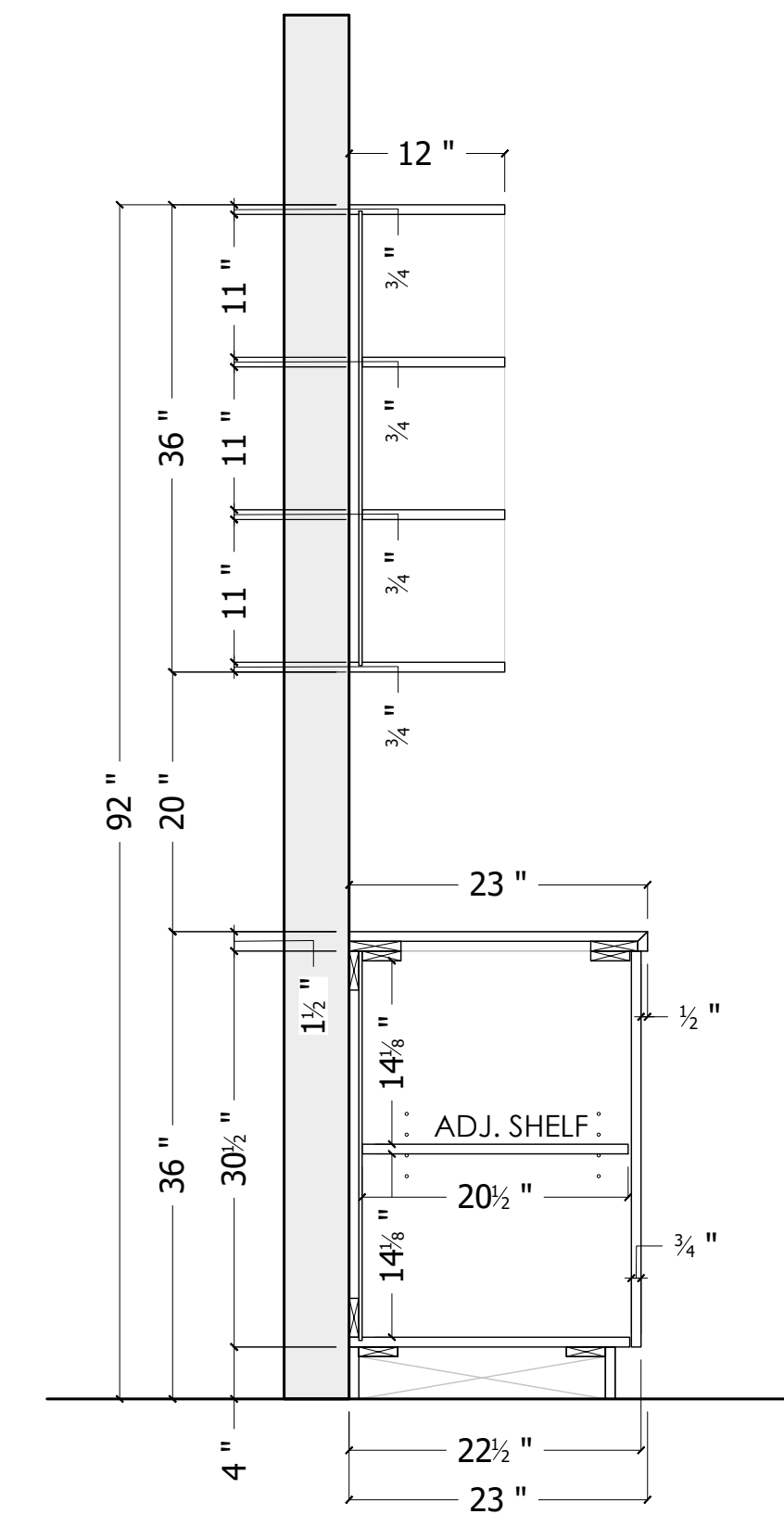
CUT IN THE MIDDLE



BOTTOM SECTION



FRONT ELEVATION



SECTION

CAD Drafter
GRdesignLLC

PROJECT:
XXXXXXXXXXXXXXXXXXXX

Finish: Matte
Interior: White
Exterior: stickley oak 17003k 57
aligned texture and black 1595-60
matter finish

Hardware:
to be selected

WOMAN'S BATH

ESC. 7/8" = 1'0